



931243-00

# 6114/6114DS

# VON DUPRIN

Electric Strike, Single Door Rim Night Latch Application

Installation Instructions

Note: Check with factory for retrofit applications.

1. For lock or device preparation, see their directions.
2. Prepare frame for strike (see other side).
3. Wire strike (Figure 1). (Switches on 6114DS only.)

4. Test strike: Apply solenoid power. Fail secure (FSE) lip unlocks. Fail safe (FS) lip locks. Figure 1 shows status of switches.
5. Install strike with four #10-24 screws. Make sure clearance between latch bolt and strike lip is 1/32" (Figure 3). If not, shim night latch as necessary.
6. If latch bolt does not extend far enough to actuate tripper, install extension (Figure 4). (Tripper on 6114DS only.)
7. Test door: With strike unlocked, door opens with latch bolt extended. When door closes, latch bolt rides over strike lip.

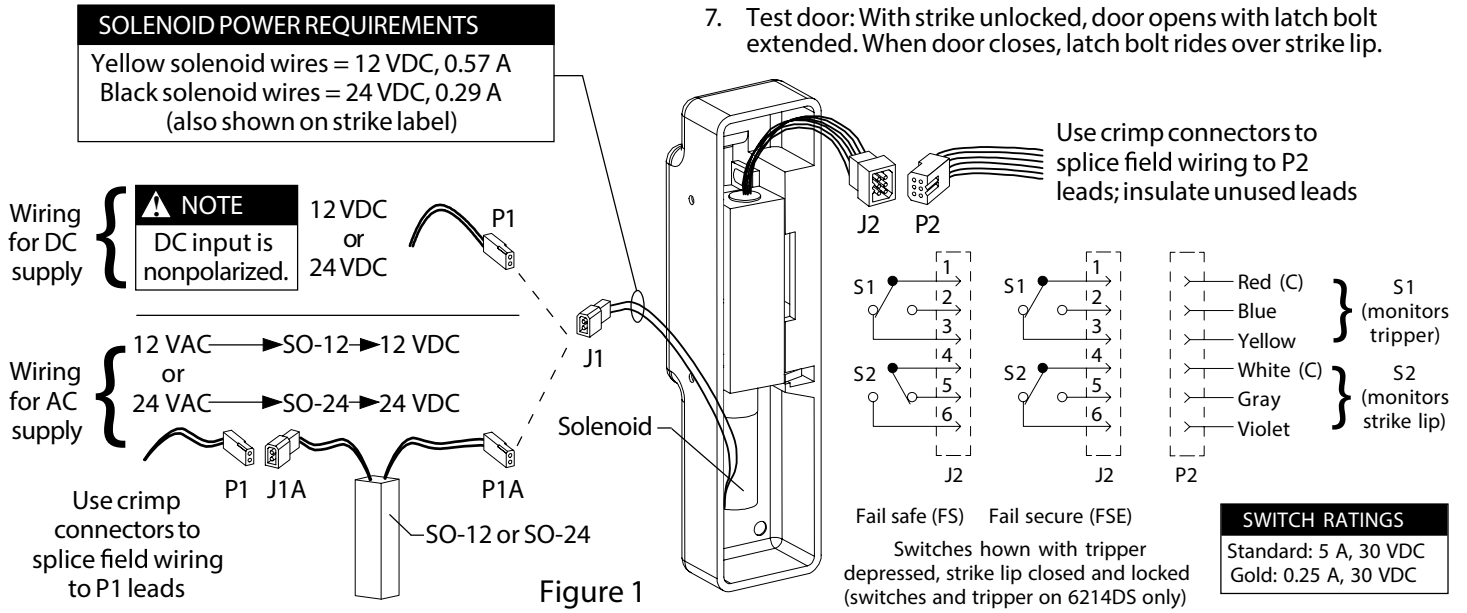


Figure 1

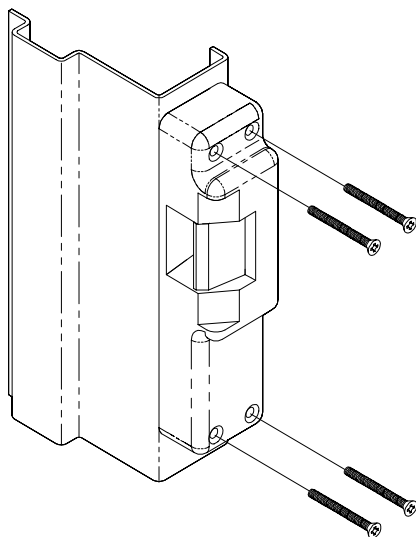


Figure 2

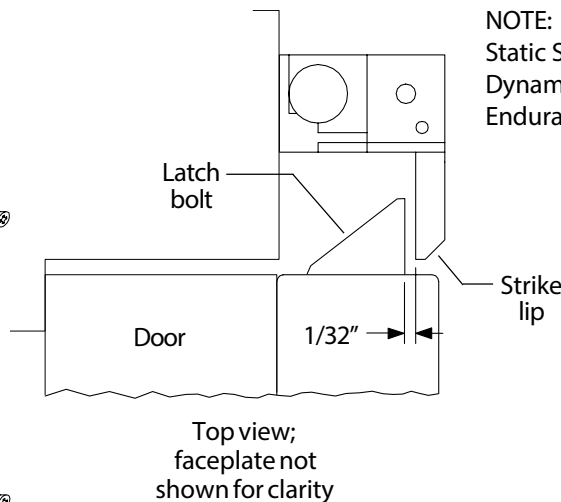


Figure 3

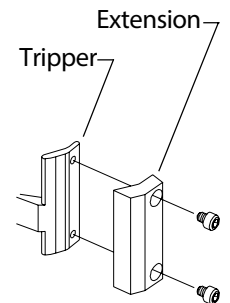
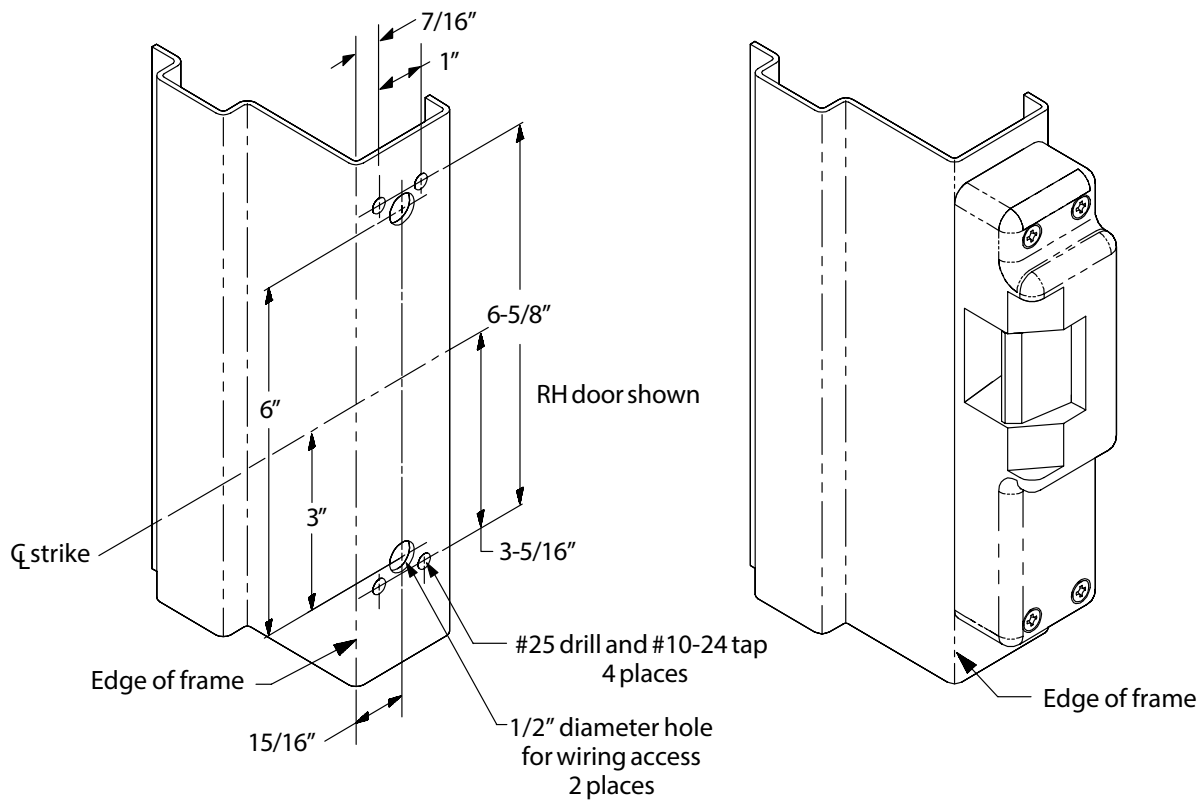


Figure 4

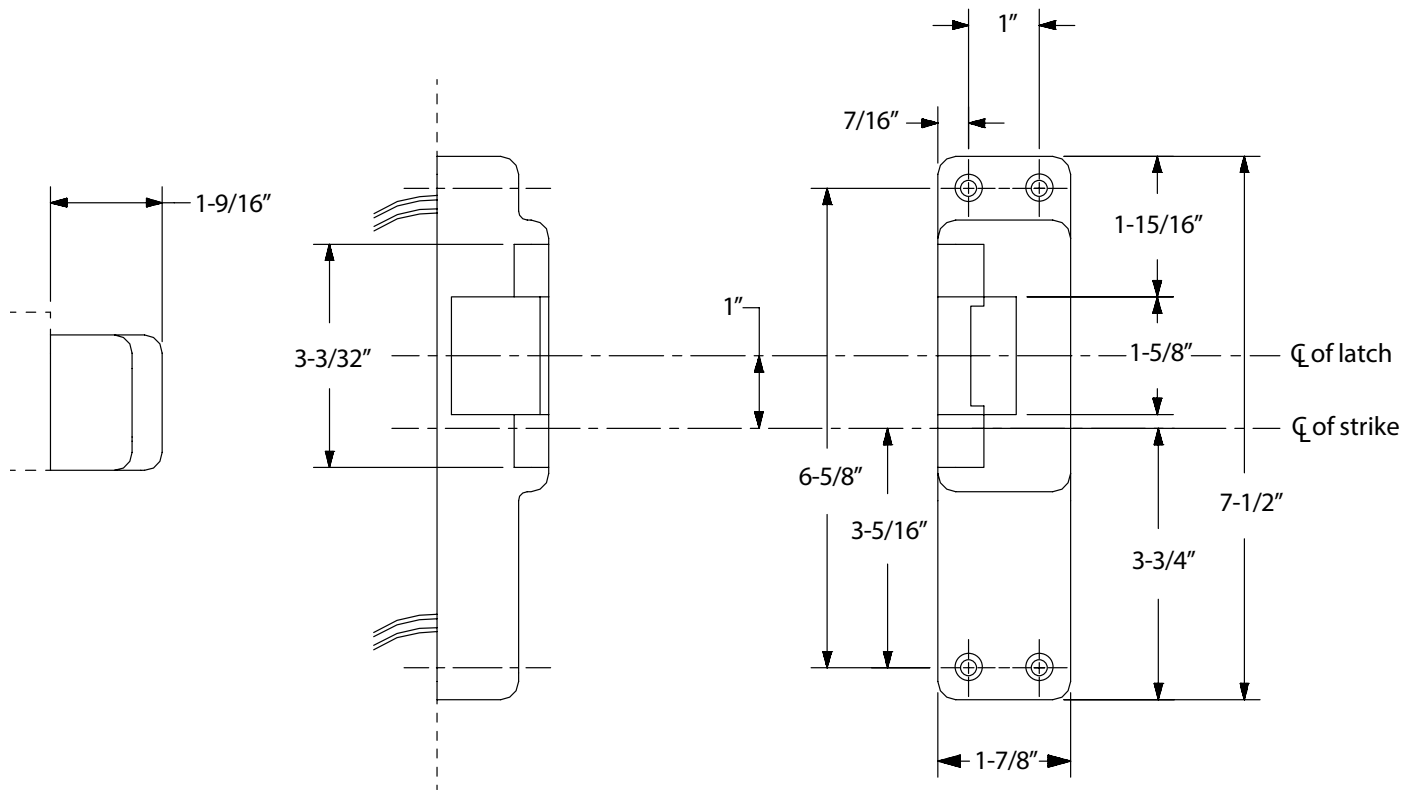


**Customer Service**  
 1-877-671-7011    www.allegion.com/us

© Allegion 2014  
 Printed in U.S.A.  
 931243-00 Rev. 01/14-b



Frame Preparation for Strike



Strike Dimensions