



931235-00

6216/6216DS

VON DUPRIN®

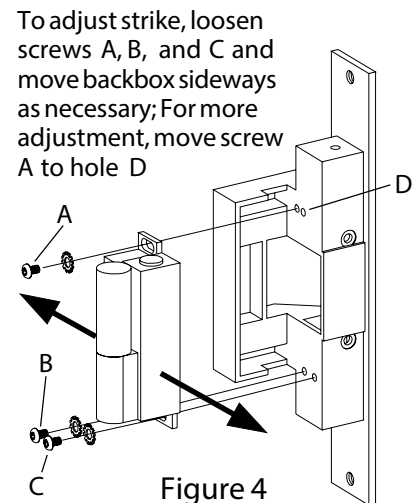
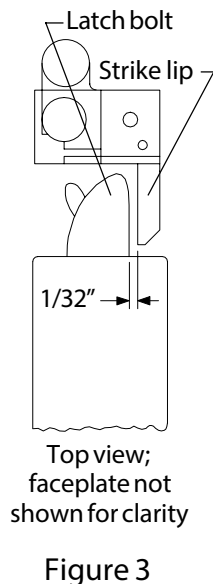
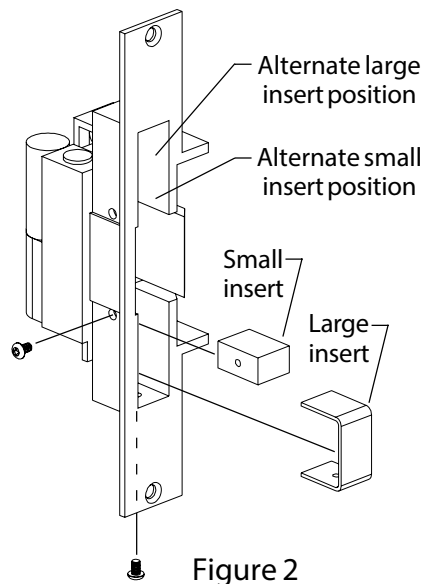
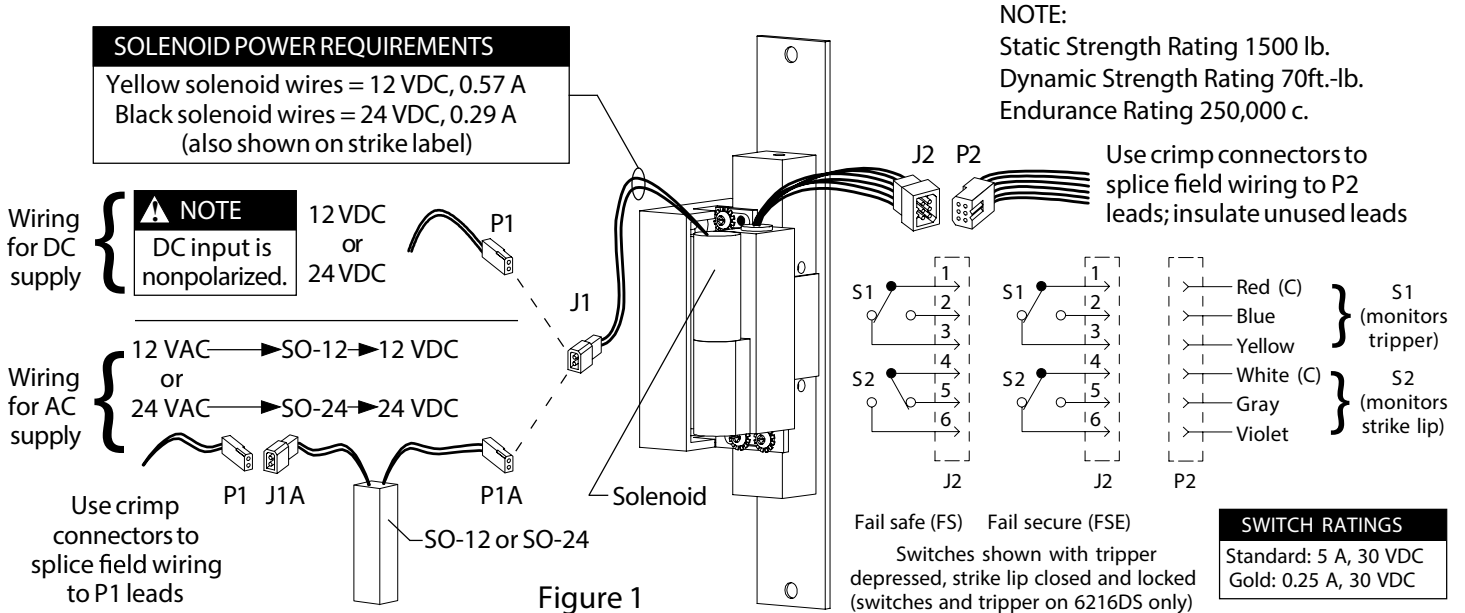
Electric Strike, Single Door Mortise with Deadbolt Application

Installation Instructions

Note: Check with factory for retrofit applications.

1. For lock or device preparation, see their directions.
2. Prepare frame for strike (see other side).
3. Wire strike (Figure 1). (Switches on 6216DS only.)
4. Install small insert for auxiliary bolt operation and large insert in unused dead bolt pocket (Figure 2).

5. Test strike: Apply solenoid power. Fail secure (FSE) lip unlocks. Fail safe (FS) lip locks. Figure 1 shows status of switches.
6. Install strike with two #12-24 screws. Make sure clearance between latch bolt and strike lip is 1/32" (Figure 3). If not, uninstall strike, adjust (Figure 4), and reinstall.
7. Test door: With strike unlocked, door opens with latch bolt extended. When door closes, latch bolt rides over strike lip.



Customer Service
 1-877-671-7011 www.allegion.com/us

