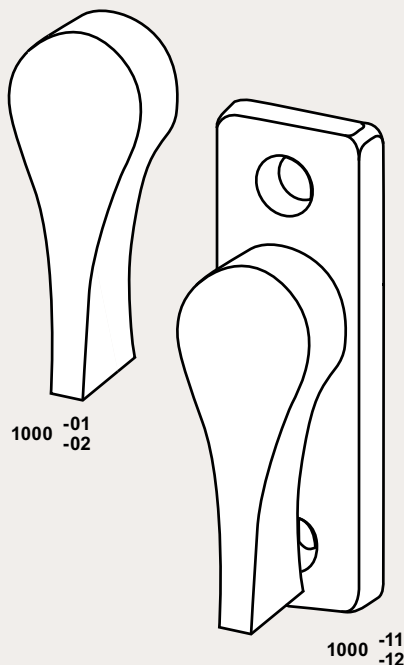


1000 Turns

The 1000 Turns are designed to operate Adams Rite MS1847 Deadlocks and the 5017 Wood Door Deadlock.

Function

1000 Turns are designed to operate Adams Rite MS[®]1847 Deadlocks and 5017 Wood Door Deadlock. 1000-11 and 1000-21 have a rectangular escutcheon for mounting directly on door. 1000-01 and 1000-02 are without escutcheon, designed for easy push-nut mounting to door pull or other trim plate.



Specifications

TURN LEVER

- Zinc alloy. Trim finish RC130.

ESCUTCHEON

- Stainless Steel. Trim finish in RC130.

SPINDLES

- Hardened steel, plated for corrosion resistance. First dash number in order guide indicates spindle parallel or perpendicular to turn level (turn drawings on back). Second dash number indicates spindle length "L" (see dash table on back).

1004 TURN

- 1004 Turn has a longer, more ergonomically-friendly turn lever.

1015 TURN

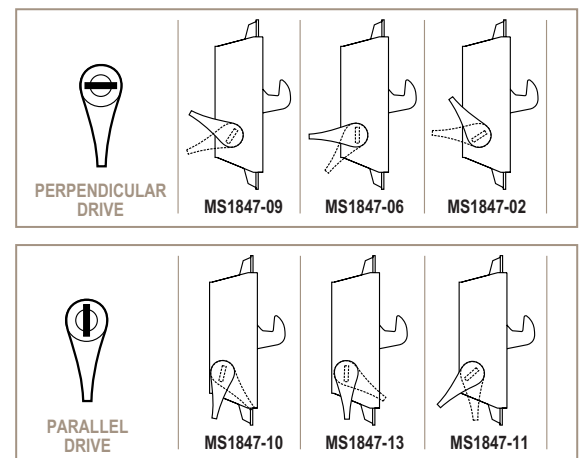
- Available with 1016 blank plate for doors from 5/8" to 2-1/4" thickness. Without blank plate turn available (for use with cylinder pull) on doors from 7/16" to 2" thickness. Standard finish 130, Satin Aluminum enamel. Turn 1015 for use with 5017 lock is designed for wood door applications.

OPTIONS

- The availability of both perpendicular and parallel drives in these turns, coupled with the three hub drive positions of the MS1847 lock, provides several options. Choice of turn drive position relates directly to the particular lock hub drive position. Special care in specifying both the proper turn and lock in ordering is recommended. Chart on the back of page shows turn positions relative to lock hub positions. Broken line indicates direction of travel (45°) to retract bolt (see chart below).

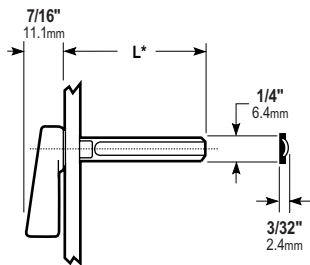
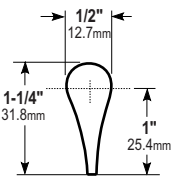
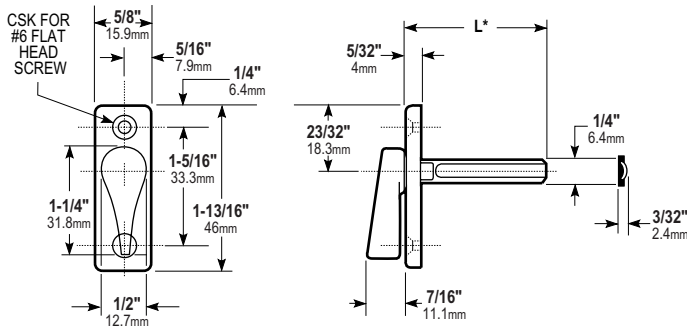
STANDARD PACKAGE

- Individually packaged. -21 and -11 assembled, with escutcheon. -01 and -02, unassembled, include turn, spindle, washer and push nut for assembly on the door pull plate. Shipping weight: 1/16 lb.

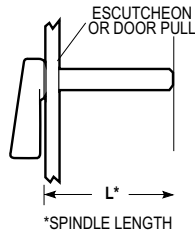


All measurements are approximate and are provided for informational purposes only. Refer to the product Installation Instructions.

Dimensions

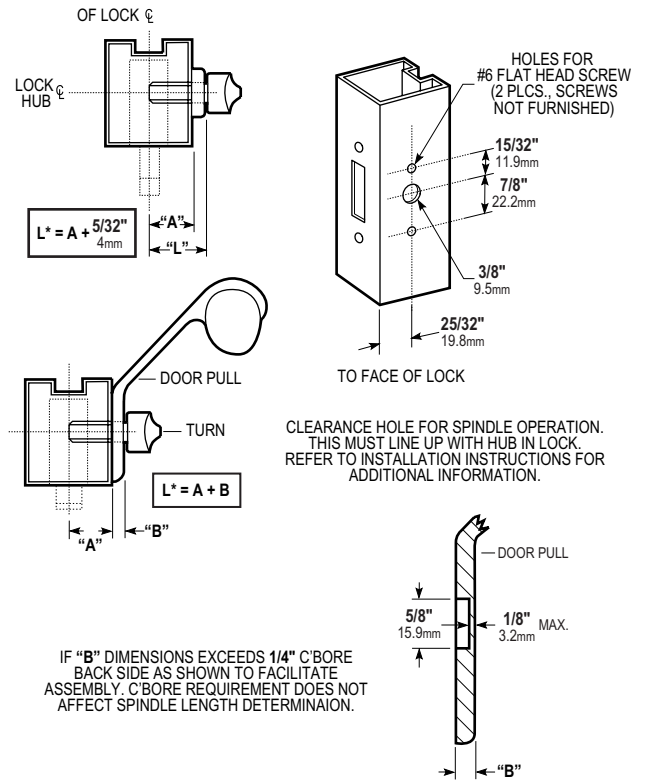


Dash Chart

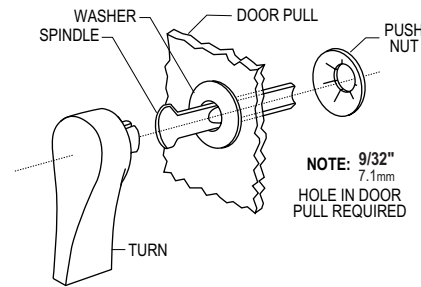


DASH CHART											
NO.	"L"	MM	NO.	"L"	MM	NO.	"L"	MM	NO.	"L"	MM
-11	17/32	13	-17	59/64	23	-23	1-19/64	33	-29	1-43/64	42
-12	39/64	15	-18	63/64	25	-24	1-23/64	35	-30	1-47/64	44
-13	43/64	17	-19	1-3/64	26	-25	1-27/64	36	-31	1-51/64	46
-14	47/64	19	-20	1-7/64	28	-26	1-31/64	38	-32	1-55/64	47
-15	51/64	20	-21	1-11/64	30	-27	1-33/64	39			
-16	55/64	22	-22	1-15/64	31	-28	1-39/64	41			

Stile Preparation DASH -11 or -21



Installation DASH -01 or -02



HOW TO ORDER 1000 SERIES TURNS

Specify quantity and the following information. Order related products separately.

PRODUCT NO.	TURN TYPE	SPINDLE LENGTH	RITECOAT FINISH
1000	-21	-14	-130
	See TURN TYPE drawings (right side)	See DASH CHART (above)	119 To match 335 Black Anodized 121 To match 313 Dark Bronze Anodized 130 To match 628 Clear Anodized

Turn Type

TURN WITHOUT ESCUTCHEON
FURNISHED UNASSEMBLED



TURN WITH ESCUTCHEON
FURNISHED ASSEMBLED



COMPATIBLE PRODUCTS This product is compatible with the following products:

Deadlocks

- MS1847 Deadlock.
- 5017 Wood Door Deadlock.