



931226-00

# 6111/6111DS

# VON DUPRIN®

Electric Strike Double Door with Mullion Rim Application

Installation Instructions

Note: Check with factory for retrofit applications.

- 1 For lock or device preparation, see their directions. Also see application schedule on other side.
- 2 Prepare mullion for strike (see other side).
- 3 Wire strike (Figure 1). (Switches on 6111DS only.)
- 4 Test strike: Apply solenoid power. Fail secure (FSE) lip unlocks. Fail safe (FS) lip locks. Figure 1 shows status of switches.
- 5 Install strike with two #12-24 screws. Make sure clearance between latch bolt and strike lip is 1/32" (Figure 2).
- 6 If latch bolt does not extend far enough to actuate tripper, install extension (Figure 3). (Tripper on 6111DS only.)
- 7 Test door: With strike unlocked, door opens with latch bolt extended. When door closes, latch bolt rides over strike lip.

### SOLENOID POWER REQUIREMENTS

Yellow solenoid wires = 12 VDC, 0.57 A  
 Black solenoid wires = 24 VDC, 0.29 A  
 (also shown on strike label)

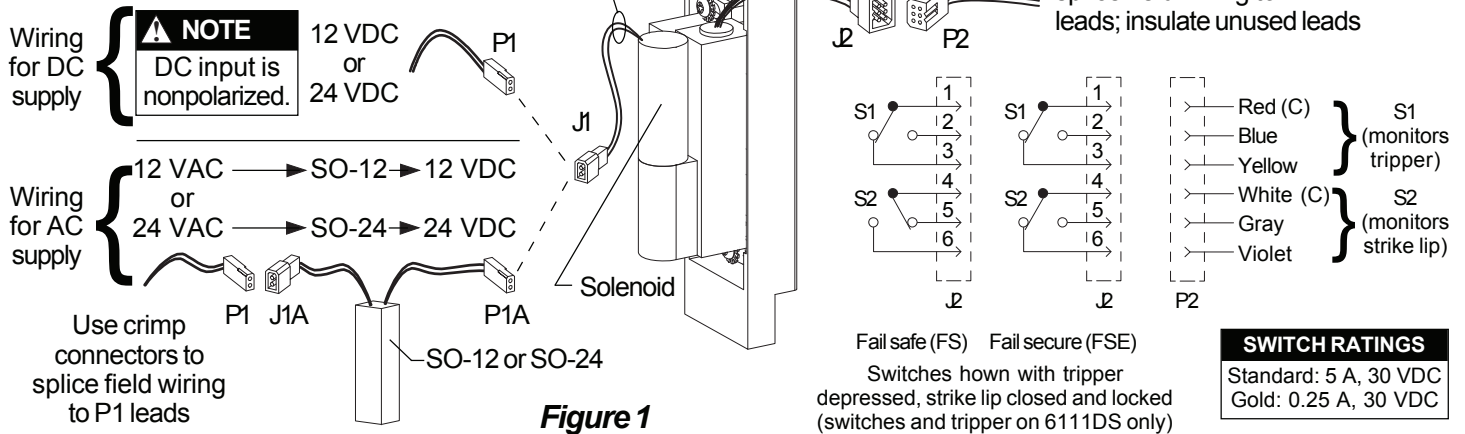


Figure 1

NOTE:  
 Static Strength Rating 1500 b.  
 Dynamic Strength Rating 70ft.-lb.  
 Endurance Rating 250,000c.

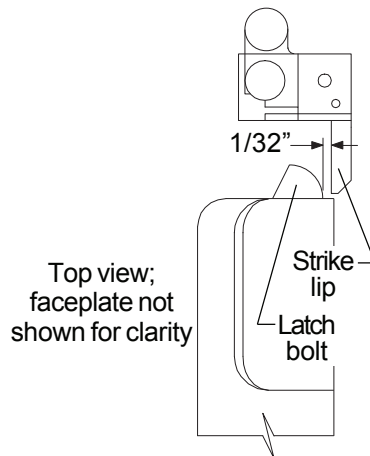


Figure 2

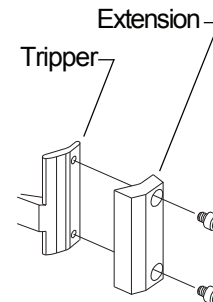
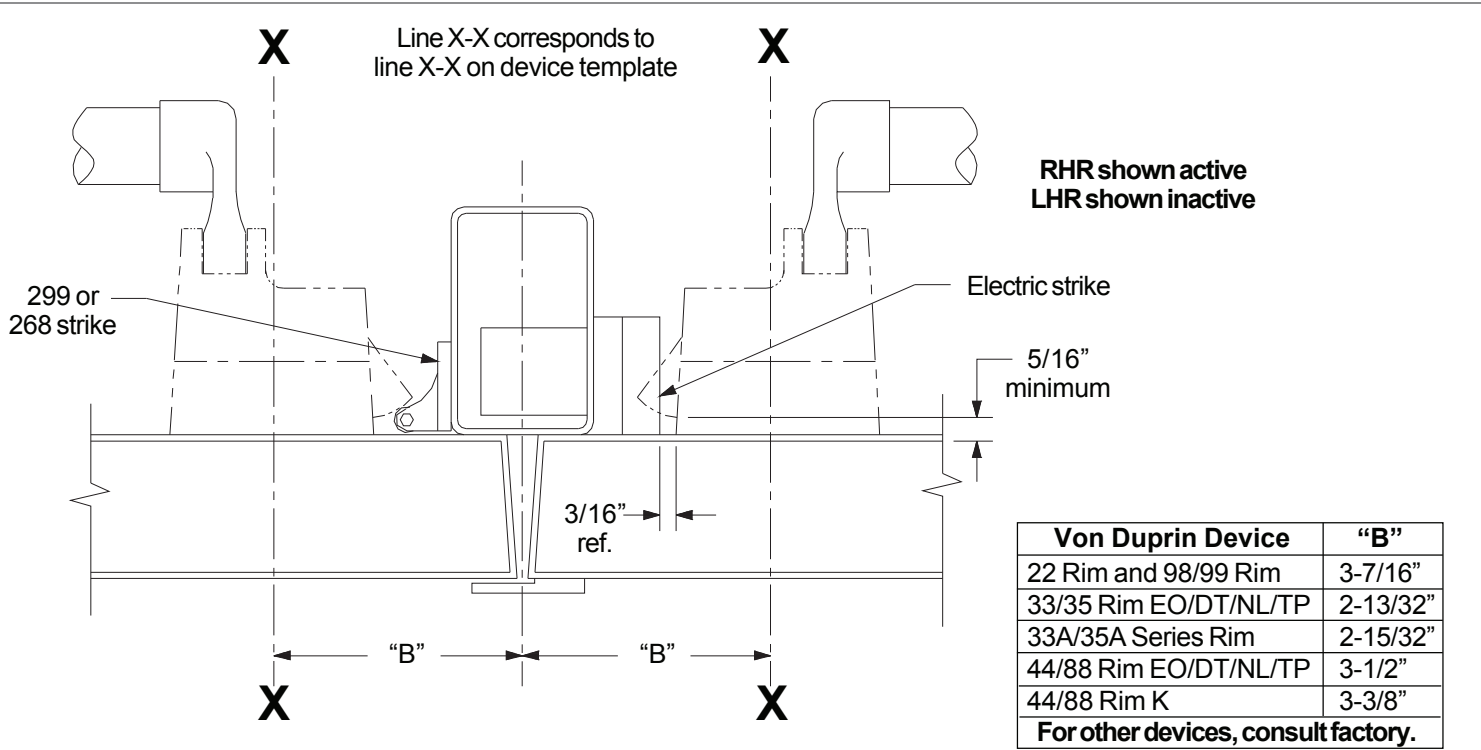


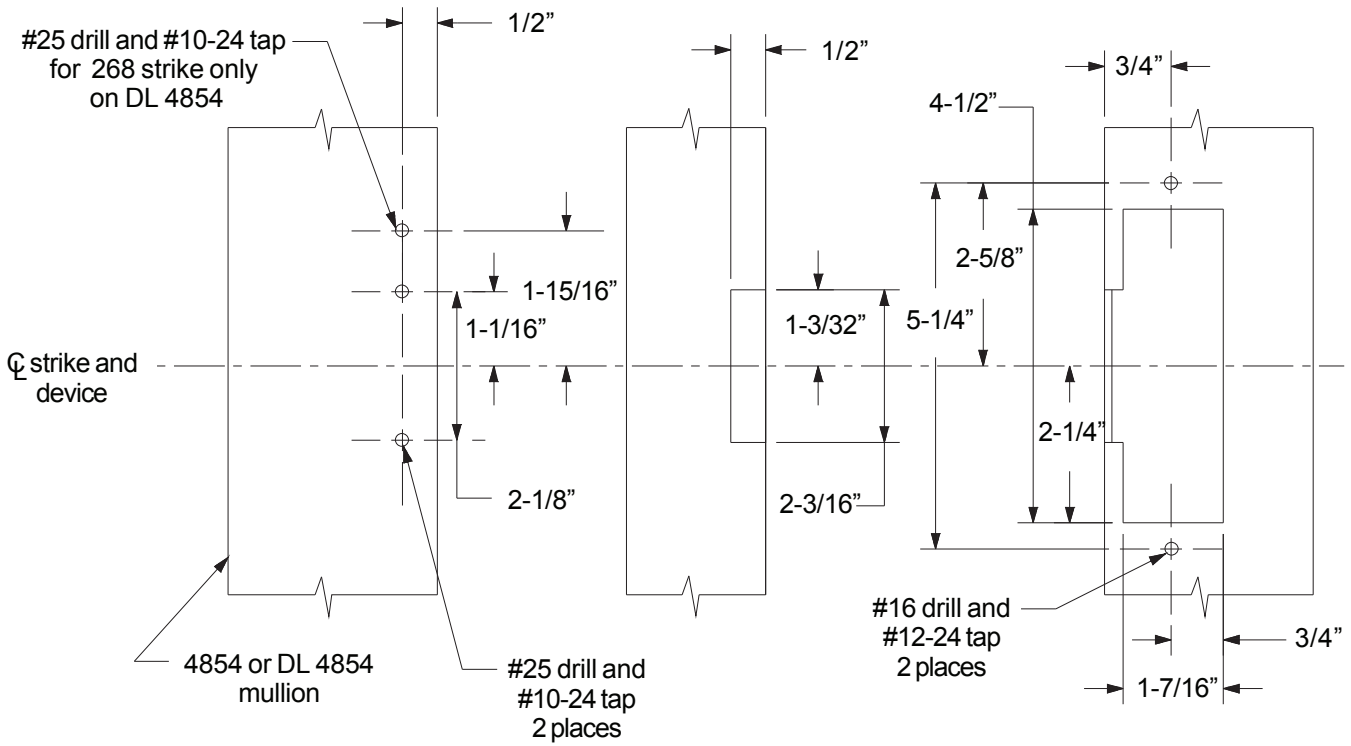
Figure 3



89/336/EEC



**Application Schedule**



**Mullion Preparation for Strike**