

# MM15 MEMLOCK™

## Unique Hybrid Design, Two Tons of Holding Power

The hybrid design of the MM15 includes two springloaded, hardened steel jaws that deliver up to 4000lbs of ultimate holding power. In a forced-entry assault, the jaws clamp down on the armature plate and hold firm, for an unmatched level of access control.

### PRODUCT FEATURES

- 4000lbs holding power
- Mounting plate for easy, accurate installation
- Automatic dual voltage (12/24V)
- Accepts AC or DC current
- Fail Safe
- Ideal for mental health care and auxiliary detention facilities and other high-risk locations
- MagnaCare Lifetime Replacement No Fault Warranty

### PRODUCT OPTIONS

- (D) Integrated door position switch (DPS)
- (T) Anti-tamper switch
- (G) 1/2" conduit ready
- Tamper shield

### SPECIFICATIONS

- UL 10C Fire Rated, 1 hour
- CAN/ULC-5533 Listed
- Patent: 6,902,214

**Holding Force:**  
4000lbs [1814 kg]

**Dimensions:**  
6" L x 1-7/8" D x 2-3/4" H

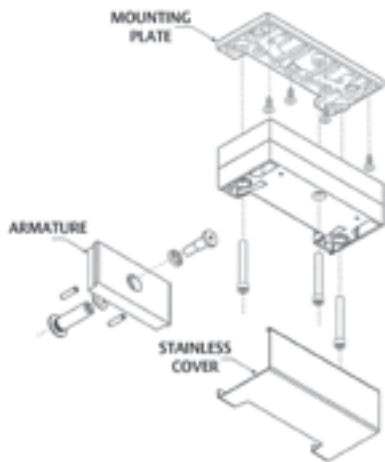
**Electrical:**  
AC Current: 130mA at 12VAC;  
250mA at 24VAC

DC Current: 100mA at 12VDC;  
200mA at 24VDC

**Operating Temperature:**  
-40 to +140F [-40 to +60C]  
Indoor use only

**Shipping Weight:**  
6lbs [2.72kg]

**Finishes:**  
US26D/626 - Brushed Stainless

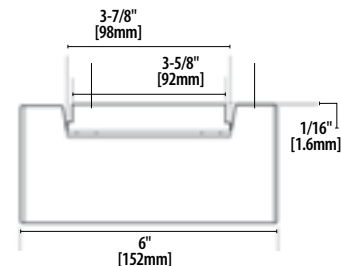
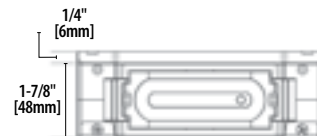
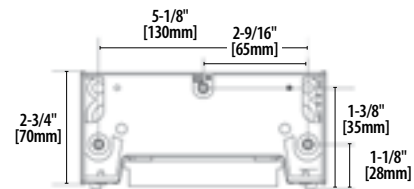


### MODELS

PART # | Description

MM15	Electromechanical Maglock - 4000lbs
MM15DT	Electromechanical Maglock - 4000lbs, DPS, Tamper
MM15G	Electromechanical Maglock - 4000lbs, Conduit
MM15GDT	Electromechanical Maglock - 4000lbs, Conduit, DPS, Tamper

For dress covers and flexible mounting brackets see page 33.



DUAL VOLTAGE



GRADE 1



FIRE RATED

**SECURITRON™**  
**ASSA ABLOY**





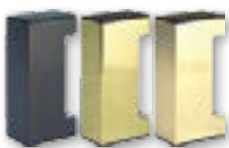
**SFP » STOP FILLER PLATES**

- MagnaCare Lifetime Replacement No Fault Warranty

**» MODELS**

PART # | Description

<b>SFP-1/2BKMM15</b>	SFP - 1/2" for MM15, Black Finish
<b>SFP-1/2CLMM15</b>	SFP - 1/2" for MM15, Clear Finish
<b>SFP-3/8BKMM15</b>	SFP - 3/8" for MM15, Black Finish
<b>SFP-3/8CLMM15</b>	SFP - 3/8" for MM15, Clear Finish
<b>SFP-5/8BKMM15</b>	SFP - 5/8" for MM15, Black Finish
<b>SFP-5/8CLMM15</b>	SFP - 5/8" for MM15, Clear Finish



**DC-MM15 » DRESS COVERS**

- Available in Black, Polished Brass or Satin Brass finish
- MagnaCare Lifetime Replacement No Fault Warranty

**» MODELS**

PART # | Description

<b>DC-MM15BK</b>	DC - MM15, Black
<b>DC-MM15BP</b>	DC - MM15, Polished Brass
<b>DC-MM15BS</b>	DC - MM15, Satin Brass



**HEB-MM15 » HEADER EXTENSION BRACKETS**

- MagnaCare Lifetime Replacement No Fault Warranty

**» MODELS**

PART # | Description

<b>HEB-1BK-MM15</b>	HEB - 1" for MM15 Series, Black Finish
<b>HEB-1CL-MM15</b>	HEB - 1" for MM15 Series #130, Clear Finish
<b>HEB-2BK-MM15</b>	HEB - 2" for MM15 Series, Black Finish
<b>HEB-2CL-MM15</b>	HEB - 2" for MM15 Series #130, Clear Finish
<b>HEB-3BK-MM15</b>	HEB - 3" for MM15 Series, Black Finish
<b>HEB-3CL-MM15</b>	HEB - 3" for MM15 Series #130, Clear Finish



# ACCESSORIES

## for MM15 MEMLOCK™



**TS » TAMPER SHIELD**

**Protect Your Locks with Tamper Shield**

The TS Tamper Shield completely encases the lock face, providing an added layer of protection against attempts to compromise or vandalize the magnetic locking mechanism.

- MagnaCare Lifetime Replacement No Fault Warranty

**» MODELS**

PART # | Description

<b>MM15-TS</b>	Tamper Shield for MM15 - Stainless Steel
----------------	------------------------------------------



**Z-MM15 » Z BRACKET KITS**

- MagnaCare Lifetime Replacement No Fault Warranty

**» MODELS**

PART # | Description

<b>Z-MM15BK</b>	Z-Bracket - MM15, Black
<b>Z-MM15CL</b>	Z-Bracket - MM15, Clear

