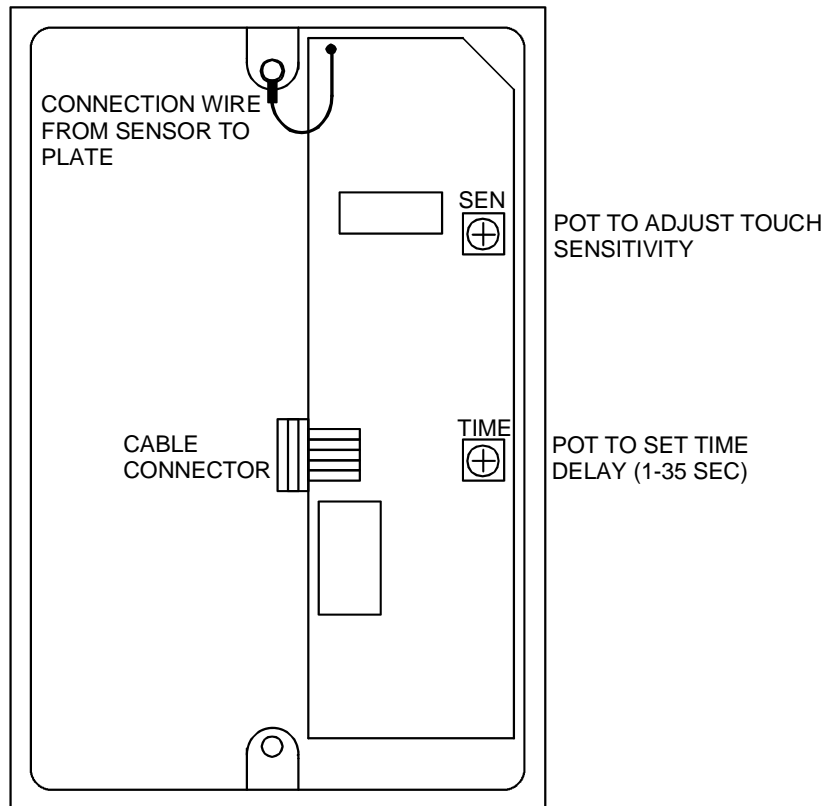


**MODEL SP-1 TOUCH SENSITIVE WALL SWITCH
INSTALLATION AND OPERATING INSTRUCTIONS**

1. DESCRIPTION

The SP-1 is a touch sensitive wall switch which is generally used as a superior alternative to wall mounted mechanical push buttons. When touched by the human hand (even through gloves) the unit operates a set of internal dry contacts. The unit includes an internal timer, an LED which indicates operation and a redundant backup switch. The SP-1 is intended for **indoor use only**.

FIGURE 1: SP-1 OVERVIEW



2. PHYSICAL MOUNTING

Identify the top of the unit by noting that the LED is on the top face of the backbox. Remove the bottom screw of the plate. **Note that the top screw includes a spring** that goes around the screw below the plate. **Do not lose this spring** as its presence is necessary for proper operation. It is not necessary to remove the top screw with the spring on it, but to just loosen this screw and rotate the plate enough to access the mounting screw points. Mount the unit to the wall using the supplied screws. Note that there are two approaches to mounting. You can use the holes at the diagonal corners of the box and optionally one of the interior holes for surface mounting on dry wall or other material. #8 x 1 1/2" Sheet metal screws are provided for this purpose. Alternately, if you are putting the SP-1 over a US type backbox, you can use two machine screws (supplied) to mount into the standard backbox tab threads.

Note that the stainless steel plate must be isolated from any conductive (metal) surface. At least one inch of separation must be maintained between the edge of the plate and any protruding metal piece.

3. WIRING

The SP-1 has 6 colored wires which are for sensor power and DPST relay output:

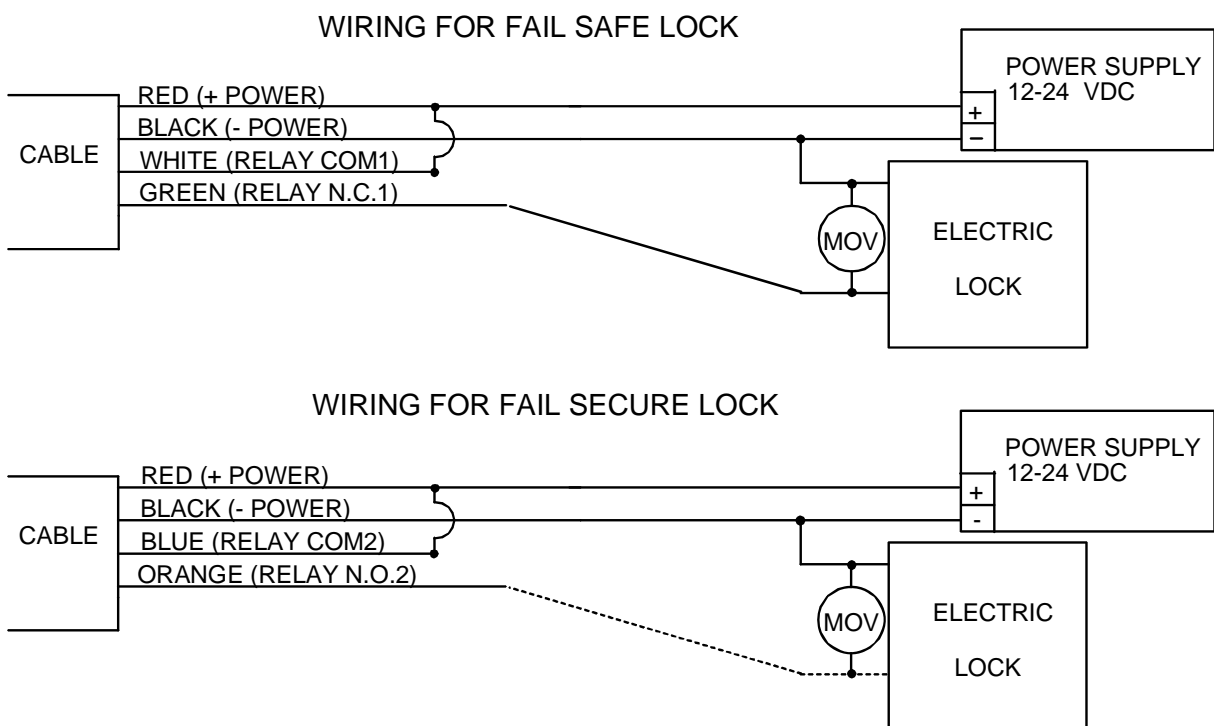
- Red - "+" DC Power
- Black - "-" DC Power
- White - Relay Common, Pole 1
- Green - Relay Normally Closed, Pole 1
- Blue - Relay Common, Pole 2
- Orange - Relay Normally Open, Pole 2

The relay has 2 amp contacts; the **operation of the SP-1 is fail safe**. When the SP-1 receives power, its control relay automatically energizes. It de-energizes when the plate is touched. For applications releasing an electric lock, the following drawing (Figure 2) shows typical connections of sensor, power supply and both **fail safe** (secure when powered) or **fail secure** (released when powered) electric locks. Note installation of the MOV in parallel with the electric lock. The MOV is supplied loose with the SP-1. It is a black or blue disk-like component with two bare wires for connection. The MOV acts to suppress the inductive kickback from the lock which will greatly shorten the life of the relay contacts if not suppressed. To work properly it should be spliced in as close to the electric lock as possible. It has no polarity. **If, however, Securitron's Magnalock is used in the installation, the MOV is not necessary as the Magnalock is internally suppressed.**

The sensor operates on 12-24 volts DC and is normally powered by the same power supply that operates the electric lock. **When wiring power, polarity must be observed.** Note that the sensor draws **40 mA** when "at rest" and **25 mA** when it is releasing the lock. . As an additional safety feature, **the SP-1 includes a low voltage sensing circuit.** The unit will keep working normally if input voltage declines until it reaches roughly 9 volts. At that point, the SP-1 will automatically act as if all power was removed. If a lock is being controlled, it will release. Input voltage could decline if the unit was being operated on batteries and the batteries were discharging or because of a fault in the power supply.

When employing the cable to make electrical connections, **never coil the gray cable within the white backbox.** It must be pulled straight out. A coiled cable in the white backbox will interfere with proper electronic operation of the unit.

FIGURE 2: SP-1 TYPICAL WIRING



NOTE 1: MOV NOT NEEDED IF SECURITRON MAGNALOCK USED

NOTE 2: POWER SUPPLY MUST ALWAYS CONNECT DIRECTLY TO SENSOR. OTHER CONTROL SWITCHES SHOULD BREAK OR PARALLEL RELAY CONTACTS.

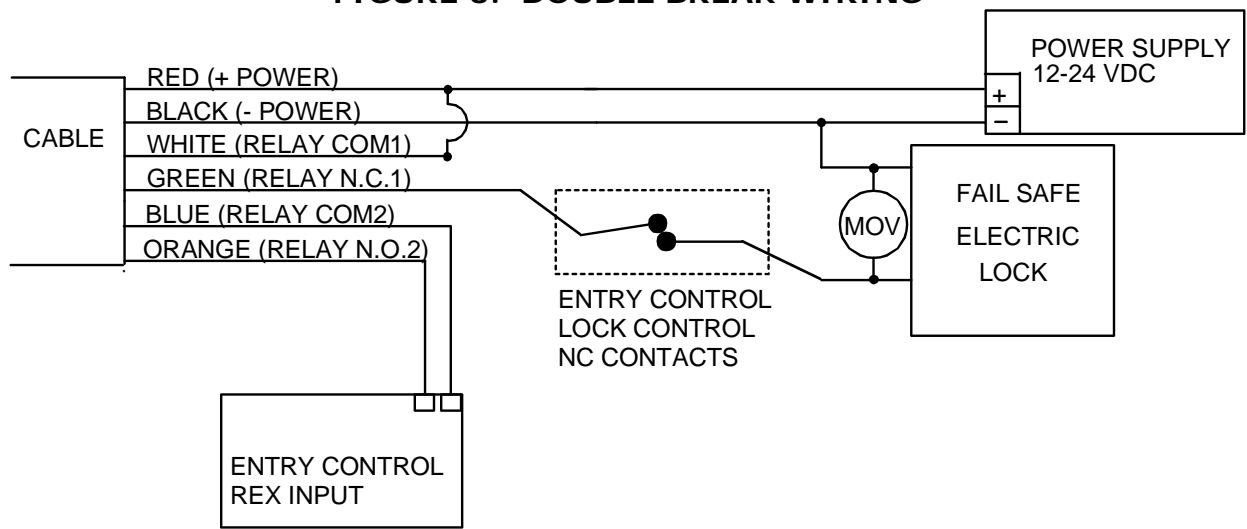
NOTE 3: INPUT POWER POLARITY MUST BE OBSERVED.

3.1 DOUBLE BREAK WIRING

Many installations include a controlled entry device such as a digital keypad or card reader. Such devices typically have a **REX** (request to exit) input.

If the REX input alone is used for exiting a safety/reliability problem will exist. If the entry device malfunctions, exit will not be possible and people may be trapped. We therefore always recommend double break wiring which is supported by the SP-1 because of its two pole relay. The SP-1's NC contacts are used to break power to the fail safe electric lock while its NO contacts trip the REX input of the controlled entry device. This releases the lock a second time, hence the term, "double break". If the controlled entry device fails for any reason, direct exit is still possible. This type of circuit works only with fail safe locks but these comprise the great majority of lock types used for safety related exit.

FIGURE 3: DOUBLE BREAK WIRING



4. TIMED OPERATION

In timed operation, the SP-1 will operate its contacts for 1-35 seconds after it is touched. Time duration is set by adjusting the potentiometer located in the center of the control circuit board (see Figure 1). The pot is **factory set** for approximately **7 seconds**. Time is increased by turning the pot clockwise. Timing is of the "**retriggerable, off delay**" type. This means first that the contacts will stay switched as long as the person's hand remains on the plate. Timing starts when the hand is removed and if the plate is touched a second time during the switched cycle, the contacts will remain switched for the selected time which will be "retriggered".

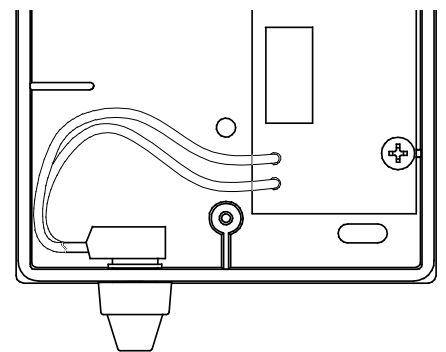
If the SP-1 is being used to trigger some other device such that only a momentary signal is required, turn the pot all the way counterclockwise and the contacts will switch for roughly one second.

5. LABELING

A vinyl press-on label is supplied with the unit which says, "**TOUCH TO EXIT**" and includes a graphic representation of a hand. An international handicap symbol is also available (ordered separately SP-1LH). The label may be applied to the stainless steel plate completely or portions may be applied only to create the desired prompt. To use the label, first slowly remove the backing sheet by starting peeling from one corner. Too rapid removal of the backing may take some of the label with it. When the backing has been removed, you can "edit" the label copy by carefully removing portions of the message. Use a knife tip to peel away the vinyl characters. Then line up and press the label top carrier onto the plate. Firmly rub all over the top carrier sheet to apply the vinyl lettering to the stainless plate and remove air bubbles. Then slowly peel off the top carrier sheet, again starting from a corner. If while peeling some of the vinyl may come off with the top carrier, rub over the carrier again aggressively to make the vinyl adhere.

6. USE OF REDUNDANT BACKUP SWITCH

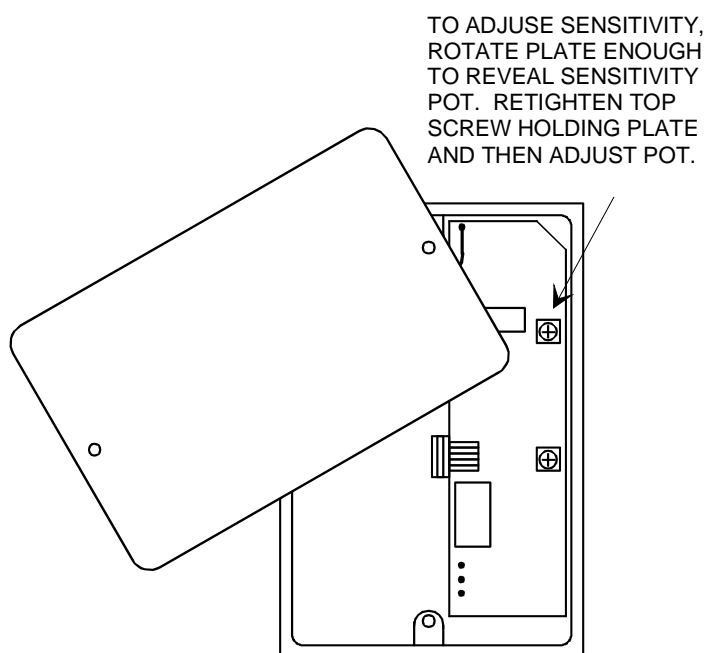
When you open or remove the plate from the backbox, you'll notice a push button switch soldered to the circuit board by two wires. The switch is lightly stuck down to the backbox base. As factory delivered, pushing the button breaks the connection between the white (COM1) and green (NC1) wires just the same way as if the plate was touched. It does not however affect the COM2 and NO2 circuit (blue and orange). **If the application for the SP-1 is safety related and employs the NC contacts, remove the plastic plug and mount the switch through the hole in the bottom of the backbox** as shown in the drawing on the right. With the switch mounted, there are two independent controls which can release the door. In the event that the sensor fails, the button will still work. Of course, in a double break installation (see Figure 3) the button **will not activate the REX input** of the entry control device because its use only affects the NC contacts, **nor will it activate the SP-1's internal timer** but the lock will still release for safety as long as the button is held. **Never cut the wires from the switch to the circuit board.** If the switch is not used, it must be left inside the backbox as its wires are part of the circuit.



7. ADJUSTING SENSITIVITY

The sensitivity pot (see Figure 1) must be adjusted for proper operation. The setting depends somewhat on whether the unit is mounted on a metal or non-conducting surface. To perform this adjustment, you have to start with the unit completely wired (receiving power) and mounted as it will be used. NOTE: the top screw includes the spring and ring terminal underneath that creates the electrical connection between the plate and the sensor.

Turn the timing pot all the way counter-clockwise, the shortest time between tests of operation. Re-tighten the top screw and turn the sensitivity pot clockwise **without touching the plate** until the LED just comes on. In this condition, sensitivity is so high that the unit is on all of the time. Slowly rotate the pot counter-clockwise until the LED goes out and then another 15 degrees counter-clockwise. This is generally a good setting. Before re-attaching the plate, test by touching the plate and observing that the LED comes on. test with gloves if you expect that they will be used. You may want to increase the sensitivity somewhat, but if you leave it just below the point where the LED is on all the time, you risk a condition where the unit will fail by being on all of the time.



8. TROUBLESHOOTING

PROBLEM: The unit will not operate when the plate is touched.

There are three ways to know that the SP-1 is working when you touch the plate. The LED should come on, you should be able to hear the relay click and the device should do what is supposed to in the installation (such as releasing a door). If you get the click and LED but the unit doesn't release the door, check the installer wiring.

*If you don't get a click or LED, the sensor is not reading your touch. Make sure you understand section 7 on how to adjust sensitivity. It may be set too low. Another fault could be that the sensor itself is not receiving 12-24 DC power on the red and black wires. Check the power supply and, **be sure the input polarity is correct**. Also even if power is being applied on the red and black wires, it's possible that it's not getting into the sensor. Check the connector block that plugs into the sensor circuit board for loose wires. Finally, it is possible that the connection from the sensor to the plate has come loose. Review Figure 1. The ring terminal must go around the top mounting screw and the spring must be present around the screw.*

PROBLEM: The LED remains on constantly

First, make sure that the sensitivity is not set too high. Review section 7. If you can rotate the pot counterclockwise all the way and the unit still remains activated, the most likely cause is that the sensor "sees" an overwhelmingly large signal as if someone was continually touching the plate. This will happen if the plate is not properly isolated from a mass of metal. The plastic backbox achieves this isolation but it is possible that metal is too close to the side of the plate. You must have one inch clearance all around. The same effect will occur if the plate is used outside and becomes wet. This is an indoor product only.

Certain large electronic noise sources can "swamp" the sensor although this is rare. Examples would include large radio or radar transmitters in the building or a high voltage neon sign mounted within a few feet of the unit. Call the factory if you suspect noise induced problems.

PROBLEM: The sensor is very difficult to adjust

This is usually caused by coiling the electrical cable within the backbox. The cable must directly exit the backbox through the provided hole. Also, if the backup switch has not been installed in the side of the backbox, it should remain stuck down to the backbox base. If its wires are laying up against the plate, this can increase sensor adjustment difficulty.

Another possibility is that sometimes during handling of the product a static charge can be built up on the board. Remove power at the source (not by unplugging the cable). Turn the pot all the way counterclockwise. Reapply power and adjust sensitivity as described in Section 7.

9. MAGNACARE® LIFETIME REPLACEMENT WARRANTY

For warranty information visit www.securitron.com/en/site/securitron/About/MagnaCare-Warranty