

PRICE LIST No. 108

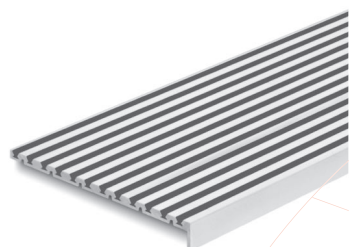
Effective September 1st, 2008



Since 1923

When Nothing Else Is Good Enough
For Long Enough

Supersedes all previous lists.
Subject to change without notice.



MINIMUM CHARGE:

\$50.00 Net. Surcharge may apply.

CLAIMS:

All claims for shortage or improper filling of order should be made within 10 days of receipt.

RETURNS:

No returns accepted without prior authorization. Returns should be made within 30 days of authorization, freight prepaid, 25% restocking and handling charge will apply. Returns made after 30 days from date of delivery will receive a credit to their account to be applied to future orders. Non-standard and specialty fabricated items are not returnable.

CANCELLATION CHARGE:

20% if order is fabricated and packed.

TERMS:

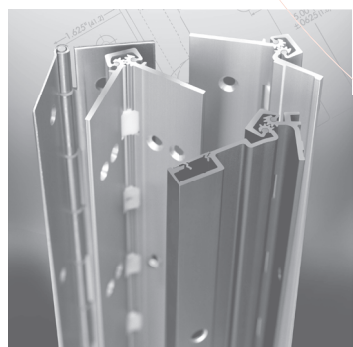
Net 30 — payable in U.S. currency
Without open credit — C.O.D., Company Check, American Express, Master Card and Visa F.O.B.
All prices are F.O.B. factory.

GUARANTEE:

Three years against defects in material or workmanship. Defective material will be replaced, however, no back charges for damage incurred or work done thereon will be allowed.

WARRANTY:

The following is made in lieu of all warranties, express or implied, including warranties or merchantability and fitness for a particular purpose: Purchase or use of this product constitutes an agreement with Seller and Manufacturer that, if this product proves to be defective or in any way unsuitable, Seller's and Manufacturer's limit of liability for all damages, including but not limited to incidental or consequential damages, and User's or Purchaser's exclusive remedy, regardless of legal theory, including theories of breach of warranty, negligence and strict liability, shall be to receive, at Seller's or Manufacturer's option, repair of the defective product, an equivalent quantity of replacement product or a refund of the purchase price.



■ Main Office And Manufacturing **ZERO INTERNATIONAL, INC.**

415 Concord Avenue, Bronx, New York 10455 -1004
Voice: (718) 585-3230 • (800) 635-5335
Fax: (718) 292-2243 • (800) 851-0000
E-mail: zero@zerointernational.com

■ Western Distribution Center **ZERO INTERNATIONAL, INC.**

2450 Loose Road, N. Las Vegas, NV 89030
Voice: (702) 633-9300 • Fax: (866) 585-3230
E-mail: zerowest@zerointernational.com

www.zerointernational.com



FIRE SEAL



POSITIVE PRESSURE
INTERNATIONAL STANDARD



SMOKE SEAL



AIR SEAL



SOUND SEAL



LIGHT SEAL



ADA ACCESS



SLIP RESISTANT



DOOR OPENING FORCE



WATER INFILTRATION

CUSTOM CHARGE: Special packing or marking available at extra cost.

FIRE LABELING: \$1.40 NET PER LABEL

FABRICATION:

- All items cut with tolerance -0+1/8"(3.2) to 1/2"(12.7) unless exact size specified.
- Drilling according to industry practice.
- All threshold straight cut.
- No drilling for thresholds # 672 to 6710, 101, 102, 103, 105, 106, 233, 236, 546, 547, 656, 657, 6570, 6575, unless specified & templates supplied.
- PIVOT HOLES \$ 16.00 net each
- COPING : (Detail required)
 - L cut \$ 16.00 net each
 - U cut \$ 32.00 net each
- RETURN ENDS \$ 72.10 net each, per threshold
- MITER \$ 3.60 net each
- RIPPING \$ 4.50 net per foot
- WELDING SPOT \$ 6.50 net per foot
- BEVELING \$ 4.50 net each
- FLOOR CLOSER COVER:

TYPE 1
For Doors Hung in Center of Frame

\$ 50.00 net single door
\$ 100.00 net double door

Left Hand Shown

TYPE 3
For Use with All Offset Closers and Pivot Sets

\$ 140.00 net single door
\$ 280.00 net double door

Left Hand Shown

TYPE 4
For Doors Hung Flush with Face of Frame

\$ 140.00 net single door
\$ 280.00 net double door

Left Hand Shown

TYPE 5
For Use with Offset Closers and Pivot Sets

\$ 175.00 net single door
\$ 350.00 net double door

Left Hand Shown

POLISHING:

- STANDARD Add 40% to net price
- ORB (Oil Rubbed Bronze Finish) Add 40% to net price

OPTIONS:

- E (Epoxy) \$ 7.50 per inch per foot
- V3 (Aluminum Oxide Filler, Full Body) \$10.75 per inch per foot

FASTENERS:

Supplied at no charge except drive screws & nails. Flathead wood screws supplied with threshold, expansion shields extra.

FINISH DESIGNATIONS / ABBREVIATIONS:

- | | |
|---|--|
| A = Aluminum, Mill finish | G = 204 R1 Gold Anodized finish |
| AA = 204 R1 Clear Anodized finish | ORB = Oil Rubbed Bronze finish |
| AP = Aluminum, Polished Finish | PC = Powder Coating finish. Specify color |
| B = Architectural Bronze, Mill finish | SP = Steel Prime |
| BK = Aluminum, Black Anodized finish | STST = Stainless Steel |
| BP = Architectural Bronze, Polished finish | PSA = Pressure Sensitive Adhesive |
| D = 2 Step Dark Bronze Anodized (Dark Brown) | |

PART NUMBER	LIST PRICE PER FOOT	LIST PRICE PER METER	TYPE	DESCRIPTION
1B	\$ 4.33	\$ 14.19	Window Protection	Bronze for Sill & Head
1Z	\$ 1.44	\$ 4.73	Window Protection	Zinc for Sill & Head
1HZ	\$ 2.02	\$ 6.62	Window Protection	Zinc for Head, Heavy Duty
1SZ	\$ 2.95	\$ 9.67	Window Protection	Zinc for Sill, Heavy Duty
2B	\$ 4.33	\$ 14.19	Window Protection	Bronze Hemmed Hook
2Z	\$ 1.44	\$ 4.73	Window Protection	Zinc Hemmed Hook
3B	\$ 4.14	\$ 13.59	Window Protection	Bronze Double Flat
3Z	\$ 1.38	\$ 4.53	Window Protection	Zinc Double Flat
4B	\$ 7.61	\$ 24.97	Window Protection	Bronze Jamb 1 3/4" (44.5) Top Sash
4Z	\$ 2.53	\$ 8.31	Window Protection	Zinc Jamb 1 3/4" (44.5) Top Sash
5B	\$ 8.30	\$ 27.24	Window Protection	Bronze Jamb 2 1/8" (54.0) Lower Sash
5Z	\$ 2.77	\$ 9.09	Window Protection	Zinc Jamb 2 1/8" (54.0) Lower Sash
6B	CALL		Window Protection	Series, Bronze Double Hung Wood (See Catalog Part #1B, 2B, 3B, 4B, 5B)
6Z	CALL		Window Protection	Series, Zinc Double Hung Wood (See Catalog Part #1Z, 2Z, 3Z, 4Z, 5Z)
7	\$ 3.81	\$ 12.50	Window Protection	Weather Check
10FB	CALL		Window Protection	Series, Bronze Interlocking (See Catalog Part #12B)
10FZ	CALL		Door Protection	Series, Zinc Interlocking (See Catalog Part #12Z)
11A	\$ 3.63	\$ 11.90	Gasketing	Aluminum Rain Drip
11D	\$ 5.02	\$ 16.46	Gasketing	Dark Bronze Anodized Rain Drip
11G	\$ 5.02	\$ 16.46	Gasketing	Gold Anodized Rain Drip
12B	\$ 5.19	\$ 17.03	Door Wheaterstrip	Bronze Single Base
12Z	\$ 1.56	\$ 5.10	Door Wheaterstrip	Zinc Single Base
15A	\$ 4.96	\$ 16.29	Threshold	Aluminum Butt Threshold 1.4"(35.6)
15B	\$ 25.36	\$ 83.19	Threshold	Bronze Butt Threshold 1.4"(35.6)
16B	\$ 2.19	\$ 7.20	Window Protection	Spring Bronze for Steel Casement
17B	\$ 2.88	\$ 9.46	Window Protection	Spring Bronze for Steel Casement
18B	\$ 1.33	\$ 4.36	Gasketing	Cushion Bronze 9/16" (14.2)
18S	\$ 2.12	\$ 6.96	Gasketing	Cushion Stainless Steel 9/16" (14.2)
19B	\$ 1.52	\$ 5.00	Gasketing	Cushion Bronze 3/4" (19.1)
19WB	\$ 1.56	\$ 5.10	Gasketing	Cushion Bronze 1 1/8" (28.6)
19WS	\$ 2.59	\$ 8.48	Gasketing	Cushion Stainless Steel 1 1/8" (28.6)
20	CALL		Window Protection	Series for Double Hung Wood (See Catalog Part #32,19,18L)
21B	\$ 118.75	per 100 ft.	Gasketing	Spring Bronze 1 1/4" (31.8) 100' Coils
22B	\$ 6.75	\$ 22.51	Door Sweep	Spring Bronze, Sill Strip with Retainer
23B	\$ 5.20	\$ 17.06	Door Sweep	Bronze Sill Hook
23Z	\$ 1.60	\$ 5.26	Door Sweep	Zinc Sill Hook
25A	\$ 2.08	\$ 6.82	Gasketing	Extruded Aluminum Angle
25D	\$ 3.94	\$ 12.92	Gasketing	Dark Bronze Anodized Angle
25G	\$ 3.94	\$ 12.92	Gasketing	Gold Anodized Angle
29A	\$ 10.08	\$ 33.07	Window Protection	Aluminum Sill Casement In-opening
29D	\$ 14.19	\$ 46.57	Window Protection	Dark Bronze Anodized Sill Casement In-opening
30	CALL		Window Protection	Series (See Catalog Part # 2, 3, 12)
31AA	\$ 6.36	\$ 20.86	Gasketing	Clear Anodized Bumper Strip / Neoprene
31D	\$ 9.03	\$ 29.64	Gasketing	Dark Bronze Anodized Bumper Strip / Neoprene
31G	\$ 9.03	\$ 29.64	Gasketing	Gold Anodized Bumper Strip / Neoprene
32AA	\$ 6.36	\$ 20.86	Gasketing	Clear Anodized Bumper Strip / Brush
32D	\$ 9.03	\$ 29.64	Gasketing	Dark Bronze Anodized Bumper Strip / Brush
32G	\$ 9.03	\$ 29.64	Gasketing	Gold Anodized Bumper Strip / Brush
33AA	\$ 6.36	\$ 20.86	Gasketing	Clear Anodized / Neoprene Lip
33D	\$ 9.03	\$ 29.64	Gasketing	Dark Bronze Anodized/ Neoprene Lip
33G	\$ 9.03	\$ 29.64	Gasketing	Gold Anodized / Neoprene Lip
34AA	\$ 8.78	\$ 28.81	Meeting Stile	Clear Anodized / Brush / Adjustable
34D	\$ 12.33	\$ 40.44	Meeting Stile	Dark Bronze Anodized / Brush / Adjustable
34G	\$ 12.33	\$ 40.44	Meeting Stile	Gold Anodized / Brush / Adjustable
34P-Bk	\$ 3.46	\$ 11.35	Meeting Stile	Self Adhesive Pile Brush, Black
34P-Gy	\$ 3.46	\$ 11.35	Meeting Stile	Self Adhesive Pile Brush, Gray
35AA	\$ 8.78	\$ 28.81	Meeting Stile	Clear Anodized/ Neoprene Lip/ Adjustable
35D	\$ 12.33	\$ 40.44	Meeting Stile	Dark Bronze Anodized / Neoprene Lip Adjustable

CATALOG ITEMS NUMERICAL INDEX

PART NUMBER	LIST PRICE PER FOOT	LIST PRICE PER METER	TYPE	DESCRIPTION	PART NUMBER	LIST PRICE PER FOOT	LIST PRICE PER METER	TYPE	DESCRIPTION
35G	\$ 12.33	\$ 40.44	Meeting Stile	Gold Anodized Adjustable Neoprene Lip	77	CALL		Threshold	Series, Bulkhead Door Adjustable Threshold (See Catalog Part # 105, 106, 475 & Adjustable Flat Plates)
36AA	\$ 8.65	\$ 28.39	Meeting Stile	Clear Anodized Adjustable Neoprene Lip	80A	\$ 12.40	\$ 40.70	Threshold	Aluminum Threshold 4 1/4" (108.0)
36D	\$ 12.33	\$ 40.44	Meeting Stile	Dark Bronze Anodized Adjustable Neoprene Lip	80B	\$ 56.41	\$ 185.07	Threshold	Bronze 4 1/4" (108.0)
36G	\$ 12.33	\$ 40.44	Meeting Stile	Gold Anodized / Adjustable Neoprene Lip	81A	\$ 10.49	\$ 34.42	Threshold	Aluminum 4" (101.6) Threshold, Water Return with Drain Pan option
38AA	\$ 8.65	\$ 28.39	Meeting Stile	Clear Anodized / Solid Insert	84	\$ 5.20	\$ 17.06	Threshold	Traction Tread Neoprene 1" (25.4) Wide x 1/4" (6.4) Thick
38D	\$ 12.33	\$ 40.44	Meeting Stile	Dark Bronze Anodized / Solid Insert	87	\$ 5.15	\$ 16.88	Gasketing	Series, Meeting Stile Astragal (See Catalog Part # 144, 25A)
38G	\$ 12.33	\$ 40.44	Meeting Stile	Gold Anodized / Solid Insert	93	\$ 14.23	\$ 46.68	Gasketing	3" (76.2) Loop Neoprene
39A	\$ 6.41	\$ 21.04	Door Sweep	Aluminum / Solid Neoprene 1/2"(12.7)	94	\$ 45.31	\$ 148.65	Gasketing	Series, Sliding Hangar Doors (See Catalog Part # 948, 69, 93, 97)
39D	\$ 8.65	\$ 28.40	Door Sweep	Dark Bronze Anodized / Solid Neoprene 1/2"(12.7)	96A	\$ 15.00	\$ 49.22	Door Sweep	Aluminum / Brush
39WA	\$ 8.78	\$ 28.81	Door Sweep	Aluminum / Solid Neoprene 1 1/4"	97A	\$ 16.90	\$ 55.46	Door Sweep	Aluminum / Brush
39WD	\$ 11.76	\$ 38.58	Door Sweep	Dark Bronze Anodized / Solid Neoprene 1 1/4"	98A	\$ 5.67	\$ 18.59	Gasketing	Aluminum / Brush
40A	\$ 14.23	\$ 46.70	Meeting Stile	Aluminum Astragal / Magnet Vinyl	98A-PSA	\$ 6.03	\$ 19.80	Meeting Stile	Aluminum / Brush with PSA
40D	\$ 21.24	\$ 69.67	Meeting Stile	Dark Bronze Anodized Astragal / Magnet Vinyl	98D	\$ 8.38	\$ 27.48	Gasketing	Dark Bronze Anodized / Brush
41AA	\$ 12.57	\$ 41.23	Meeting Stile	Clear Anodized Security Astragal	99A	\$ 5.67	\$ 18.59	Gasketing	Aluminum / Neoprene
41D	\$ 13.57	\$ 44.53	Meeting Stile	Dark Bronze Anodized Security Astragal	99D	\$ 8.43	\$ 27.67	Gasketing	Dark Bronze Anodized / Neoprene
42A	\$ 7.16	\$ 23.49	Gasketing	Series, Aluminum Security Seal (See Catalog Part # 240A and 25A)	100A	\$ 5.67	\$ 18.59	Gasketing	Aluminum / Neoprene Lip
43SP	\$ 11.75	\$ 38.56	Meeting Stile	Steel Prime Astragal 2 1/2" (63.5)	100D	\$ 8.38	\$ 27.48	Gasketing	Dark Bronze Anodized / Neoprene Lip
43STST	\$ 24.58	\$ 80.65	Meeting Stile	Stainless Steel Astragal 2 1/2" (63.5)	101A	\$ 10.74	\$ 35.24	Threshold	Aluminum Threshold 5" (127.0)
44A	\$ 3.87	\$ 12.70	Meeting Stile	Aluminum 1 1/2" (38.1)	102A	\$ 11.25	\$ 36.90	Threshold	Aluminum 5 1/2" (139.7) Off Set Threshold
44SP	\$ 9.02	\$ 29.59	Meeting Stile	Steel Prime Astragal 1 1/2" (38.1)	103A	\$ 13.72	\$ 45.03	Threshold	Aluminum 7" (177.8) Off Set Threshold
44STST	\$ 14.72	\$ 48.31	Meeting Stile	Stainless Steel Astragal 1 1/2" (38.1)	104A	\$ 12.96	\$ 42.51	Threshold	Aluminum 6" (152.4) Off Set Threshold
47A	\$ 7.29	\$ 23.92	Meeting Stile	Aluminum 1 3/4" (44.5)	105A	\$ 12.40	\$ 40.70	Threshold	Aluminum Bulkhead Door Threshold 3" (76.2)
50A	\$ 5.15	\$ 16.89	Gasketing	Aluminum / Neoprene	105B	\$ 45.89	\$ 150.55	Threshold	Bronze Bulkhead Door Threshold 1 7/8" (47.6)
50MA	\$ 5.81	\$ 19.05	Door Sweep	Aluminum / Beveled Neoprene	106A	\$ 9.08	\$ 29.81	Threshold	Aluminum Bulkhead Door Threshold 1 9/16" (39.7)
51A-120	\$ 11.64	\$ 38.18	Gasketing	Doors that open to 120°, Finger Guard	110A	\$ 8.90	\$ 29.20	Door Sweep	Aluminum Door Shoe / Pile
51A-180	\$ 12.43	\$ 40.78	Gasketing	Doors that open to 180°, Finger Guard	111A	\$ 8.90	\$ 29.20	Door Sweep	Aluminum Door Shoe / Neoprene
52A	\$ 8.34	\$ 27.37	Door Sweep	Neoprene in Aluminum Track	117S-Bk	\$ 1.13	\$ 3.72	Gasketing	Black Silicone Seal / Self Adhesive
53A	\$ 6.36	\$ 20.86	Door Sweep	Neoprene in Aluminum Track	118B	\$ 1.64	\$ 5.37	Gasketing	Cushion Bronze / Adhesive 9/16" (14.2)
55AA	\$ 17.44	\$ 57.21	Meeting Stile	Clear Anodized / Solid Insert Adjustable Surface Astragal	119B	\$ 2.07	\$ 6.79	Gasketing	Cushion Bronze / Adhesive 3/4" (19.1)
55D	\$ 25.58	\$ 83.91	Meeting Stile	Dark Bronze Anodized / Solid Insert Adjustable Surface Astragal	119WB	\$ 2.31	\$ 7.57	Gasketing	Cushion Bronze / Adhesive 1 1/8"(28.6)
55FS-AA	\$ 22.26	\$ 73.05	Meeting Stile	Clear Anodized / Solid Insert Intumescent, Adjustable Surface Astragal	119WS	\$ 3.70	\$ 12.13	Gasketing	Cushion Stainless Steel / Adhesive 1 1/8" (28.6)
55FS-D	\$ 27.91	\$ 91.56	Meeting Stile	Dark Bronze Anodized / Solid Insert Intumescent, Adjustable Surface Astragal	132	CALL		Gasketing	Series, Head & Lock Side Jamb (See Catalog Part #1, 2, 3, 12)
56AA	\$ 17.44	\$ 57.21	Meeting Stile	Clear Anodized Adjustable Mortised Astragal	135	\$ 4.25	\$ 13.94	Meeting Stile	Glass Edge Protection 1/2"(12.7) PVC
56D	\$ 25.58	\$ 83.91	Meeting Stile	Dark Bronze Anodized / Solid Insert Intumescent, Adjustable Mortised Astragal	136	\$ 5.90	\$ 19.36	Meeting Stile	Glass Edge Protection 3/4"(19.1) PVC
56G	\$ 25.58	\$ 83.91	Meeting Stile	Gold Anodized Adjustable Mortise Astragal	137	\$ 5.63	\$ 18.49	Meeting Stile	PVC / Pile for 1/2" (12.7) Glass Door
56FS-AA	\$ 22.26	\$ 73.05	Meeting Stile	Clear Anodized Intumescent Fire Stop	137P-Bk	\$ 1.87	\$ 6.15	Gasketing	Pile Brush / Black / PSA
56FS-D	\$ 29.77	\$ 97.66	Meeting Stile	Dark Bronze Anod. Intumescent Fire Stop	137P-Gy	\$ 1.87	\$ 6.15	Gasketing	Pile Brush / Gray / PSA
56FS-G	\$ 29.77	\$ 97.66	Meeting Stile	Gold Anodized Intumescent Fire Stop	138	\$ 7.32	\$ 24.03	Meeting Stile	PVC / Pile for 3/4" (19.1) Glass Door
58FS-AA	\$ 8.15	\$ 26.75	Gasketing	Clear Anodized Intumescent Fire Stop	139A	\$ 6.18	\$ 20.26	Gasketing	Aluminum / Neoprene
58FS-D	\$ 10.40	\$ 34.13	Gasketing	Dark Bronze Intumescent Fire Stop	139D	\$ 8.31	\$ 27.26	Gasketing	Dark Bronze Anodized / Neoprene
58FS-G	\$ 10.40	\$ 34.13	Gasketing	Gold Anodized Intumescent Fire Stop	139N	\$ 2.85	\$ 9.36	Gasketing	Neoprene 1 1/4"(31.8) x 3/16"(3.2)
59FS-A	\$ 13.20	\$ 43.32	Gasketing	Aluminum Intumescent / Neoprene Blade	140A	\$ 7.81	\$ 25.62	Gasketing	Aluminum / Neoprene
63A	\$ 6.65	\$ 21.82	Threshold	Aluminum Threshold 3"(76.2) x 1/4"(6.4)	140FS-A	\$ 11.39	\$ 37.36	Gasketing	Aluminum / Intumescent Fire Stop / Neoprene
63B	\$ 21.95	\$ 72.00	Threshold	Bronze Threshold 3" (76.2)	141A	\$ 7.11	\$ 23.32	Rain Drip	Aluminum Extruded Rain Drip
64A	\$ 4.78	\$ 15.68	Threshold	Aluminum Threshold 2 1/2" (63.5)	142A	\$ 6.10	\$ 20.01	Rain Drip	Aluminum Extruded Rain Drip
65A	\$ 14.52	\$ 47.66	Threshold	Aluminum Threshold / Neoprene Stop 5" (127.0) wide 1/2" (12.7) high	142D	\$ 10.29	\$ 33.75	Gasketing	Dark Bronze Anodized Rain Drip
68A	\$ 4.96	\$ 16.29	Threshold	Aluminum Threshold Rest 1/2" (12.7)	142G	\$ 10.29	\$ 33.75	Gasketing	Gold Anodized Rain Drip
68B	\$ 19.41	\$ 63.68	Threshold	Bronze Threshold Rest 1/2" (12.7)	144A	\$ 3.31	\$ 10.86	Gasketing	Aluminum Extruded Hook / Silicone Tube
69A	\$ 4.78	\$ 15.68	Threshold	Aluminum Plate 1/4"(6.4) x 1 1/8"(28.6)	148	CALL		Gasketing	Series, Interlocking Water Shed (See Catalog. Part #142, 25A, 144, 11)
70A	\$ 8.89	\$ 29.17	Threshold	Aluminum Threshold 3" (76.2)	153A	\$ 8.01	\$ 26.29	Door Sweep	Aluminum Angle Track / Neoprene
70B	\$ 41.63	\$ 136.59	Threshold	Bronze Threshold 3" (76.2)					
72A	\$ 10.18	\$ 33.39	Door Sweep	Neoprene in Aluminum Track					
73A	\$ 11.12	\$ 36.48	Threshold	Aluminum 4"(10.6) / Neoprene Stop					
76B	\$ 56.41	\$ 185.07	Threshold	Bronze / Water Return option 3 1/2" (88.9)					

CATALOG ITEMS NUMERICAL INDEX

PART NUMBER	LIST PRICE PER FOOT	LIST PRICE PER METER	TYPE	DESCRIPTION
153D	\$ 12.09	\$ 39.67	Door Sweep	Dark Bronze Anodized Angle Track / Neoprene
154A	\$ 9.16	\$ 30.04	Door Sweep	Aluminum Angle Track / Pile
154D	\$ 12.32	\$ 40.41	Door Sweep	Dark Bronze Anodized Angle Track / Pile
155AA	\$ 18.31	\$ 60.07	Meeting Stile	Clear Anodized / Pile Brush Surface Mounted Adjustable Astragal
155D	\$ 26.86	\$ 88.11	Meeting Stile	Dark Bronze Anodized / Pile Brush Surface Mounted Adjustable Astragal
156AA	\$ 17.44	\$ 57.21	Meeting Stile	Clear Anodized / Pile Brush Mortised Adjustable Astragal
156D	\$ 25.58	\$ 83.91	Meeting Stile	Dark Bronze Anodized / Pile Brush Mortised Adjustable Astragal
156G	\$ 25.58	\$ 83.91	Meeting Stile	Gold Anodized / Pile Brush Mortised Adjustable Astragal
159FS-A	\$ 11.51	\$ 37.78	Meeting Stile	Aluminum Track Intumescent Fire Stop
164A	\$ 11.68	\$ 38.32	Threshold	Aluminum / Smooth Top 4" (101.6) x 1/2" (12.7)
164STST	\$ 100.12	\$ 328.50	Threshold	Stainless Steel / Smooth Top 4" (101.6) x 1/2" (12.7)
168A	\$ 8.36	\$ 27.43	Threshold	Aluminum Threshold Rest 3/4" (19.1)
168B	\$ 25.99	\$ 85.27	Threshold	Bronze Threshold Rest 3/4" (19.1)
170AA	\$ 18.58	\$ 60.96	Gasketing	Clear Anodized / Adjustable Sound Seal
170D	\$ 24.58	\$ 80.66	Gasketing	Dark Bronze Anodized / Adjustable Sound Seal
170G	\$ 24.58	\$ 80.66	Gasketing	Gold Anodized / Adjustable Sound Seal
175A	\$ 13.32	\$ 43.72	Threshold	Aluminum / Water Return option 5" (127.0)
175B	\$ 67.22	\$ 220.54	Threshold	Bronze / Water Return option 5" (127.0)
188FS	\$ 2.59	\$ 8.48	Gasketing	Intumescent / Neoprene / PSA Compress-O-Matic
188S-Bk	\$ 1.48	\$ 4.87	Gasketing	Silicone / Black / PSA Compress-O-Matic
188S-Wh	\$ 1.48	\$ 4.87	Gasketing	Silicone / White / PSA Compress-O-Matic
188S-Br	\$ 1.48	\$ 4.87	Gasketing	Silicone / Brown / PSA Compress-O-Matic
188S-Gy	\$ 1.48	\$ 4.87	Gasketing	Silicone / Grey / PSA Compress-O-Matic
200AIL	Call with dimension		Louver	Vision-proof Louver, fire rated
226	\$ 3.55		Fastener	Stainless Steel Sleeve Anchor 1/4" (6.4) x 3" (76.2) Long (Formally Part # 25M SS)
233A	\$ 9.59	\$ 31.46	Threshold	Aluminum Ramp 3" (76.2)
234A	\$ 9.59	\$ 31.46	Threshold	Aluminum Ramp 3" (76.2) 1/4" (6.4) to 1/2" (12.8) Ram
235A	\$ 9.59	\$ 31.46	Threshold	Aluminum Ramp 3" (76.2), 0 to 1/4" (6.4) Ram
236A	\$ 12.70	\$ 41.68	Threshold	Aluminum Ramp 6" (152.4)
237A	\$ 13.95	\$ 45.77	Threshold	Aluminum Ramp 3 1/2" (88.9)
238A	\$ 13.95	\$ 45.77	Threshold	Aluminum Ramp 3 1/2" (88.9)
239A	\$ 13.95	\$ 45.77	Threshold	Aluminum Ramp 3 1/2" (88.9)
240A	\$ 4.83	\$ 15.86	Gasketing	Aluminum / Neoprene, Security
245	\$ 66.54	each	Window Protection	Brass Sash Pulley 120 lbs. Wt.
245BB	\$ 96.18	each	Window Protection	Brass Sash Pulley 250 lbs. Wt.
253A	\$ 4.78	\$ 15.68	Door Sweep	Aluminum / Neoprene Insert / Mortised
253FS-A	\$ 13.57	\$ 44.53	Door Sweep	Aluminum / Intumescent Fire Stop / Mortised
254A	\$ 5.15	\$ 16.89	Door Sweep	Aluminum Track / Pile Insert / Mortised
255AA	\$ 17.12	\$ 56.17	Door Sweep	Clear Anodized / Adjustable Surface Sweep w/ Spring / Pile Insert
255D	\$ 24.73	\$ 81.15	Door Sweep	Dark Bronze Anodized / Adjustable Surface Sweep w/ Spring / Pile Insert
258R	\$ 70.96	\$ 232.82	Threshold	Rubber ramp 6" (152.4). Used with #259R
259R	\$ 23.65	\$ 77.59	Threshold	Rubber ramp 6" (152.4) x 1/2" (12.7)
265A	\$ 13.19	\$ 43.29	Threshold	Aluminum 5" (127.0) / Neoprene Stop
267A	\$ 10.65	\$ 34.95	Threshold	Aluminum 2.155" (54.7) / Neoprene Stop
268A	\$ 4.35	\$ 14.26	Threshold	Aluminum Threshold Rest 3/8" (9.5)
268B	\$ 19.32	\$ 63.39	Threshold	Bronze Threshold Rest 3/8" (9.5)
269A	\$ 5.32	\$ 17.46	Threshold	Aluminum Assembly Connector
270A	\$ 8.05	\$ 26.40	Gasketing	Aluminum Door Stop / Neoprene

PART NUMBER	LIST PRICE PER FOOT	LIST PRICE PER METER	TYPE/SIZE	DESCRIPTION
272A	\$ 8.05	\$ 26.40	Gasketing	Aluminum Door Stop / Neoprene
302FS-AA	\$ 7.16	\$ 23.50	Gasketing	Clear Anodized / Neoprene Intumescent Fire Stop
302FS-B	\$ 18.70	\$ 61.35	Gasketing	Bronze / Neoprene Intumescent Fire Stop
302FS-D	\$ 9.45	\$ 31.00	Gasketing	Dark Bronze Anodized / Neoprene / Intumescent Fire Stop
302FS-G	\$ 9.45	\$ 31.00	Gasketing	Gold Anodized / Neoprene Intumescent Fire Stop
304A	\$ 5.45	\$ 17.88	Threshold	Aluminum Butt Threshold 1 1/2" (38.1) wide
304D	\$ 7.10	\$ 23.29	Threshold	Dark Bronze Anodized Butt Threshold 1 1/2" (38.1) wide
304G	\$ 7.10	\$ 23.29	Threshold	Gold Anodized Butt Threshold 1 1/2" (38.1) wide
312A	\$ 4.35	\$ 14.26	Gasketing	Aluminum / Neoprene
312N	\$ 68.68	each	Gasketing	Neoprene / PSA (50 ft.) 3/26" (4.8) x 1/2" (12.7)
314AA	\$ 6.90	\$ 22.64	Gasketing	Clear Anodized / Neoprene
314B	\$ 16.85	\$ 55.28	Gasketing	Bronze / Neoprene
314D	\$ 7.91	\$ 25.95	Gasketing	Dark Bronze Anodized / Neoprene
314G	\$ 7.91	\$ 25.95	Gasketing	Gold Anodized / Neoprene
318AA	\$ 8.11	\$ 26.61	Gasketing	Clear Anodized / Neoprene
318D	\$ 9.03	\$ 29.64	Gasketing	Dark Bronze Anodized / Neoprene
318G	\$ 9.03	\$ 29.64	Gasketing	Gold Anodized / Neoprene
318N	\$ 2.53	\$ 8.31	Gasketing	Closed Cell Sponge Neoprene Black 3/8" (9.53) x 3/4" (19.05)
320A	\$ 36.91	each	18 1/8"-36" (46.0-91.4)	Aluminum / Economical Mortised Automatic Door Bottom
	\$ 39.33	each	36 1/8"-48" (91.7-121.9)	
	\$ 49.16	each	48 1/8"-54" (122.2-137.1)	
	\$ 61.43	each	54 1/8"-60" (137.4-152.4)	
321AA	\$ 41.69	each	18 1/8"-36" (46.0-91.4)	Clear Anodized / Economical Mortised Automatic Door Bottom
	\$ 53.67	each	36 1/8"-48" (91.7-121.9)	
	\$ 67.19	each	48 1/8"-54" (122.2-137.1)	
	\$ 83.97	each	54 1/8"-60" (137.4-152.4)	
321D	\$ 49.98	each	18 1/8"-36" (46.0-91.4)	Dark Bronze Anodized / Economical Mortised Automatic Door Bottom
	\$ 69.11	each	36 1/8"-48" (91.7-121.9)	
	\$ 86.37	each	48 1/8"-54" (122.2-137.1)	
	\$ 107.95	each	54 1/8"-60" (137.4-152.4)	
322A	\$ 8.11	\$ 26.61	Gasketing	Aluminum with Neoprene
322D	\$ 11.34	\$ 37.19	Gasketing	Dark Bronze Anodized with Neoprene
322G	\$ 11.34	\$ 37.19	Gasketing	Gold Anodized with Neoprene
323A	\$ 36.91	\$ 121.10	18 1/8"-36" (46.0-91.4)	Aluminum / Mortised, Handed Automatic Door Bottom
	\$ 39.33	\$ 129.03	36 1/8"-48" (91.7-121.9)	
	\$ 49.16	\$ 161.30	48 1/8"-54" (122.2-137.1)	
	\$ 61.43	\$ 201.54	54 1/8"-60" (137.4-152.4)	
326AA	\$ 7.44	\$ 24.41	Gasketing	Clear Anodized / Neoprene Compress O-Matic Seal
326B	\$ 18.34	\$ 60.18	Gasketing	Bronze / Neoprene Compress O-Matic Seal
326D	\$ 10.02	\$ 32.88	Gasketing	Dark Bronze Anodized / Neoprene Compress O-Matic Seal
326G	\$ 10.02	\$ 32.88	Gasketing	Gold Anodized / Neoprene Compress O-Matic Seal
328AA	\$ 7.20	\$ 23.63	Gasketing	Clear Anodized / Neoprene Compress O-Matic Seal
328A-L	\$ 11.68	\$ 38.33	Gasketing	Photoluminescent Sill Protection
328B	\$ 16.85	\$ 55.28	Gasketing	Bronze / Neoprene Compress O-Matic Seal
328D	\$ 9.72	\$ 31.90	Gasketing	Dark Bronze Anodized / Neoprene Compress O-Matic Seal
328G	\$ 9.72	\$ 31.90	Gasketing	Gold Anodized Compress O-Matic
328FS-AA	\$ 10.21	\$ 33.49	Gasketing	Clear Anodized / Neoprene Intumescent Fire Stop
328FS-D	\$ 13.53	\$ 44.38	Gasketing	Dark Bronze Anodized / Neoprene Intumescent Fire Stop

PART NUMBER	LIST PRICE PER FOOT	LIST PRICE PER METER	TYPE/SIZE	DESCRIPTION	PART NUMBER	LIST PRICE	SIZE	DESCRIPTION
328FS-G	\$ 13.53	\$ 44.38	Gasketing	Gold Anodized / Neoprene Intumescent Fire Stop	360A	\$ 79.30 each	12"-18" (30.4-45.0)	Aluminum / Mortised
328SPB	\$ 22.91	each	Miscellaneous	Steel Prime Closer Plate Bracket		\$ 63.41 each	18 1/8"-36" (46.0-91.4)	Automatic Door Bottom / Heavy Duty
328SPB-ST	\$ 81.10	each	Miscellaneous	Stainless Steel Closer Plate Bracket		\$ 71.96 each	36 1/8"-48" (91.7-121.9)	
329AA	\$ 5.81	\$ 19.05	Gasketing	Clear Anodized with Beveled Neoprene		\$ 89.99 each	48 1/8"-54" (122.2-137.1)	
329B	\$ 15.53	\$ 50.94	Gasketing	Bronze with Beveled Neoprene		\$ 116.04 each	54 1/8"-60" (137.4-152.4)	
329D	\$ 8.97	\$ 29.42	Gasketing	Dark Bronze Anodized with Beveled Neoprene	361AA	\$ 92.94 each	12"-18" (30.4-45.0)	Clear Anodized
329G	\$ 8.97	\$ 29.42	Gasketing	Gold Anodized / Beveled Neoprene	362AA	\$ 73.36 each	18 1/8"-36" (46.0-91.4)	Automatic Door Bottom / Heavy Duty
334A	\$ 5.74	\$ 18.84	Meeting Stile	Aluminum with Neoprene Lip		\$ 81.34 each	36 1/8"-48" (91.7-121.9)	
335A	\$ 5.74	\$ 18.84	Meeting Stile	Aluminum with Pile Brush		\$ 101.68 each	48 1/8"-54" (122.2-137.1)	
339AA	\$ 6.41	\$ 21.04	Gasketing	Clear Anodized / Neoprene		\$ 127.11 each	54 1/8"-60" (137.4-152.4)	
339B	\$ 16.85	\$ 55.28	Gasketing	Bronze / Neoprene	361D	\$ 123.28 each	12"-18" (30.4-45.0)	Dark Bronze Anodized
339D	\$ 9.83	\$ 32.26	Gasketing	Dark Bronze Anodized / Neoprene	362D	\$ 98.61 each	18 1/8"-36" (46.0-91.4)	Automatic Door Bottom / Heavy Duty
339G	\$ 9.83	\$ 32.26	Gasketing	Gold Anodized / Neoprene		\$ 103.09 each	36 1/8"-48" (91.7-121.9)	
339FS-AA	\$ 10.21	\$ 33.49	Door Sweep	Clear Anodized / Neoprene Intumescent Fire / Smoke Stop		\$ 128.87 each	48 1/8"-54" (122.2-137.1)	
339FS-D	\$ 13.29	\$ 43.61	Door Sweep	Dark Bronze Anodized / Neoprene Intumescent Fire / Smoke Stop		\$ 161.08 each	54 1/8"-60" (137.4-152.4)	
339WAA	\$ 8.78	\$ 28.81	Gasketing	Clear Anodized / Neoprene	361G	\$ 123.28 each	12"-18" (30.4-45.0)	Gold Anodized
339WB	\$ 17.60	\$ 57.73	Gasketing	Bronze / Neoprene	362G	\$ 98.61 each	18 1/8"-36" (46.0-91.4)	Automatic Door Bottom / Heavy Duty
339WD	\$ 11.70	\$ 38.40	Gasketing	Dark Bronze Anodized Neoprene		\$ 103.09 each	36 1/8"-48" (91.7-121.9)	
339WG	\$ 11.70	\$ 38.40	Gasketing	Gold Anodized / Neoprene		\$ 128.87 each	48 1/8"-54" (122.2-137.1)	
340A	\$ 57.50 each			12"-18" (30.4-45.0) Aluminum / Mortised / Handed		\$ 161.08 each	54 1/8"-60" (137.4-152.4)	
	\$ 43.47 each			18 1/8"-36" (46.0-91.4) Automatic Door Bottom	364A	\$ 81.08 each	12"-18" (30.4-45.0)	Aluminum / Mortised
	\$ 46.31 each			36 1/8"-48" (91.7-121.9)		\$ 64.83 each	18 1/8"-36" (46.0-91.4)	Automatic Door Bottom / Heavy Duty
	\$ 57.85 each			48 1/8"-54" (122.2-137.1)		\$ 73.38 each	36 1/8"-48" (91.7-121.9)	
	\$ 72.39 each			54 1/8"-60" (137.4-152.4)		\$ 91.77 each	48 1/8"-54" (122.2-137.1)	
350A	\$ 57.50 each			12"-18" (30.4-45.0) Aluminum / Mortised		\$ 114.70 each	54 1/8"-60" (137.4-152.4)	
	\$ 43.47 each			18 1/8"-36" (46.0-91.4) Automatic Door Bottom	364FS-A	\$ 92.08 each	18 1/8"-36" (46.0-91.4)	Aluminum / Mortised
	\$ 46.31 each			36 1/8"-48" (91.7-121.9)		\$ 108.81 each	36 1/8"-48" (91.7-121.9)	Automatic Door Bottom
	\$ 57.85 each			48 1/8"-54" (122.2-137.1)		\$ 160.56 each	48 1/8"-54" (122.2-137.1)	Heavy Duty / Intumescent
	\$ 72.39 each			54 1/8"-60" (137.4-152.4)		\$ 192.51 each	54 1/8"-60" (137.4-152.4)	
350LSA	\$ 61.45 each			12"-18" (30.4-45.0) Aluminum / Mortised	364LSA	\$ 92.29 each	12"-18" (30.4-45.0)	Aluminum / Mortised
	\$ 49.12 each			18 1/8"-36" (46.0-91.4) Automatic Door Bottom / Low Force		\$ 73.80 each	18 1/8"-36" (46.0-91.4)	Automatic Door Bottom
	\$ 52.06 each			36 1/8"-48" (91.7-121.9)		\$ 82.95 each	36 1/8"-48" (91.7-121.9)	Heavy Duty / Low Force
350X	\$ 107.36 each			12"-18" (30.4-45.0) Aluminum / Mortised	365AA	\$ 95.37 each	12"-18" (30.4-45.0)	Clear Anodized / Surface Mounted
	\$ 85.08 each			18 1/8"-36" (46.0-91.4) Automatic Door Bottom / Lead-Lined	366AA	\$ 76.27 each	18 1/8"-36" (46.0-91.4)	Automatic Door Bottom / Heavy Duty
	\$ 99.28 each			36 1/8"-48" (91.7-121.9)		\$ 88.61 each	36 1/8"-48" (91.7-121.9)	
351AA	\$ 65.73 each			12"-18" (30.4-45.0) Clear Anodized		\$ 110.76 each	48 1/8"-54" (122.2-137.1)	
352AA	\$ 52.59 each			18 1/8"-36" (46.0-91.4) Surface Mounted Auto. Door Bottom		\$ 138.44 each	54 1/8"-60" (137.4-152.4)	
	\$ 63.18 each			36 1/8"-48" (91.7-121.9)	365D	\$ 127.00 each	12"-18" (30.4-45.0)	Dark Bronze Anodized
	\$ 79.01 each			48 1/8"-54" (122.2-137.1)	366D	\$ 101.60 each	18 1/8"-36" (46.0-91.4)	Automatic Door Bottom / Heavy Duty
	\$ 98.77 each			54 1/8"-60" (137.4-152.4)		\$ 103.09 each	36 1/8"-48" (91.7-121.9)	
351D	\$ 73.52 each			12"-18" (30.4-45.0) Dark Bronze Anodized		\$ 128.87 each	48 1/8"-54" (122.2-137.1)	
352D	\$ 58.80 each			18 1/8"-36" (46.0-91.4) Surface Mounted Auto. Door Bottom		\$ 161.08 each	54 1/8"-60" (137.4-152.4)	
	\$ 81.27 each			36 1/8"-48" (91.7-121.9)	365G	\$ 127.00 each	12"-18" (30.4-45.0)	Gold Anodized
	\$ 101.60 each			48 1/8"-54" (122.2-137.1)	366G	\$ 101.60 each	18 1/8"-36" (46.0-91.4)	Automatic Door Bottom / Heavy Duty
	\$ 127.00 each			54 1/8"-60" (137.4-152.4)		\$ 103.09 each	36 1/8"-48" (91.7-121.9)	
351LS-AA	\$ 71.18 each			12"-18" (30.4-45.0) Clear Anodized		\$ 128.87 each	48 1/8"-54" (122.2-137.1)	
352LS-AA	\$ 56.95 each			18 1/8"-36" (46.0-91.4) Automatic Door Bottom / Low Force		\$ 161.08 each	54 1/8"-60" (137.4-152.4)	
	\$ 67.54 each			36 1/8"-48" (91.7-121.9)	365FS-AA	\$ 102.72 each	18 1/8"-36" (46.0-91.4)	Clear Anodized / Surface Mounted
351LS-D	\$ 79.13 each			12"-18" (30.4-45.0) Dark Bronze Anodized		\$ 123.26 each	36 1/8"-48" (91.7-121.9)	Automatic Door Bottom
352LS-D	\$ 63.27 each			18 1/8"-36" (46.0-91.4) Automatic Door Bottom / Low Force		\$ 183.07 each	48 1/8"-54" (122.2-137.1)	Heavy Duty / Intumescent
	\$ 85.91 each			36 1/8"-48" (91.7-121.9)		\$ 219.67 each	54 1/8"-60" (137.4-152.4)	
351X-AA	\$ 112.69 each			12"-18" (30.4-45.0) Clear Anodized	365FS-D	\$ 129.76 each	18 1/8"-36" (46.0-91.4)	Dark Bronze Anodized / Surface Mounted
352X-AA	\$ 87.73 each			18 1/8"-36" (46.0-91.4) Automatic Door Bottom		\$ 139.13 each	36 1/8"-48" (91.7-121.9)	Automatic Door Bottom
	\$ 103.41 each			36 1/8"-48" (91.7-121.9) Lead-Lined / Regular Duty		\$ 207.60 each	48 1/8"-54" (122.2-137.1)	Heavy Duty / Intumescent
351X-D	\$ 123.37 each			12"-18" (30.4-45.0) Dark Bronze Anodized		\$ 249.11 each	54 1/8"-60" (137.4-152.4)	
352X-D	\$ 97.71 each			18 1/8"-36" (46.0-91.4) Automatic Door Bottom	365FS-G	\$ 129.76 each	18 1/8"-36" (46.0-91.4)	Gold Anodized / Surface Mounted
	\$ 123.37 each			36 1/8"-48" (91.7-121.9) Lead-Lined / Regular Duty		\$ 139.13 each	36 1/8"-48" (91.7-121.9)	Automatic Door Bottom
354A	\$ 43.58 each			18 1/8"-36" (46.0-91.4) Aluminum / Mortised, Handed		\$ 207.60 each	48 1/8"-54" (122.2-137.1)	Heavy Duty / Intumescent
	\$ 49.38 each			36 1/8"-48" (91.7-121.9) Automatic Door Bottom / Regular Duty		\$ 249.11 each	54 1/8"-60" (137.4-152.4)	
355A	\$ 43.58 each			18 1/8"-36" (46.0-91.4) Aluminum / Mortised	365LS-AA	\$ 100.74 each	12"-18" (30.4-45.0)	Clear Anodized
	\$ 49.38 each			36 1/8"-48" (91.7-121.9) Automatic Door Bottom / Regular Duty	366LS-AA	\$ 80.62 each	18 1/8"-36" (46.0-91.4)	Automatic Door Bottom
357FS	\$ 31.69 each			Miscellaneous Intumet Fire Bolt		\$ 92.97 each	36 1/8"-48" (91.7-121.9)	Heavy Duty / Low Force

CATALOG ITEMS NUMERICAL INDEX

PART NUMBER	LIST PRICE PER FOOT	LIST PRICE PER METER	SIZE/TYPE	DESCRIPTION	PART NUMBER	LIST PRICE PER FOOT	LIST PRICE PER METER	TYPE	DESCRIPTION
365LS-G	\$ 132.61	each	12"-18" (30.4-45.0)	Gold Anodized	477G	\$ 9.83	\$ 32.26	Door Sweep	Gold Anodized / Snap-On Cover / Neoprene
366LS-G	\$ 106.09	each	18 1/8"-36" (46.0-91.4)	Automatic Door Bottom	478AA	\$ 10.05	\$ 32.96	Gasketing	Clear Anodized / Snap-On Cover / Double Neoprene/ Compress-O-Matic
	\$ 107.59	each	36 1/8"-48" (91.7-121.9)	Heavy Duty / Low Force	478D	\$ 13.45	\$ 44.13	Gasketing	Dark Bronze Anodized / Snap-On Cover / Double Neoprene/ Compress-O-Matic
367AA	\$ 124.64	each	12"-18" (30.4-45.0)	Clear Anodized / Surface-Mounted	485A	\$ 4.83	\$ 15.86	Gasketing	Aluminum/ Neoprene Compress O-Matic
368AA	\$ 95.87	each	18 1/8"-36" (46.0-91.4)	Automatic Door Bottom	485D	\$ 7.41	\$ 24.31	Gasketing	Dark Bronze Anodized / Neoprene Compress O-Matic
	\$ 110.25	each	36 1/8"-48" (91.7-121.9)	Heavy Duty / High Sound	485G	\$ 7.41	\$ 24.31	Gasketing	Aluminum/ Neoprene Compress O-Matic
	\$ 137.78	each	48 1/8"-54" (122.2-137.1)		488F5	\$ 2.25	\$ 7.38	Gasketing	Intumescent / Neoprene / PSA
367D	\$ 142.95	each	12"-18" (30.4-45.0)	Dark Bronze Anodized / Surface-Mounted	488S-Bk	\$ 1.13	\$ 3.72	Gasketing	Silicone Seal with PSA, black color
368D	\$ 113.40	each	18 1/8"-36" (46.0-91.4)	Automatic Door Bottom	488S-Br	\$ 1.13	\$ 3.72	Gasketing	Silicone Seal with PSA, brown color
	\$ 130.44	each	36 1/8"-48" (91.7-121.9)	Heavy Duty / High Sound	488S-Gy	\$ 1.13	\$ 3.72	Gasketing	Silicone Seal with PSA, gray color
	\$ 163.02	each	48 1/8"-54" (122.2-137.1)		488S-Wh	\$ 1.13	\$ 3.72	Gasketing	Silicone Seal with PSA, white color
367G	\$ 142.95	each	12"-18" (30.4-45.0)	Gold Anodized / Surface-Mounted	500B	\$ 9.52	\$ 31.23	Window Protection	Bronze Side Jamb without Return Flange 2 1/8"(53.1)
368G	\$ 113.40	each	18 1/8"-36" (46.0-91.4)	Automatic Door Bottom	500Z	\$ 3.17	\$ 10.41	Window Protection	Zinc Side Jamb without Return Flange 2 1/8"(53.1)
	\$ 130.44	each	36 1/8"-48" (91.7-121.9)	Heavy Duty / High Sound	511A	\$ 9.37	\$ 30.76	Door Sweep	Aluminum / Rubber 1/16"(1.6) thick
	\$ 163.02	each	48 1/8"-54" (122.2-137.1)		520AA	\$ 8.57	\$ 28.10	Miscellaneous	Clear Anodized / Double Neoprene / Sound Absorber for system #4482
369A	\$ 113.71	each	12"-18" (30.4-45.0)	Aluminum / Mortised	522A	\$ 5.63	\$ 18.49	Threshold	Aluminum Threshold 1/2" (12.7) High
	\$ 85.51	each	18 1/8"-36" (46.0-91.4)	Automatic Door Bottom	522WA	\$ 8.17	\$ 26.79	Threshold	Aluminum with Unfinished Oak Insert
	\$ 98.31	each	36 1/8"-48" (91.7-121.9)	Heavy Duty / High Sound	523A	\$ 12.35	\$ 40.52	Threshold	Aluminum Butt Threshold 3" (76.2)
	\$ 123.06	each	48 1/8"-54" (122.2-137.1)		524A	\$ 14.16	\$ 46.45	Threshold	Aluminum Butt Threshold 3" (76.2) with Neoprene
370A	\$ 13.56	\$ 44.50	Gasketing	Aluminum / Magnetic Seal	525A	\$ 20.58	\$ 67.53	Threshold	Aluminum Thermal Break Threshold 5" (127.0) / Neoprene
370D	\$ 20.84	\$ 68.36	Gasketing	Dark Bronze Anodized / Magnetic Seal	526A	\$ 22.64	\$ 74.27	Threshold	Aluminum Thermal Break Threshold 6" (152.4) / Neoprene
375AA	\$ 14.77	\$ 48.47	Gasketing	Clear Anodized/ Magnetic / Snap-On Cover	539AA	\$ 7.93	\$ 26.01	Gasketing	Clear Anodized / Solid Neoprene
375D	\$ 19.76	\$ 64.82	Gasketing	Dark Bronze Anodized / Magnetic Seal / Snap-On Cover	539D	\$ 11.90	\$ 39.05	Gasketing	Dark Bronze Anodized / Solid Neoprene
376AA	\$ 9.93	\$ 32.57	Gasketing	Clear Anodized / Neoprene / Snap-On Cover	544A	\$ 8.23	\$ 27.00	Threshold	Aluminum Handicap Threshold 4"(101.6)
376D	\$ 13.26	\$ 43.51	Gasketing	Dark Bronze Anodized / Neoprene / Snap-On Cover	545A	\$ 9.85	\$ 32.33	Threshold	Aluminum Handicap Threshold 5"(127.0)
381A	\$ 6.60	\$ 21.65	Gasketing	Aluminum / Double Neoprene Lip	545B	\$ 36.21	\$ 118.81	Threshold	Bronze Handicap Threshold 5"(127.0)
383AA	\$ 8.95	\$ 29.38	Meeting Stiles	Clear Anodized / Double Neoprene	545D	\$ 19.47	\$ 63.87	Threshold	Dark Bronze Anodized Handicap Threshold 5"(127.0)
383D	\$ 10.21	\$ 33.51	Meeting Stiles	Dark Bronze Anodized / Double Neoprene	546A	\$ 12.71	\$ 41.69	Threshold	Aluminum Handicap Threshold 6"(152.4)
383FS-AA	\$ 12.75	\$ 41.82	Meeting Stiles	Clear Anodized / Neoprene / Intumescent	547A	\$ 14.89	\$ 48.86	Threshold	Aluminum Handicap Threshold 7"(177.8)
383FS-D	\$ 17.26	\$ 56.63	Meeting Stiles	Dark Brown Anodized / Neoprene / Intumescent	548A	\$ 19.13	\$ 62.76	Threshold	Aluminum Handicap Threshold 8"(203.2)
398AA	\$ 5.25	\$ 17.23	Meeting Stiles	Clear Anodized / Pile with Fin Seal / PSA	555AA	\$ 17.44	\$ 57.21	Meeting Stile	Clear Anodized / Neoprene Insert Adjustable Surface Astragal
400B	\$ 8.69	\$ 28.52	Window Protection	Bronze Side Jamb without Return Flange 1 3/4" (44.5)	555D	\$ 25.58	\$ 83.91	Meeting Stile	Dark Bronze Anodized / Neoprene Insert Adjustable Surface Astragal
400Z	\$ 2.42	\$ 7.94	Window Protection	Zinc Side Jamb without Return Flange 1 3/4" (44.5)	555FS-AA	\$ 22.26	\$ 73.05	Meeting Stile	Clear Anodized/ Neoprene/ Intumescent Adjustable Surface Astragal
426A	\$ 8.65	\$ 28.39	Gasketing	Aluminum / Neoprene for Door Closers	555FS-D	\$ 27.18	\$ 89.17	Meeting Stile	Dark Bronze Anodized / Neoprene Insert / Intumescent/ Adjustable Surface Astragal
428A	\$ 8.65	\$ 28.39	Gasketing	Aluminum / Neoprene for Door Closers	557AA	\$ 16.64	\$ 54.61	Meeting Stile	Clear Anodized / Neoprene Insert / Adjustable Mortised Astragal
429A	\$ 8.73	\$ 28.65	Gasketing	Aluminum with Neoprene Gasket for use with Coordinator or Closer Basket	557D	\$ 25.18	\$ 82.63	Meeting Stile	Dark Bronze Anodized / Neoprene Insert / Adjustable Mortised Astragal
452A	\$ 8.78	\$ 28.81	Door Sweep	Aluminum Track / Neoprene	557G	\$ 25.18	\$ 82.63	Meeting Stile	Gold Anodized / Neoprene Insert / Adjustable Mortised Astragal
469A	\$ 4.24	\$ 13.91	Threshold	Aluminum Assembly Connector	557FS-AA	\$ 21.25	\$ 69.73	Meeting Stile	Clear Anodized / Intumescent / Neoprene Adjustable Mortised Astragal
470AA	\$ 13.62	\$ 44.67	Gasketing	Clear Anodized Security Seal/ Neoprene	557FS-D	\$ 28.99	\$ 95.12	Meeting Stile	Dark Bronze Anodized / Intumescent / Neoprene / Adjustable Mortised Astragal
470D	\$ 17.87	\$ 58.62	Gasketing	Dark Bronze Anodized Security Seal / Neoprene	557FS-G	\$ 28.99	\$ 95.12	Meeting Stile	Gold Anodized / Intumescent / Neoprene Adjustable Mortised Astragal
472AA	\$ 16.85	\$ 55.29	Gasketing	Clear Anodized Security Seal / Neoprene	560A	\$ 14.52	\$ 47.66	Threshold	Aluminum Rabbeted Threshold/ Neoprene 5"(127.0) wide 7/8"(22.2) high
475AA	\$ 7.14	\$ 23.42	Gasketing	Clear Anodized / Snap-On Cover / Neoprene / Compress O-Matic Seal					
475D	\$ 10.47	\$ 34.34	Gasketing	Dark Bronze Anodized / Snap-On Cover / Neoprene / Compress O-Matic Seal					
475G	\$ 10.47	\$ 34.34	Gasketing	Gold Anodized / Snap-On Cover / Neoprene / Compress O-Matic Seal					
475A-L	\$ 11.33	\$ 37.17	Gasketing	Photoluminescent Head & Jamb Seal					
477AA	\$ 6.90	\$ 22.64	Door Sweep	Clear Anodized / Neoprene / Snap-On Cover					
477D	\$ 9.83	\$ 32.26	Door Sweep	Dark Bronze Anodized / Neoprene / Snap-On Cover					

PART NUMBER	LIST PRICE PER FOOT	LIST PRICE PER METER	TYPE	DESCRIPTION	PART NUMBER	LIST PRICE PER FOOT	LIST PRICE PER METER	TYPE	DESCRIPTION
561A	\$ 15.54	\$ 50.99	Threshold	Aluminum Rabbeted Threshold/ Neoprene 4 1/2"(114.3) wide 1" (25.4) high	674A	\$ 13.62	\$ 44.67	Threshold	Aluminum Plate 4" (101.6) wide
563A	\$ 11.55	\$ 37.90	Threshold	Aluminum Rabbeted Threshold/ Neoprene 3 9/16"(90.4) wide 7/8"(22.2) high	674B	\$ 65.87	\$ 216.13	Threshold	Bronze Plate 4" (101.6) wide
564A	\$ 8.41	\$ 27.61	Threshold	Aluminum Rabbeted Threshold/ Neoprene 3 11/16"(84.9) wide 1/2"(12.7) high	675A	\$ 16.21	\$ 53.19	Threshold	Aluminum Plate 5" (127.0) wide
564B	\$ 41.40	\$ 135.83	Threshold	Bronze Rabbeted Threshold / Neoprene 3 11/16"(84.9) wide 1/2"(12.7) high	676A	\$ 19.61	\$ 64.33	Threshold	Aluminum Plate 6" (152.4) wide
564D	\$ 16.83	\$ 55.22	Threshold	Dark Bronze Anodized / Neoprene 3 11/16"(84.9) wide 1/2"(12.7) high	676B	\$ 117.30	\$ 384.86	Threshold	Bronze Plate 6" (152.4) wide
565A	\$ 18.88	\$ 61.96	Threshold	Aluminum Rabbeted Threshold 4 7/8" (123.8) / Neoprene Stop 7/8" (22.2)	678A	\$ 27.11	\$ 88.96	Threshold	Aluminum Plate 8" (203.2) wide
565B	\$ 98.33	\$ 322.60	Threshold	Bronze Rabbeted Threshold 4 7/8" (123.8) / Neoprene Stop 7/8" (22.2)	712AA	\$ 17.44	\$ 57.21	Gasketing	Clear Anodized / Adjustable / Spring Loaded / Neoprene Insert
566A	\$ 11.81	\$ 38.75	Threshold	Aluminum Rabbeted Threshold 5"(12.7) Neoprene Stop 1/2" (12.7)	712D	\$ 25.58	\$ 83.91	Gasketing	Dark Bronze Anodized / Adjustable / Spring Loaded / Neoprene Insert
566B	\$ 43.30	\$ 142.06	Threshold	Bronze 1/2" (12.7) High Rabbeted Threshold 5"(127.0) Wide	722A	\$ 13.80	\$ 45.28	Threshold	Aluminum 3 1/2" (88.9) Wide / PVC Thermal Break / Unfinished Oak Insert
568A	\$ 13.55	\$ 44.46	Threshold	Aluminum 1/2" (12.7) High Rabbeted Threshold 6" (152.4) Wide	723A	\$ 16.16	\$ 53.01	Threshold	Aluminum 4 1/2"(114.3) Wide with PVC Thermal Break / Unfinished Oak Insert
570AA	\$ 11.02	\$ 36.16	Gasketing	Clear Anodized / Self-Adjusting / Neoprene / Compress-O-Matic	724A	\$ 24.14	\$ 79.20	Threshold	Aluminum 5 5/8"(142.9) Wide with PVC Thermal Break / Unfinished Oak Insert
571AA	\$ 11.02	\$ 36.16	Meeting Stile	Clear Anodized / Self Adjusting / Neoprene Lip	726A	\$ 28.55	\$ 93.68	Threshold	Aluminum 7 5/8" (193.7) Wide with PVC Thermal Break / Unfinished Oak Insert
600CP	\$ 3.84	/inc. /ft.	Miscellaneous	Aluminum Cover Plate Wide max. 48"(1219.2) x 1/8"(3.2) thick	729A	\$ 26.64	\$ 87.40	Threshold	Aluminum 6 5/8" (168.3) Wide with PVC Thermal Break / Unfinished Oak Insert
601CP	\$ 7.21	/inc. /ft.	Miscellaneous	Aluminum Cover Plate Wide max. 48"(1219.2) x 1/4"(6.4) thick	770AA	\$ 22.99	\$ 75.44	Gasketing	Clear Anodized / Adjustable Sound Seal Neoprene/ Compress O-Matic
622A	\$ 5.63	\$ 18.49	Threshold	Aluminum Butt Threshold 2" (50.8)	770D	\$ 28.64	\$ 93.98	Gasketing	Dark Bronze Anodized / Adjustable Sound Seal/ Neoprene Compress O-Matic
623A	\$ 7.99	\$ 26.22	Threshold	Aluminum Butt Threshold 3" (76.2)	770EMI	\$ 60.90	\$ 199.81	Gasketing	Irridate Finish Adjustable Head and Jamb
624A	\$ 12.47	\$ 40.91	Threshold	Aluminum / Thermal Break / 4" (101.6)	770FS-AA	\$ 32.91	\$ 107.99	Gasketing	Clear Anodized / Intumescent Fire Stop Neoprene / Compress O-Matic
625A	\$ 14.83	\$ 48.65	Threshold	Aluminum / Thermal Break / 5" (127.0)	770FS-D	\$ 38.47	\$ 126.23	Gasketing	Dark Bronze Anodized / Intumescent Fire Stop / Neoprene/ Compress O-Matic
626A	\$ 16.88	\$ 55.39	Threshold	Aluminum / Thermal Break / 6" (152.4)	770FS-G	\$ 38.47	\$ 126.23	Gasketing	Gold Anodized / Intumescent Fire Stop / Compress O-Matic
627A	\$ 6.96	\$ 22.85	Threshold	Aluminum / Neoprene / 2" (50.8) wide	770SPB	\$ 28.51	each	Gasketing	Strike Plate Bracket Steel Prime
628A	\$ 9.27	\$ 30.41	Threshold	Aluminum / Neoprene / 3" (76.2) wide	770SP	\$ 30.60	\$ 100.41	Gasketing	Steel Primed Adjustable Sound Seal for Cased Opening Fire Rated
635	\$ 145.84	/ 100ft.	Window Protection	Sash Pulley Chain Copper Dip 100 lb. weight rated	770STST	\$ 57.68	\$ 189.26	Gasketing	Stainless Steel Adjustable Sound Seal for Cased Opening, Fire Rated
639WA	\$ 11.31	\$ 37.12	Door Sweep	Aluminum / Solid Neoprene	810	\$ 2.31	\$ 7.59	Gasketing	Closed Cell Neoprene/ Bumper Type/ PSA .625"(15.9) x .625"(15.9)
639WD	\$ 15.35	\$ 50.37	Door Sweep	Dark Bronze Anodized / Solid Neoprene	811	\$ 3.46	\$ 11.35	Gasketing	Closed Cell Neoprene/ Bumper Type/ PSA .750"(19.1) x .625"(15.9)
643A	\$ 9.45	\$ 31.01	Threshold	Aluminum / Carpet Divider / 3"(76.2) wide	812	\$ 4.03	\$ 13.24	Gasketing	Closed Cell Neoprene/ Bumper Type/ PSA 1.00"(25.4) x .500"(12.7)
645	\$ 234.56	/ 100ft.	Window Protection	Sash Pulley Chain Copper Dip 500 lb. weight rated	813	\$ 4.90	\$ 16.07	Gasketing	Closed Cell Neoprene/ Bumper Type/ PSA 1.250"(31.8) x .625"(15.9)
653A	\$ 9.07	\$ 29.77	Threshold	Aluminum Threshold 3" (76.2) wide	824N	\$ 1.09	\$ 3.58	Gasketing	Neoprene Seal with PSA
654A	\$ 11.63	\$ 38.15	Threshold	Aluminum Threshold 4" (101.6) wide	826N	\$ 0.90	\$ 2.94	Gasketing	Neoprene Seal with PSA
654B	\$ 47.50	\$ 155.83	Threshold	Bronze Threshold 4" (101.6) wide	837SP	\$ 26.22	\$ 86.03	Gasketing	Steel Primed "L" Shaped/ 40625500PSA/ #375A for Cased Openings / Fire Rated
655A	\$ 13.92	\$ 45.67	Threshold	Aluminum Threshold 5" (127.0) wide	870AA	\$ 14.29	\$ 46.87	Gasketing	Clear Anodized / Neoprene Compress-O-Matic, Adjustable
655B	\$ 65.44	\$ 214.69	Threshold	Bronze Threshold 5" (127.0) wide	870D	\$ 21.37	\$ 70.11	Gasketing	Dark Bronze Anodized / Neoprene Compress-O-Matic, Adjustable
656A	\$ 16.47	\$ 54.04	Threshold	Aluminum Threshold 6" (152.4) wide	871AA	\$ 14.29	\$ 46.87	Meeting Stile	Clear Anodized / Pile Brush / Adjustable
656B	\$ 85.27	\$ 279.78	Threshold	Bronze Threshold 6" (152.4) wide	871D	\$ 21.37	\$ 70.11	Meeting Stile	Dark Bronze Anodized / Pile Brush / Adjustable
657A	\$ 23.61	\$ 77.46	Threshold	Aluminum Threshold 7" (177.8) wide	873AA	\$ 14.29	\$ 46.87	Meeting Stile	Clear Anodized / Neoprene Lip / Adjustable
657B	\$ 118.62	\$ 389.20	Threshold	Bronze Threshold 7" (177.8) wide	903FS	\$ 9.65	each	Miscellaneous	Fire Plug for ZBB hinges
663A	\$ 7.39	\$ 24.24	Threshold	Aluminum Plate 3" (76.2) wide	905A	\$ 6.60	\$ 21.65	Gasketing	Aluminum Astragal
669DP-A	CALL		Threshold	Aluminum Custom Fabricated Bulkhead	905HFP	\$ 12.26	each	Miscellaneous	Aluminum Plate with 2 Steel Pins for Fire Rated Doors template required
669DP-S	CALL		Threshold	Steel Custom Fabricated Bulkhead	908AA	\$ 12.17	\$ 39.92	Hinge	Clear Anodized / Edge Mount / Continuous Unigear / Short Leaf
669DP-STST	CALL		Threshold	Stainless Steel Custom Fabricated	908D	\$ 17.99	\$ 59.02	Hinge	Dark Bronze Anodized / Edge Mount Continuous Unigear / Short Leaf
670	CALL		Threshold	Series, Flush Mounted Aluminum Expansion Joint (See Part # 84, 672, Variable Plates)	908DB-AA	\$ 17.13	\$ 56.21	Hinge	Clear Anodized / Double Bearing / Edge Mount / Continuous Unigear / Short Leaf
671	CALL		Threshold	Series, Aluminum Expansion Joints (See Catalog Part # 268, 673, 84, 663)					
672A	\$ 6.90	\$ 22.64	Threshold	Aluminum Plate 2" (50.8) wide					
672B	\$ 39.22	\$ 128.66	Threshold	Bronze Plate 2" (50.8) wide					
673A	\$ 10.05	\$ 32.96	Threshold	Aluminum Plate 3" (76.2) wide					
673B	\$ 47.04	\$ 154.32	Threshold	Bronze Plate 3" (76.2) wide					

CATALOG ITEMS NUMERICAL INDEX

PART NUMBER	LIST PRICE PER FOOT	LIST PRICE PER METER	TYPE	DESCRIPTION	PART NUMBER	LIST PRICE PER FOOT	LIST PRICE PER METER	TYPE	DESCRIPTION
908DB-D	\$ 24.47	\$ 80.30	Hinge	Dark Bronze Anodized / Double Bearing Edge Mount / Continuous Unigear / Short Leaf	922DB-AA	\$ 19.30	\$ 63.34	Hinge	Clear Anodized / Double Bearing / Half Edge Mount / Continuous Unigear
910AA	\$ 13.08	\$ 42.90	Hinge	Clear Anodized / Edge Mount / Continuous Unigear	922DB-D	\$ 27.64	\$ 90.70	Hinge	Dark Bronze Anodized/ Double Bearing Half Edge Mount / Continuous Unigear
910D	\$ 19.31	\$ 63.36	Hinge	Dark Bronze Anodized / Edge Mount / Continuous Unigear	925AA	\$ 17.55	\$ 57.59	Hinge	Clear Anodized Half Surface / Continuous Unigear
910DB-AA	\$ 18.40	\$ 60.36	Hinge	Clear Anodized / Double Bearing Edge Mount / Continuous Unigear	925D	\$ 26.02	\$ 85.37	Hinge	Dark Bronze Anodized Half Surface / Continuous Unigear
910DB-D	\$ 26.33	\$ 86.39	Hinge	Dark Bronze Anodized / Double Bearing Edge Mount / Continuous Unigear	925DB-AA	\$ 26.03	\$ 85.41	Hinge	Clear Anodized / Double Bearing Half Surface / Continuous Unigear
911AA	\$ 22.03	\$ 72.28	Hinge	Clear Anodized / Edge Mount Security Fire Rated Unigear Hinge	925DB-D	\$ 35.49	\$ 116.43	Hinge	Dark Bronze Anodized / Double Bearing Half Surface / Continuous Unigear
911D	\$ 28.58	\$ 93.76	Hinge	Dark Bronze Anodized / Edge Mount Security Fire Rated Continuous Unigear	926N	\$ 72.11	per 50 ft. (15.24m)	Gasketing	Closed Cell Sponge Neoprene / PSA .375"(9.5) x .185"(4.7)
911DB-AA	\$ 27.35	\$ 89.74	Hinge	Clear Anodized / Double Bearing / Edge Mount Security Fire Rated / Continuous Unigear	928AA	\$ 22.70	\$ 74.48	Hinge	Clear Anodized/ Half Surface Continuous Unigear / Short Leaf
911DB-D	\$ 35.61	\$ 116.83	Hinge	Dark Bronze Anodized / Double Bearing / Edge Mount / Security Fire Rated / Continuous Unigear	928D	\$ 31.12	\$ 102.12	Hinge	Dark Bronze Anodized / Half Surface Continuous Unigear / Short Leaf
913STST	\$143.32	\$ 470.23	Hinge	Stainless Steel / Continuous Unipin / Half Surface / Snap-on Cover	928DB-AA	\$ 28.57	\$ 93.75	Hinge	Clear Anodized / Double Bearing Half Surface / Continuous Unigear / Short Leaf
914AA	\$ 15.30	\$ 50.21	Hinge	Clear Anodized / Edge Mount / Continuous Unigear	928DB-D	\$ 39.72	\$ 130.33	Hinge	Dark Bronze Anodized / Double Bearing Half Surface / Continuous Unigear / Short Leaf
914D	\$ 23.15	\$ 75.95	Hinge	Dark Bronze Anodized / Edge Mount / Continuous Unigear	930AA	\$ 19.74	\$ 64.76	Hinge	Clear Anodized/ Snap-on Cover/ Thru Bolt Full Surface / Continuous Unigear
914DB-AA	\$ 22.10	\$ 72.49	Hinge	Clear Anodized / Double Bearing / Edge Mount / Continuous Unigear	930D	\$ 27.14	\$ 89.05	Hinge	Dark Bronze Anodized / Snap-on Cover Thru Bolt / Full Surface Continuous Unigear
914DB-D	\$ 31.56	\$ 103.54	Hinge	Dark Bronze Anodized / Double Bearing / Edge Mount / Continuous Unigear	930DB-AA	\$ 24.81	\$ 81.40	Hinge	Clear Anodized / Double Bearing Snap-on Cover / Thru Bolt Full Surface / Continuous Unigear
915D	\$ 25.30	\$ 83.00	Hinge	Dark Bronze Anodized / Edge Mount / Continuous Unigear for 2"- 2 1/4" door	930DB-D	\$ 34.55	\$ 113.36	Hinge	Dark Bronze Anodized/ Double Bearing Snap-on Cover / Thru Bolt Full Surface / Continuous Unigear
915DB-D	\$ 38.72	\$ 127.05	Hinge	Dark Bronze Anodized / Double Bearing Edge Mount / Continuous Unigear	935AA	\$ 22.70	\$ 74.48	Hinge	Clear Anodized / Snap-on Cover / Thru Bolt Full Surface / Continuous Unigear
916STST	\$157.14	\$ 515.56	Hinge	Stainless Steel / Continuous Unipin / Full Surface / Snap-on Cover	935D	\$ 31.12	\$ 102.12	Hinge	Dark Bronze Anodized / Snap-on Cover / Thru Bolt / Full Surface / Continuous Unigear
917STST	\$ 76.78	\$ 251.93	Hinge	Stainless Steel / Continuous Unipin Stainless Steel Pin Ø 1/4"(6.4)	935DB-AA	\$ 28.57	\$ 93.75	Hinge	Clear Anodized / Double Bearing Snap-on Cover / Thru Bolt Full Surface / Continuous Unigear
918STST	\$ 83.72	\$ 274.68	Hinge	Stainless Steel / Continuous Unipin / Edge Mount with Hinge Guard Stainless Steel Pin Ø 1/4"(6.4)	935DB-D	\$ 39.72	\$ 130.33	Hinge	Dark Bronze Anodized / Double Bearing Snap-on Cover / Thru Bolt Full Surface / Continuous Unigear
919SP	\$ 27.63	\$ 90.65	Hinge	Steel Prime / Continuous Unipin Stainless Steel Pin Ø 1/4"(6.4)	936AA	\$ 22.70	\$ 74.48	Hinge	Clear Anodized / Thru Bolt / Short Leaf Full Surface / Continuous Unigear
919STST	\$ 54.97	\$ 180.34	Hinge	Stainless Steel / Continuous Unipin Stainless Steel Pin Ø 1/4"(6.4)	936DB-AA	\$ 29.39	\$ 96.43	Hinge	Clear Anodized/ Double Bearing/ Full Surface / Continuous Unigear/ Short Leaf
920AA	\$ 13.08	\$ 42.90	Hinge	Clear Anodized / Half-Surface Continuous Unigear	948	\$ 37.57	\$ 123.28	Gasketing	2-Ply Cloth-Lined Rubber
920D	\$ 19.31	\$ 63.36	Hinge	Dark Bronze Anodized / Half-Surface / Continuous Unigear	951	\$ 9.48	\$ 31.11	Gasketing	Child Finger Guard
920DB-AA	\$ 18.40	\$ 60.36	Hinge	Clear Anodized / Double Bearing / Half-Surface / Continuous Unigear	1200	\$ 7.84	\$ 25.73	Stairway Marking	Photoluminescent - Exit. 2"(50.7) wide
920DB-D	\$ 26.33	\$ 86.39	Hinge	Dark Bronze Anodized / Double Bearing Half-Surface / Continuous Unigear	1201	\$ 3.95	\$ 12.95	Stairway Marking	Photoluminescent - Exit. 1"(25.4) wide
921AA	\$ 18.11	\$ 59.43	Hinge	Clear Anodized/ Snap-on Cover/ Thru Bolt Half-Surface / Continuous Unigear	1202	\$ 4.33	each	Stairway Marking	Photoluminescent - Side Edge - Left
921D	\$ 27.79	\$ 91.17	Hinge	Dark Bronze Anodized / Snap-on Cover / Thru Bolt / Half-Surface / Continuous Unigear	1203	\$ 4.33	each	Stairway Marking	Photoluminescent - Side Edge - Right
921DB-AA	\$ 27.83	\$ 91.29	Hinge	Clear Anodized / Double Bearing / Snap-on Cover / Thru Bolt / Half-Surface / Continuous Unigear	1204	\$ 5.95	each	Stairway Marking	Photoluminescent - Hand Rail Marking
921DB-D	\$ 37.91	\$ 124.38	Hinge	Dark Bronze Anodized / Double Bearing / Snap-on Cover / Thru Bolt / Half-Surface / Continuous Unigear	1207	\$ 13.52	each	Stairway Marking	Photoluminescent - Door Marking - Latch type
922AA	\$ 13.75	\$ 45.10	Hinge	Clear Anodized Half Edge Mount / Continuous Unigear	1208	\$ 21.92	each	Stairway Marking	Photoluminescent - Door Marking - Bar type
922D	\$ 20.25	\$ 66.43	Hinge	Dark Bronze Anodized Half Edge Mount / Continuous Unigear	1213	\$ 6.62	each	Stairway Marking	Photoluminescent - Obstacle Marking
					1214	\$ 7.73	\$ 25.37	Stairway Marking	Photoluminescent - Exit. 1"(25.4) wide with Aluminum extrusion
					1220	\$ 22.50	each	Stairway Marking	Photoluminescent Signage - Progress to the Right
					1221	\$ 22.50	each	Stairway Marking	Photoluminescent Signage - Progress Down and to the Right

CATALOG ITEMS NUMERICAL INDEX

PART NUMBER	LIST PRICE PER FOOT	LIST PRICE PER METER	TYPE	DESCRIPTION	PART NUMBER	LIST PRICE PER FOOT	LIST PRICE PER METER	TYPE	DESCRIPTION
1222	\$ 22.50	each	Stairway Marking	Photoluminescent Signage - Progress Up and to the Right	2692	\$ 14.81	\$ 48.58	Threshold	Aluminum/Traction Tread Rubber 2" x 3/8"
1223	\$ 22.50	each	Stairway Marking	Photoluminescent Signage - Progress to the Left	3000			Gasketing	Series, Compress-0-Matic (See Catalog Part #328, 326)
1224	\$ 22.50	each	Stairway Marking	Photoluminescent Signage - Progress Down and to the Left	3056FS-AA	\$ 30.75	\$ 100.88	Meeting Stile	Clear Anodized/ Mortised Adjustable Astragal / Neoprene / Intumescent Fire Stop
1225	\$ 22.50	each	Stairway Marking	Photoluminescent Signage - Progress Up and to the Left	3056FS-D	\$ 36.92	\$ 121.14	Meeting Stile	Dark Bronze Anodized / Mortised Adjustable / Neoprene / Intumescent Fire Stop
1226	\$ 22.50	each	Stairway Marking	Photoluminescent Signage - Progress Forward	3056FS-G	\$ 36.92	\$ 121.14	Meeting Stile	Gold Anodized / Mortised Adjustable Astragal / Neoprene / Intumescent Fire Stop
1227	\$ 22.50	each	Stairway Marking	Photoluminescent Signage - Progress Down from here	3557FS-AA	\$ 30.75	\$ 100.88	Meeting Stile	Clear Anodized/ Mortised Adjustable Astragal/ Neoprene / Intumescent Fire Stop
1228	\$ 62.19	each	Stairway Marking	Photoluminescent Door Sign - FINAL EXIT	3557FS-D	\$ 36.92	\$ 121.14	Meeting Stile	Dark Bronze Anodized / Mortised Adjustable / Neoprene / Intumescent Fire Stop
1229	\$ 70.03	each	Stairway Marking	Photoluminescent Door Sign EXIT THROUGH LOBBY	3557FS-G	\$ 36.92	\$ 121.14	Meeting Stile	Gold Anodized / Mortised Adjustable Astragal / Neoprene / Intumescent Fire Stop
1230	\$ 55.70	each	Stairway Marking	Photoluminescent Door Sign EXIT - Left Arrow	3672A	\$ 12.17	\$ 39.92	Threshold	Aluminum 2"(50.8)Traction Trade Flat Plate
1231	\$ 55.70	each	Stairway Marking	Photoluminescent Door Sign EXIT - Right Arrow	3672B	\$ 39.81	\$ 130.63	Threshold	Bronze 2"(50.8)Traction Trade Flat Plate
1232	\$ 36.77	each	Stairway Marking	Photoluminescent Door Sign EXIT - with pictogram	3673A	\$ 18.04	\$ 59.19	Threshold	Aluminum 3"(76.2)Traction Trade Flat Plate
1233	\$ 24.87	each	Stairway Marking	Photoluminescent Door Sign - NOT AN EXIT	3673A-L	\$ 37.20	\$ 122.07	Threshold	Aluminum 3"(76.2) wide/ Stair Nosings with Rubber / Photoluminescent Treads insert
1370A	\$ 8.40	\$ 27.57	Gasketing	Aluminum with Neoprene	3673A-E-L	\$ 48.56	\$ 159.34	Threshold	Aluminum 3"(76.2) wide Stair Nosings with Epoxy / Photoluminescent Treads insert
1370D	\$ 11.24	\$ 36.86	Gasketing	Dark Bronze Anodized / Neoprene	3673B	\$ 70.27	\$ 230.54	Threshold	Bronze 3"(76.2)Traction Trade Flat Plate
1545A	\$ 6.23	\$ 20.44	Threshold	Aluminum Butt Threshold 2 1/2" (63.5)	3674A	\$ 24.14	\$ 79.20	Threshold	Aluminum 4"(101.6) wide Traction Trade Flat Plate
1545B	\$ 30.25	\$ 99.23	Threshold	Bronze Butt Threshold 2 1/2" (63.5)	3674A-L	\$ 49.60	\$ 162.75	Threshold	Aluminum 4"(101.6) wide/ Stair Nosings with Rubber / Photoluminescent Treads insert
1673A	\$ 11.63	\$ 38.15	Threshold	Aluminum Butt Threshold 3" (76.2) Wide x 1/2" (12.7) High	3674A-E-L	\$ 64.73	\$ 212.39	Threshold	Aluminum 4"(101.6) wide Stair Nosings with Epoxy / Photoluminescent Treads insert
1673B	\$ 59.34	\$ 194.69	Threshold	Bronze Butt Threshold 3" (76.2) Wide x 1/2" (12.7) High	3674B	\$ 79.98	\$ 262.42	Threshold	Bronze 4"(110.6)Traction Trade Flat Plate
1674A	\$ 16.41	\$ 53.83	Threshold	Aluminum Threshold One Side Beveled 4"(101.6) x 1/2"(12.7) High	3675A	\$ 29.54	\$ 96.91	Threshold	Aluminum 5"(127.0) Traction Trade Flat Plate
1674B	\$ 78.60	\$ 257.89	Threshold	Bronze Threshold One Side Beveled 4"(101.6) x 1/2"(12.7) High	3675A-L	\$ 62.01	\$ 203.44	Threshold	Aluminum 5"(127.0) / Stair Nosings with Rubber / Photoluminescent Treads insert
1675A	\$ 18.94	\$ 62.13	Threshold	Aluminum Threshold One Side Beveled 5"(127.0) x 1/2"(12.7) High	3675A-E-L	\$ 80.93	\$ 265.52	Threshold	Aluminum 5"(127.0) wide Stair Nosings with Epoxy / Photoluminescent Treads insert
1682A	\$ 5.81	\$ 19.05	Threshold	Carpet Divider Threshold 1 3/4" (44.5)	3675B	\$ 99.94	\$ 327.89	Threshold	Bronze 5"(127.0) Traction Trade Flat Plate
1682B	\$ 28.87	\$ 94.71	Threshold	Bronze Carpet Divider Threshold 1 3/4"(44.5) Wide x 1/2"(12.7) High	3676A	\$ 35.59	\$ 116.78	Threshold	Aluminum 6"(152.4) Traction Trade Flat Plate
1684A	\$ 12.95	\$ 42.47	Threshold	Aluminum Carpet Divider 4"(101.6)	3676A-L	\$ 74.98	\$ 246.02	Threshold	Aluminum 6"(152.4) wide/ Stair Nosings with Rubber / Photoluminescent Treads insert
1685R	\$ 19.56	\$ 64.18	Threshold	Rubber Carpet Divider Threshold 2.5"(63.5)	3676A-E-L	\$ 97.72	\$ 320.62	Threshold	Aluminum 6"(152.4) wide/ Stair Nosings with Epoxy / Photoluminescent Treads insert
1840A	\$ 9.28	\$ 30.45	Meeting Stiles	Aluminum Interior Astragal with Neoprene	3676B	\$ 119.89	\$ 393.35	Threshold	Bronze 6"(152.4) wide Traction Trade Flat Plate
1840D	\$ 12.56	\$ 41.21	Meeting Stiles	Dark Bronze Anodized Interior Astragal with Neoprene	3708AA	\$ 23.61	\$ 77.46	Gasketing	Clear Anodized / Magnet / Sound Trap
2070A-10	\$ 60.24	\$ 197.65	Miscellaneous	Flood Barrier Shield 10" high	3708N	\$ 3.87	\$ 12.71	Gasketing	Closed Cell Neoprene, Black 1"(25.4) x 4"(10.2)
2070A-20	\$ 108.43	\$ 355.76	Miscellaneous	Flood Barrier Shield 20" high	3709AA	\$ 23.60	\$ 73.77	Gasketing	Clear Anodized / Neoprene / Sound Trap
2070N	\$ 1.78	\$ 5.85	Gasketing	Sponge Neoprene Seal U-shape .250"(6.4)	3831A	\$ 8.72	\$ 28.59	Gasketing	Aluminum / Double Neoprene
2071N	\$ 1.35	\$ 4.43	Gasketing	Sponge Neoprene Seal U-shape .125"(3.2)	4000B	\$ 8.47	\$ 27.78	Window Protection	Bronze Side Jamb without Return Flange 1 3/4"(44.5)
2096	\$ 2.02	\$ 6.62	Gasketing	PSA Sponge Seal .375"(9.5)	4000Z	\$ 2.36	\$ 7.74	Window Protection	Zinc Side Jamb without Return Flange 1 3/4"(44.5)
2361A	\$ 10.34	\$ 33.93	Threshold	Aluminum Ramp 3.94"(100.1) wide x .500"(12.7) high	4482	\$ 31.61	\$ 103.70	System	Window / Wall Partition - Sound Trap
2541	\$ 3.78	\$ 12.40	Miscellaneous	Poly Pile Dust Plug, Self Adhesive	4483	\$ 27.04	\$ 88.71	System	Vision Lite - Sound Trap
2673A	\$ 20.08	\$ 65.89	Threshold	Aluminum 3"(76.2) wide Traction Tread Nosing	4484	\$ 9.75	\$ 32.00	System	Vision Lite - Sound Trap
2673A-L	\$ 37.78	\$ 123.96	Threshold	Aluminum 3"(76.2) wide / Stair Nosings with Rubber / Photoluminescent Treads insert	5000B	\$ 9.92	\$ 32.54	Window Protection	Bronze Side Jamb without Return Flange
2673A-E	\$ 28.67	\$ 94.07	Threshold	Aluminum 3"(76.2) wide / Stair Nosing with Epoxy Treads	5000Z	\$ 3.28	\$ 10.75	Window Protection	Zinc Side Jamb without Return Flange
2673A-E-L	\$ 47.87	\$ 157.08	Threshold	Aluminum 3"(76.2) wide Stair Nosings with Epoxy / Photoluminescent Treads insert	5831AA	\$ 4.73	\$ 15.51	Gasketing	Clear Anodized / Neoprene / PSA
2673B	\$ 73.72	\$ 241.86	Threshold	Bronze 3"(76.2) wide Traction Tread Nosing	5831FS-AA	\$ 6.59	\$ 21.64	Gasketing	Clear Anodized / Neoprene / Intumescent PSA
2673B-E	\$ 72.45	\$ 237.71	Threshold	Bronze 3"(76.2) / Stair Nosing - Epoxy Treads	5831D	\$ 5.91	\$ 19.38	Gasketing	Dark Bronze Anodized / Neoprene / PSA
2676A	\$ 37.84	\$ 124.16	Threshold	Aluminum 6"(152.4) Traction Trade Nosing	5831FS-D	\$ 7.88	\$ 25.85	Gasketing	Dark Bronze Anodized / Neoprene / Intumescent / PSA
2676A-E	\$ 53.86	\$ 176.72	Threshold	Aluminum 6"(152.4) / Stair Nosing - Epoxy	5831G	\$ 5.91	\$ 19.38	Gasketing	Gold Anodized / Neoprene / PSA
2676A-E-L	\$ 98.31	\$ 322.57	Threshold	Aluminum 6"(152.4) wide Stair Nosings with Epoxy / Photoluminescent Treads insert	5831FS-G	\$ 7.88	\$ 25.85	Gasketing	Gold Anodized / Neoprene / Intumescent / PSA
					5832AA	\$ 4.86	\$ 15.95	Gasketing	Clear Anodized / Poly Brush / PSA

CATALOG ITEMS NUMERICAL INDEX

PART NUMBER	LIST PRICE PER FOOT	LIST PRICE PER METER	TYPE	DESCRIPTION
5832FS-AA	\$ 6.77	\$ 22.23	Gasketing	Clear Anodized / Neoprene / Intumescent PSA
5832D	\$ 5.91	\$ 19.38	Gasketing	Clear Anodized / Poly Brush / PSA
5832FS-D	\$ 7.88	\$ 25.85	Gasketing	Dark Bronze Anodized / Neoprene / Intumescent
5832G	\$ 5.91	\$ 19.38	Gasketing	Gold Anodized / Poly Brush / PSA
5832FS-G	\$ 7.88	\$ 25.85	Gasketing	Gold Anodized / Poly Brush / Intumescent
5833AA	\$ 4.73	\$ 15.51	Gasketing	Clear Anodized / Neoprene / PSA
5833D	\$ 5.91	\$ 19.38	Gasketing	Dark Bronze Anodized / Neoprene / PSA
5833G	\$ 5.91	\$ 19.38	Gasketing	Gold Anodized / Neoprene / PSA
6570A	\$ 23.61	\$ 77.46	Threshold	Aluminum Handicap Threshold 7"(177.8) Wide .500"(12.7) High
6575A	\$ 26.69	\$ 87.57	Threshold	Aluminum Threshold 7.5" (190.5)
6710A	\$ 34.01	\$ 111.60	Threshold	Aluminum Plate 10" (254.0)
7000B	\$ 74.69	\$ 245.07	Threshold	Brass / Adjustable Interlocking
7332B	\$ 54.20	\$ 177.83	Threshold	Brass / Extension Leg for #7336 & 7337 Adjustable Interlocking
7335B	\$ 93.44	\$ 306.57	Threshold	Brass / Extension Leg for #7336 & 7337
7336B	\$ 108.41	\$ 355.68	Threshold	Brass / Adjustable Interlocking 6.2"(157.5)
7337B	\$ 115.23	\$ 378.06	Threshold	Brass / Adjustable Interlocking 7.2"(182.9)
7350A	\$ 58.62	each	12"-18" (30.4-45.0)	Aluminum / Mortised
	\$ 44.31	each	18 1/8"-36" (46.0-91.4)	Automatic Door Bottom for Sliding Doors
	\$ 47.21	each	36 1/8"-48" (91.7-121.9)	
	\$ 58.97	each	48 1/8"-54" (122.2-137.1)	
	\$ 73.79	each	54 1/8"-60" (137.4-152.4)	
7770AA	\$ 23.54	\$ 77.25	Gasketing	Clear Anodized, Adjustable Double Neoprene Sound Seal
7770D	\$ 30.07	\$ 98.65	Gasketing	Dark Bronze Anodized, Adjustable Double Neoprene Sound Seal
7770G	\$ 30.07	\$ 98.65	Gasketing	Gold Anodized, Adjustable Double Neoprene Sound Seal
8004N	\$ 1.70	\$ 5.58	Gasketing	Neoprene Kerf Seal
8042N	\$ 1.37	\$ 4.49	Gasketing	Neoprene Kerf Seal
8042S-Bk	\$ 1.37	\$ 4.49	Gasketing	Silicone Kerf Seal / Black / PSA
8043R	\$ 1.93	\$ 6.32	Gasketing	Neoprene Kerf Seal
8045R	\$ 2.19	\$ 7.20	Gasketing	Neoprene Kerf Seal
8046R	\$ 1.75	\$ 5.75	Gasketing	Neoprene Kerf Seal
8047R	\$ 3.56	\$ 11.68	Gasketing	Rubber Seal for overhead door
8052N	\$ 1.65	\$ 5.41	Gasketing	Kerf Sponge Seal
8053Q	\$ 1.75	\$ 5.75	Gasketing	Kerf Seal
8054R	\$ 1.37	\$ 4.49	Gasketing	Kerf Pressure Seal
8116N	\$ 1.55	\$ 5.09	Gasketing	Neoprene Seal
8136	\$ 6.20	\$ 20.34	Meeting Stile	Polycarbonate Seal / Brush .394"(10)
8137	\$ 6.30	\$ 20.67	Meeting Stile	Polycarbonate Seal / Brush .472"(12)
8138	\$ 7.23	\$ 23.72	Meeting Stile	Polycarbonate Seal / Brush .590"(15)
8144S-Bk	\$ 2.36	\$ 7.74	Gasketing	Silicone/ Batwing Type/ Black / PSA
8144S-Wh	\$ 2.36	\$ 7.74	Gasketing	Silicone/ Batwing Type/ White / PSA
8144FS	\$ 3.02	\$ 9.90	Gasketing	Intumescent Batwing Type Seal / PSA
8145S-Bk	\$ 1.50	\$ 4.92	Gasketing	Silicone / Black / PSA
8149AA	\$ 5.30	\$ 17.40	Gasketing	Clear Anodized / Brush / Mortised
8172N	\$ 65.70	/75 ft.	Gasketing	Neoprene/ PSA .250"(6.4) x .125"(3.2)
8191AA	\$ 5.27	\$ 17.28	Gasketing	Clear Anodized / Neoprene
8191D	\$ 7.22	\$ 23.69	Gasketing	Dark Bronze Anodized/ Neoprene
8191G	\$ 7.22	\$ 23.69	Gasketing	Gold Anodized / Neoprene
8192AA	\$ 4.06	\$ 13.31	Door Sweep	Clear Anodized / .625" long Brush
8192AA-PSA	\$ 5.25	\$ 17.21	Meeting Stile	Clear Anodized / Brush / Adhesive
8192D	\$ 5.61	\$ 18.39	Door Sweep	Dark Bronze Anodized / .625" long Brush
8192D-PSA	\$ 6.10	\$ 20.00	Meeting Stile	Dark Bronze Anodized / Brush / Adhesive
8192G	\$ 5.61	\$ 18.39	Door Sweep	Gold Anodized / .625" long Brush
8192G-PSA	\$ 6.10	\$ 20.00	Meeting Stile	Gold Anodized / .625" Brush / Adhesive
8192P	\$ 3.40	\$ 11.15	Door Sweep	Replacement Pile only, for #8192 & 8198
8193AA	\$ 3.82	\$ 12.53	Door Sweep	Clear Anodized / .375" long Brush
8193AA-PSA	\$ 5.01	\$ 16.43	Meeting Stile	Clear Anodized / .375" Brush / Adhesive

PART NUMBER	LIST PRICE PER FOOT	LIST PRICE PER METER	TYPE	DESCRIPTION
8193D	\$ 4.71	\$ 15.44	Door Sweep	Dark Bronze Anodized / .375" long Brush
8193D-PSA	\$ 5.95	\$ 19.53	Meeting Stile	Dark Bronze Anod. / .375" Brush / Adhesive
8193P	\$ 2.62	\$ 8.58	Door Sweep	Replacement Pile Brush for 8193
8194AA	\$ 3.82	\$ 12.53	Door Sweep	Dark Bronze Anodized / .375" long Brush
8194AA-PSA	\$ 5.01	\$ 16.43	Meeting Stile	Dark Bronze Anodized / .375" Brush / Adhesive
8194D	\$ 4.71	\$ 15.44	Door Sweep	Dark Bronze Anodized / Neoprene Lip
8194D-PSA	\$ 5.95	\$ 19.53	Meeting Stile	Dark Bronze Anodized / Neoprene Lip / Adhesive
8195AA	\$ 4.73	\$ 15.51	Meeting Stile	Clear Anodized / Neoprene Lip
8195AA-PSA	\$ 6.20	\$ 20.33	Meeting Stile	Clear Anodized / Neoprene Lip / Adhesive
8197AA	\$ 5.07	\$ 16.64	Door Sweep	Clear Anodized Drip Cap / Neoprene
8197D	\$ 6.95	\$ 22.81	Door Sweep	Dark Bronze Anodized Drip Cap / Neoprene
8197G	\$ 6.95	\$ 22.81	Door Sweep	Gold Anodized Drip Cap / Neoprene
8198AA	\$ 5.27	\$ 17.28	Door Sweep	Clear Anodized Drip Cap / Brush Seal
8198D	\$ 7.22	\$ 23.69	Door Sweep	Dark Bronze Anodized Drip Cap / Brush
8198G	\$ 7.22	\$ 23.69	Door Sweep	Gold Anodized Rain Drip / Brush
8199A	\$ 4.83	\$ 15.86	Seal	Aluminum / Brush Seal / PSA
8302AA	\$ 2.60	\$ 8.52	Gasketing	Clear Anodized & Neoprene Seal
8302D	\$ 4.17	\$ 13.69	Gasketing	Dark Bronze Anodized & Neoprene Seal
8303AA	\$ 2.60	\$ 8.52	Gasketing	Clear Anodized & Neoprene Seal
8303D	\$ 4.17	\$ 13.69	Gasketing	Dark Bronze Anodized & Neoprene Seal
8305AA	\$ 3.45	\$ 11.14	Seal	Clear Anodized with Brush
8305D	\$ 5.45	\$ 17.88	Seal	Dark Bronze Anodized with Brush
8306AA	\$ 3.45	\$ 11.14	Gasketing	Clear Anodized with Neoprene
8306D	\$ 5.45	\$ 17.88	Gasketing	Dark Bronze Anodized with Neoprene
8361Key	\$ 2.77	each	Threshold	Locking Key for Automatic Door Bottom
8452A	\$ 12.40	\$ 40.70	Threshold	Wheel Chair Shower Threshold
8655A	\$ 9.07	\$ 29.77	Threshold	Aluminum Handicap Threshold 5"(127)
8724A	\$ 19.76	\$ 64.83	Threshold	Aluminum 5 5/8"(142.9) wide with PVC Thermal Break
8726A	\$ 23.90	\$ 78.42	Threshold	Aluminum 7 5/8"(193.7) wide with PVC Thermal Break
8729A	\$ 30.11	\$ 98.79	Threshold	Aluminum 6 5/8"(168.3) wide with PVC Thermal Break / Neoprene
8730A	\$ 22.03	\$ 72.28	Threshold	Aluminum 4 1/2"(114.3) wide with PVC Thermal Break / Unfinished Oak / Neoprene
8770N	\$ 1.10	\$ 3.62	Gasketing	Neoprene / PSA .500"(12.7) x .125"(3.2)
8780N	\$ 2.01	\$ 6.59	Gasketing	Neoprene / PSA 1.125"(28.6) x .094"(2.4)
8800N	\$ 1.65	\$ 5.41	Gasketing	Neoprene Kerf Seal Compress-O-Matic
8810N	\$ 1.93	\$ 6.32	Gasketing	Neoprene Kerf Seal
8811R	\$ 1.93	\$ 6.32	Gasketing	Neoprene Kerf Seal
8812R	\$ 1.93	\$ 6.32	Gasketing	Neoprene Kerf Seal
8841R	\$ 1.65	\$ 5.41	Gasketing	Neoprene Kerf Seal
8877AA	\$ 4.73	\$ 15.51	Gasketing	Clear Anodized / Neoprene Seal
8878AA	\$ 4.73	\$ 15.51	Gasketing	Clear Anodized / Neoprene Seal
8879AA	\$ 5.32	\$ 17.46	Meeting Stile	Clear Anodized / Brush Seal
8879AA-PSA	\$ 5.98	\$ 19.62	Meeting Stile	Clear Anodized / Brush Seal / Adhesive
9137PSA	\$ 9.19	\$ 30.16	Meeting Stile	PVC / Neoprene For Sliding Glass Doors
1062375PSA	\$ 1.07	\$ 3.52	Intumescent	FS1001 Intumet 1/16"(1.6) x 3/8"(9.5)
1062500PSA	\$ 1.14	\$ 3.72	Intumescent	FS1001 Intumet 1/16"(1.6) x 1/2"(12.7)
1062750PSA	\$ 1.47	\$ 4.84	Intumescent	FS1001 Intumet 1/16"(1.6) x 3/4"(19.1)
10621000PSA	\$ 1.98	\$ 6.51	Intumescent	FS1001 Intumet 1/16"(1.6) x 1"(25.4)
10622000PSA	\$ 3.16	\$ 10.37	Intumescent	FS1001 Intumet 1/16"(1.6) x 2"(50.8)
1125375PSA	\$ 1.47	\$ 4.84	Intumescent	FS1001 Intumet 1/8"(3.2) x 3/8"(9.5)
1125500PSA	\$ 1.98	\$ 6.51	Intumescent	FS1001 Intumet 1/8"(3.2) x 1/2"(12.7)
1125750PSA	\$ 2.61	\$ 8.56	Intumescent	FS1001 Intumet 1/8"(3.2) x 3/4"(19.1)
11251000PSA	\$ 3.16	\$ 10.37	Intumescent	FS1001 Intumet 1/8"(3.2) x 1"(25.4)
11252000PSA	\$ 4.74	\$ 15.56	Intumescent	FS1001 Intumet 1/8"(3.2) x 2"(50.8)
1250375PSA	\$ 2.61	\$ 8.56	Intumescent	FS1001 Intumet 1/4"(6.4) x 3/8"(9.5)
1250500PSA	\$ 3.16	\$ 10.37	Intumescent	FS1001 Intumet 1/4"(6.4) x 1/2"(12.7)
1250750PSA	\$ 4.19	\$ 13.75	Intumescent	FS1001 Intumet 1/4"(6.4) x 3/4"(19.1)
12501000PSA	\$ 5.20	\$ 17.06	Intumescent	FS1001 Intumet 1/4"(6.4) x 1"(25.4)
12502000PSA	\$ 7.81	\$ 25.62	Intumescent	FS1001 Intumet 1/4"(6.4) x 2"(50.8)
2062375PSA	\$ 1.07	\$ 3.52	Intumescent	FS2002 Intumet 1/16"(1.6) x 3/8"(9.5)
2062500PSA	\$ 1.14	\$ 3.72	Intumescent	FS2002 Intumet 1/16"(1.6) x 1/2"(12.7)

CATALOG ITEMS NUMERICAL INDEX

PART NUMBER	LIST PRICE PER FOOT	LIST PRICE PER METER	TYPE	DESCRIPTION	PART NUMBER	LIST PRICE PER FOOT	LIST PRICE PER METER	TYPE	DESCRIPTION
2062750PSA	\$ 1.47	\$ 4.84	Intumescent	FS2002 Intumet 1/16"(1.6) x 3/4"(19.1)	FS821	\$ 3.81	\$ 12.51	Intumescent	Soft Puff Intumet For Wood Frames #188S and #3125500PSA
20621000PSA	\$ 1.98	\$ 6.51	Intumescent	FS2002 Intumet 1/16"(1.6) x 1"(25.4)	FS850	\$ 3.87	\$ 12.71	Intumescent	Soft Puff Intumet For Metal Frames #188S or #824 and #3125500PSA
20622000PSA	\$ 3.16	\$ 10.37	Intumescent	FS2002 Intumet 1/16"(1.6) x 2"(50.8)	FS851	\$ 3.81	\$ 12.51	Intumescent	Soft Puff Intumet For Metal Frames #824 and #3125500PSA
2125375PSA	\$ 1.47	\$ 4.84	Intumescent	FS2002 Intumet 1/8"(3.2) x 3/8"(9.5)	FS860	CALL		Intumescent	Series, Intumescent Glazing Tape Part # 2062375 and 3062750
2125500PSA	\$ 1.98	\$ 6.51	Intumescent	FS2002 Intumet 1/8"(3.2) x 1/2"(12.7)	FS3003-0621296	\$ 150.80	each	Intumescent	Intumet Firestop Sheet 12"(304.8) x 96"(2438.4) x .062"(1.6)
2125750PSA	\$ 2.61	\$ 8.56	Intumescent	FS2002 Intumet 1/8"(3.2) x 3/4"(19.1)	FS3003-1251296	\$ 271.43	each	Intumescent	Intumet Firestop Sheet 12"(304.8) x 96"(2438.4) x .125"(3.2)
21251000PSA	\$ 3.16	\$ 10.37	Intumescent	FS2002 Intumet 1/8"(3.2) x 1"(25.4)	FS4004-0621296	\$ 150.80	each	Intumescent	Intumet Firestop Sheet 12"(304.8) x 96"(2438.4) x .062"(1.6)
21252000PSA	\$ 4.74	\$ 15.56	Intumescent	FS2002 Intumet 1/8"(3.2) x 2"(50.8)	FS4004-1251296	\$ 271.43	each	Intumescent	Intumet Firestop Sheet 12"(304.8) x 96"(2438.4) x .125"(3.2)
2250375PSA	\$ 2.61	\$ 8.56	Intumescent	FS2002 Intumet 1/4"(6.4) x 3/8"(9.5)	PAN-Z	\$ 2.91	\$ 9.55	Threshold	Optional Zinc Pan for Threshold 175
2250500PSA	\$ 3.16	\$ 10.37	Intumescent	FS2002 Intumet 1/4"(6.4) x 1/2"(12.7)	SP250-GV	\$ 260.07	each	Doorlite	Slimport Circular Vision Light, Cold Rolled Steel, Zinc Plated Finish Different material & finishes available
2250750PSA	\$ 4.19	\$ 13.75	Intumescent	FS2002 Intumet 1/4"(6.4) x 3/4"(19.1)	SP250-SS	\$ 435.49	each	Doorlite	Slimport Circular Vision Light, Stainless Steel, Satin Finish Different material & finishes available
22501000PSA	\$ 5.20	\$ 17.06	Intumescent	FS2002 Intumet 1/4"(6.4) x 1"(25.4)	SP350-GV	\$ 288.36	each	Doorlite	Slimport Circular Vision Light, Cold Rolled Steel, Zinc Plated Finish Different material & finishes available
22502000PSA	\$ 7.81	\$ 25.62	Intumescent	FS2002 Intumet 1/4"(6.4) x 2"(50.8)	SP350-SS	\$ 456.64	each	Doorlite	Slimport Circular Vision Light, Stainless Steel, Satin Finish Different material & finishes available
3062375PSA	\$ 1.07	\$ 3.52	Intumescent	FS3003 Intumet 1/16"(1.6) x 3/8"(9.5)	SP450-GV	\$ 328.93	each	Doorlite	Slimport Circular Vision Light, Cold Rolled Steel, Zinc Plated Finish Different material & finishes available
3062500PSA	\$ 1.14	\$ 3.72	Intumescent	FS3003 Intumet 1/16"(1.6) x 1/2"(12.7)	SP450-SS	\$ 497.80	each	Doorlite	Slimport Circular Vision Light, Stainless Steel, Satin Finish Different material & finishes available
3062750PSA	\$ 1.47	\$ 4.84	Intumescent	FS3003 Intumet 1/16"(1.6) x 3/4"(19.1)	SP550-GV	\$ 363.04	each	Doorlite	Slimport Circular Vision Light Cold Rolled Steel, Zinc Plated Finish Different material & finishes available
30621000PSA	\$ 1.98	\$ 6.51	Intumescent	FS3003 Intumet 1/16"(1.6) x 1"(25.4)	SP550-SS	\$ 526.91	each	Doorlite	Slimport Circular Vision Light Stainless Steel, Satin Finish Different material & finishes available
30622000PSA	\$ 3.16	\$ 10.37	Intumescent	FS3003 Intumet 1/16"(1.6) x 2"(50.8)	STC3003X062	\$ 3.31	/sqft.	Gasketing	Sound Sheet 12"x 1/16" 19 STC
3125375PSA	\$ 1.47	\$ 4.84	Intumescent	FS3003 Intumet 1/8"(3.2) x 3/8"(9.5)	STC3003X125	\$ 4.41	/sqft.	Gasketing	Sound Sheet 12"x 1/8" 24 STC
3125500PSA	\$ 1.98	\$ 6.51	Intumescent	FS3003 Intumet 1/8"(3.2) x 1/2"(12.7)	STC3003X250	\$ 7.72	/sqft.	Gasketing	Sound Sheet 12"x 1/4"
3125750PSA	\$ 2.61	\$ 8.56	Intumescent	FS3003 Intumet 1/8"(3.2) x 3/4"(19.1)	STC3003X375	\$ 11.03	/sqft.	Gasketing	Sound Sheet 12"x 3/8"
31251000PSA	\$ 3.16	\$ 10.37	Intumescent	FS3003 Intumet 1/8"(3.2) x 1"(25.4)	T4G	CALL with dimensions			Vision Lites
31252000PSA	\$ 4.74	\$ 15.56	Intumescent	FS3003 Intumet 1/8"(3.2) x 2"(50.8)	Z46	\$ 685.00	each	Miscellaneous	Electrical Automatic Door Bottom
3250375PSA	\$ 2.61	\$ 8.56	Intumescent	FS3003 Intumet 1/4"(6.4) x 3/8"(9.5)	Z49	\$ 10.00	set (2)	Miscellaneous	Holding Plates / End Plugs for Automatic Door Bottom
3250500PSA	\$ 3.16	\$ 10.37	Intumescent	FS3003 Intumet 1/4"(6.4) x 1/2"(12.7)	Z950	\$ 162.62	each	Hinge	Stainless Steel Cam Lift Handed 5"(127) x 4.5"(114.3) x .250"(6.4)
3250750PSA	\$ 4.19	\$ 13.75	Intumescent	FS3003 Intumet 1/4"(6.4) x 3/4"(19.1)	Z955 (32D)	\$ 86.74	each	Hinge	Stainless Steel Cam Lift Handed 4.5"(114.3) x 4.5"(114.3) x .134"(3.4)
32501000PSA	\$ 5.20	\$ 17.06	Intumescent	FS3003 Intumet 1/4"(6.4) x 1"(25.4)	Z961 (USP)	\$ 3.98	each	Hinge	Steel Prime Hinge 4.5"(114.3) x 4.5"(114.3) x .134"(3.4)
32502000PSA	\$ 7.81	\$ 25.62	Intumescent	FS3003 Intumet 1/4"(6.4) x 2"(50.8)	Z9500	\$ 180.80	each	Hinge	Stainless Steel Cam Lift Handed 5"(127) x 4.5"(114.3) x .250"(6.4)
4062375PSA	\$ 1.07	\$ 3.52	Intumescent	FS4004 Intumet 1/16"(1.6) x 3/8"(9.5)	ZBB960(32D)	\$ 29.94	each	Hinge	Stainless Steel Ball Bearing Hinge 4.5"(114.3) x 4.5"(114.3) x .134"(3.4)
4062500PSA	\$ 1.14	\$ 3.72	Intumescent	FS4004 Intumet 1/16"(1.6) x 1/2"(12.7)	ZBB961(USP)	\$ 7.76	each	Hinge	Steel Prime Ball Bearing Hinge 4.5"(114.3) x 4.5"(114.3) x .134"(3.4)
4062750PSA	\$ 1.47	\$ 4.84	Intumescent	FS4004 Intumet 1/16"(1.6) x 3/4"(19.1)	ZBB961(26D)	\$ 9.61	each	Hinge	Steel Dull Chrome Ball Bearing Hinge 4.5"(114.3) x 4.5"(114.3) x .134"(3.4)
40621000PSA	\$ 1.98	\$ 6.51	Intumescent	FS4004 Intumet 1/16"(1.6) x 1"(25.4)	ZBB991(26D)	\$ 9.61	each	Hinge	Steel Dull Chrome Ball Bearing Hinge 5"(127) x 4.5"(114.3) x .134"(3.4)
40622000PSA	\$ 3.16	\$ 10.37	Intumescent	FS4004 Intumet 1/16"(1.6) x 2"(50.8)					
4125375PSA	\$ 1.47	\$ 4.84	Intumescent	FS4004 Intumet 1/8"(3.2) x 3/8"(9.5)					
4125500PSA	\$ 1.98	\$ 6.51	Intumescent	FS4004 Intumet 1/8"(3.2) x 1/2"(12.7)					
4125750PSA	\$ 2.61	\$ 8.56	Intumescent	FS4004 Intumet 1/8"(3.2) x 3/4"(19.1)					
41251000PSA	\$ 3.16	\$ 10.37	Intumescent	FS4004 Intumet 1/8"(3.2) x 1"(25.4)					
41252000PSA	\$ 4.74	\$ 15.56	Intumescent	FS4004 Intumet 1/8"(3.2) x 2"(50.8)					
4250375PSA	\$ 2.61	\$ 8.56	Intumescent	FS4004 Intumet 1/4"(6.4) x 3/8"(9.5)					
4250500PSA	\$ 3.16	\$ 10.37	Intumescent	FS4004 Intumet 1/4"(6.4) x 1/2"(12.7)					
4250750PSA	\$ 4.19	\$ 13.75	Intumescent	FS4004 Intumet 1/4"(6.4) x 3/4"(19.1)					
42501000PSA	\$ 5.20	\$ 17.06	Intumescent	FS4004 Intumet 1/4"(6.4) x 1"(25.4)					
42502000PSA	\$ 7.81	\$ 25.62	Intumescent	FS4004 Intumet 1/4"(6.4) x 2"(50.8)					
FB1212	\$ 54.10	each	Intumescent	Fire Block Intumescent for Door Louvers 12"(301) x 12"(301) x .55"(14)					
FB1610	\$ 66.05	each	Intumescent	Fire Block Intumescent for Door Louvers 16"(402) x 10"(250) x .55"(14)					
FB1808	\$ 62.20	each	Intumescent	Fire Block Intumescent for Door Louvers 18"(453) x 8"(199) x .55"(14)					
FB1810	\$ 66.88	each	Intumescent	Fire Block Intumescent for Door Louvers 18"(453) x 10"(250) x .55"(14)					
FB1818	\$ 72.85	each	Intumescent	Fire Block Intumescent for Door Louvers 18"(453) x 18"(453) x .55"(14)					
FB1836	\$ 148.15	each	Intumescent	Fire Block Intumescent for Door Louvers 18"(453) x 36"(910) x .55"(14)					
FB1860	\$ 277.28	each	Intumescent	Fire Block Intumescent for Door Louvers 18"(453) x 60"(1520) x .55"(14)					
FB2020	\$ 86.00	each	Intumescent	Fire Block Intumescent for Door Louvers 20"(504) x 20"(504) x .55"(14)					
FB2424	\$ 86.50	each	Intumescent	Fire Block Intumescent for Door Louvers 24"(606) x 24"(606) x .55"(14)					
FS820	\$ 3.81	\$ 12.51	Intumescent	Soft Puff Intumet for Metal Frames #188S and #3125500PSA					

STANDARD SCREWS

APPLICATIONS:

For Weatherstripping

LIST PRICE

	#7230Z #6 X 1/2"	Pan Phillips Head	Sheet Metal Screw	Zinc Plated	\$ 0.18 /ea.
	#7230G #6 X 1/2"	Pan Phillips Head	Sheet Metal Screw	Gold Plated	\$ 0.20 /ea.

For Thresholds

LIST PRICE

	#7203Z #10 X 1-1/4"	Flat Phillips Head	Sheet Metal Screw	Zinc Plated	\$ 0.40 /ea.
	#7203BK #10 X 1-1/4"	Flat Phillips Head	Sheet Metal Screw	Black Oxide	\$ 0.45 /ea.

For Thresholds

LIST PRICE

	#7233Z #10 X 1-1/4"	Flat Phillips Head	Wood Screw	Zinc Plated	\$ 0.42 /ea.
	#7233B #10 X 1-1/4"	Flat Phillips Head	Wood Screw	Brass Material	\$ 0.75 /ea.

For Hinges (#919 type)

LIST PRICE

	#7241Z #12 X 11/16"	Flat Undercut Phillips Hd.	Self-drilling, SMS, Teks	Zinc Plated	\$ 0.50 /ea.
---	----------------------------	----------------------------	--------------------------	-------------	--------------

For Hinges (#930 type)

LIST PRICE

	#7244Z 1/4-20 X 1"	Flat Phillips Head	Machine Screw	Zinc Plated	\$ 1.95 /ea.
	#7245Z 11/16 X 1"			Zinc Plated	\$ 2.10 /ea.

For Astragals

LIST PRICE

	#7249Z #10 X 3/4"	Pan Phillips Head	Self-drilling, SMS, Teks	Zinc Plated	\$ 0.25 /ea.
	#7249BK #10 X 3/4"	Pan Phillips Head	Self-drilling, SMS, Teks	Black Oxide	\$ 0.28 /ea.

For Hinges (#Z950 type)

LIST PRICE

	#7250Z #12-24 X 3/4"	Flat Phillips Head, Type F	Machine Screw	Zinc Plated	\$ 0.50 /ea.
---	-----------------------------	----------------------------	---------------	-------------	--------------

For Hinges (#Z955 type)

LIST PRICE

	#7255Z #12-24 X 3/4"	Flat Undercut Phillips Head, Type F	Machine Screw	Zinc	\$ 0.50 /ea.
---	-----------------------------	-------------------------------------	---------------	------	--------------

EXPANSION FIELDS

LIST PRICE

	Plastic Shield with #10-24 X 1-1/2" Flat Phillips Head Machine Screw	\$ 0.35 /ea.
---	---	--------------

LIST PRICE

	Lead Shield with #10-24 X 1-1/2" Flat Phillips Head Machine Screw	\$ 0.55 /ea.
---	--	--------------

LIST PRICE

	Anchor with #10-24 X 1-1/2" Flat Phillips Head Machine Screw	\$ 0.80 /ea.
---	---	--------------

LIST PRICE

	Anchor with #1/4-20 x 1-1/2" Flat Phillips Head Machine Screw	\$ 1.10 /ea.
---	--	--------------

SECURITY SCREWS

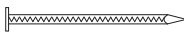
Torx Screws are available upon request. CALL for price.

DRIVE SCREWS

LIST PRICE:

	#4 5/16" (7.9) Waferhead Plated	\$ 0.12 /ea.
	#4 5/16" (7.9) Waferhead Stainless Steel	\$ 0.24 /ea.

NAILS

	#16 7/8" (22.2) Zinc Plated Flathead Steel Nail	\$ 27.30 /lb.
	#16 7/8" (22.2) Copper Plated Flathead Nail	\$ 27.30 /lb.
	(1 lb. contains ±1300 pcs.)	

ANCHOR SYSTEMS

#226	Stainless Steel Sleeve Anchor. Optional for all thresholds.	\$ 3.55 /ea.
-------------	---	--------------



ZERO HINGES

SIZES:

Stock sizes for continuous hinges:
84"(2133.6), 86"(2184.4), 96"(2438.4), 108"(2743.2).
Other sizes available at extra charge. Hinges are priced to foot.

SPECIFICATIONS: "DB"

Double Bearing (Heavy Duty)

"CE"

Concealed Electric, Geared only.
Add \$ 78.75 net to price of #910

"EPT"

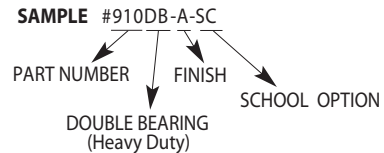
Electric Power Transfer \$37.80 net.
(template/location required)

"SC"

School Option available to all type hinges.
Add one foot to price. Handed required.

"HT"

Hospital Tip. Add \$37.80 net to price. Handed required.

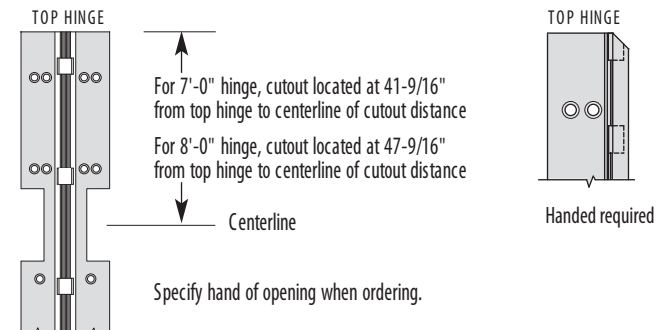


• **EPT** - Electric Power Transfer \$ 37.80 net

Cut out to accommodate Von Duprin (or equivalent) power transfer unit.

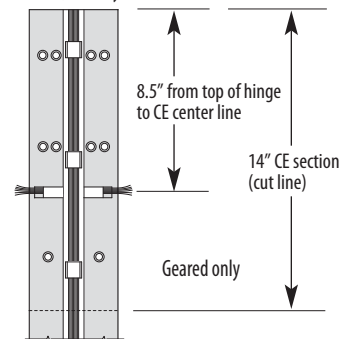
• **HT** - Hospital Tip \$ 37.80 net

\$ 37.80 net



• **CE** - Concealed Electric - 6 Wires. (formerly #912) \$ 78.75 net

• **SC** - School Option (Add one foot to price)



The UNIGEAR can be specified with a non-removable cap at the hinge top to guard against foreign material being dropped in.
Handed required.



When Nothing Else is Good Enough For Long Enough