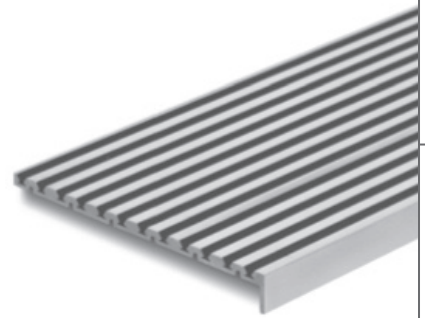




Price book 5

Effective April 4, 2020 • Rev 04/20



This price list supersedes and cancels all previous price lists. Prices shown are subject to change without notice.

Administrative Offices

Allegion Administrative Office
11819 N. Pennsylvania St.
Carmel, IN 46032
allegion.com/us

Placing orders

You can place orders with Allegion via the fax numbers or emails listed below:

Zero International
Fax#: 1-800-851-0000
Email: Zero.Orders@allegion.com

Mechanical Locks & Key Systems
Fax#: 1-800-452-0665
Email: Order_Entry_Schlage_Commercial@allegion.com

FastTrack
Fax#: 1-800-288-4242
Email: Order_Fasttrack@allegion.com

Customer Care

Our Customer Care Representatives are available for questions or assistance.

You can reach the Zero International customer care team at **800-635-5335**.

You can contact Allegion customer care at **877-671-7011** (Press 1 for Sales Support | Press 2 for Product Support | Press 3 for RSO) or through the email addresses listed below:

Sales Support

support@allegion.com

Technical Product Support

Zero Accessories

Accessories_TechProdSupport@allegion.com

Request for Quote

Carolinas

(North Carolina, South Carolina, Virginia)
Carolinas.Quotes@allegion.com

Central

(Arkansas, Illinois, Iowa, Kansas, Missouri, Nebraska, Oklahoma)
Central.Quotes@allegion.com

Chicago

(Illinois-Northern, Wisconsin)
Chicago.Quotes@allegion.com

Florida

Florida.Quotes@allegion.com

Great Lakes

(New York, Pennsylvania)
GreatLakes.Quotes@allegion.com

Metro New York

Metro.Quotes@allegion.com

Michigan

Michigan.Quotes@allegion.com

Mid Atlantic North

(New York, Pennsylvania)
Mid.Atlantics.north.quotes@allegion.com

Mid Atlantic South

(Delaware, Maryland, New Jersey)
Mid.Atlantics.south.quotes@allegion.com

Midwest

(Indiana, Kentucky, Ohio, West Virginia)
Midwest.Quotes@allegion.com

Mountain States

(Colorado, Idaho, Montana, Nevada, Utah, Wyoming)
Mtn.States.Quotes@allegion.com

New England

(Connecticut, Main, Massachusetts, New Hampshire, Rhode Island, Vermont)
NewEngland.Quotes@allegion.com

North Central

(Minnesota, North Dakota, South Dakota)
NorthCentral.Quotes@allegion.com

Northern California

NoCal.Quotes@allegion.com

Northwest

(Alaska, Oregon, Washington)
Northwest.Quotes@allegion.com

South

(Alabama, Georgia, Louisiana, Mississippi, Tennessee)
South.Quotes@allegion.com

Southern California

(California-Southern, Hawaii)
SoCal.Quotes@allegion.com

Southwest

(Arizona, New Mexico)
Southwest.Quotes@allegion.com

Texas

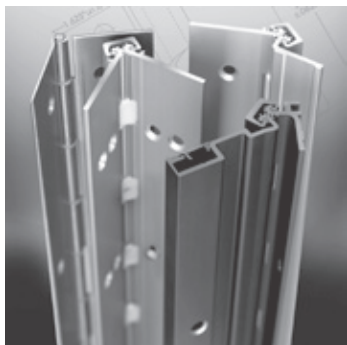
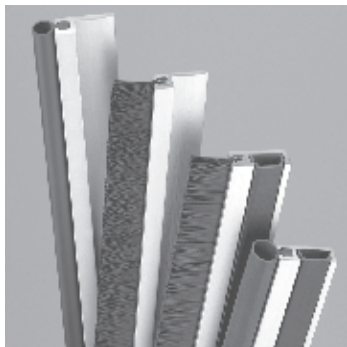
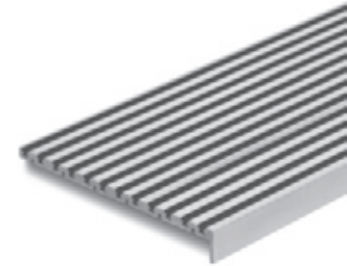
Texas.Quotes@allegion.com

Supersedes all previous lists.
Subject to change without notice.



"When Nothing Else Is Good Enough For Long Enough"

Since 1923



MINIMUM CHARGE:

\$50.00 Net. Surcharge may apply. Material charged to next stock size.

CLAIMS:

All claims for shortage or improper filling of order should be made within 10 days of receipt.

RETURNS:

No returns accepted without prior authorization. Returns should be made within 30 days of authorization, freight prepaid, 45% restocking and handling charge will apply. Returns made after 30 days from date of delivery will receive a credit to their account to be applied to future orders. Nonstandard and specialty fabricated items are not returnable.

CANCELLATION CHARGE:

20% If order is fabricated and packed.

TERMS:

Payable in U.S. Currency.
Material charged to next stock size.
All prices are F.O.B. factory.

GUARANTEE:

One year against defects in material or workmanship. Defective material will be replaced, however, no back charges for damage incurred or work done thereon will be allowed.

WARRANTY:

The following is made in lieu of all warranties, express or implied, including warranties or merchantability and fitness for a particular purpose: Purchase or use of this product constitutes an agreement with Seller and Manufacturer that, if this product proves to be defective or in any way unsuitable, Seller's and Manufacturer's limit of liability for all damages, including but not limited to incidental or consequential damages, and User's or Purchaser's exclusive remedy, regardless of legal theory, including theories of breach of warranty, negligence and strict liability, shall be to receive, at Seller's or Manufacturer's option, repair of the defective product, an equivalent quantity of replacement product or a refund of the purchase price.

■ Main Office And Manufacturing

ZERO INTERNATIONAL

2720 Tobey Drive, Indianapolis, IN 46219

Phone: 877-671-7011

Fax: 800-851-0000

E-mail: support@allegion.com

us.allegion.com

TERMS & CONDITIONS

Allegion General Terms and Conditions of Sale and Service

1. GENERAL/ACCEPTANCE. (a) This Agreement contains the only terms and conditions by which Company will quote and sell Deliverables to Customer; (b) The terms "purchase order" or "order" for the purposes of this Agreement include the term "request for quotation," as appropriate; (c) This Agreement supersedes all pre-printed or boilerplate terms and conditions set forth in any purchase order issued by Customer; (d) No reference herein to Customer's purchase order will in any way incorporate different or additional terms and conditions, all of which Company hereby expressly objects to; (e) **ANY ACCEPTANCE BY COMPANY OF CUSTOMER'S PURCHASE ORDER IS EXPRESSLY CONDITIONED ON THE CUSTOMER'S ASSENT TO AND ACCEPTANCE OF THE TERMS AND CONDITIONS CONTAINED IN THIS AGREEMENT;** (f) Company reserves the right to decline any order, in whole or in part, for any reason.

2. ORDERS.

a. **Order Processing.** When Customer wishes to place an order for Deliverables, it will deliver to Company a purchase order. All such purchase orders must (i) be in a written format acceptable to Company, (ii) be legible, (iii) include a purchase order number, (iv) include Customer's account number, invoice address, ship to address, shipping method, shipper's letter of instruction for international shipments, part number, pricing, and designated contact information, (v) include, if applicable, any special configuration ID numbers, necessary programming information, special factory instructions, and requested specifications regarding a particular finish, handing, design, backset, or strike, (vi) reference any applicable pricing discounts under an ongoing buying program or based on a written quote from Company, along with the applicable buying program number or quotation number, and (vii) not combine buying program and quoted product on the same order.

b. **Minimum Orders.** In the event the order value does not meet any required minimum net Deliverable value, Company may, at its sole discretion, (i) increase the quantity of items in the order to meet the minimum net Deliverable value requirement; (ii) apply a minimum order charge; (iii) reject the order, or (iv) waive the requirement, provided that the waiver of a requirement for one order shall not constitute a waiver of the requirement for any future orders.

c. **Acceptance of Purchase Orders.** Company will endeavor to (i) acknowledge receipt of each purchase order issued in accordance with this Agreement, and (ii) notify Customer whether Company accepts or rejects the purchase order. If Company fails to accept or reject a purchase order within a reasonable time period, such failure to respond will be deemed a rejection of the entire order. Orders that combine buying program and quoted product on the same order will be routed back to your local RSO office in order to review subject purchase order.

d. **Changes to Order/ Cancellation of Orders.** Additional terms and conditions regarding order changes and cancellations are available on the Allegion customer website, **WHICH TERMS ARE EXPRESSLY INCORPORATED HEREIN BY REFERENCE.** Unless otherwise provided herein, Customer acknowledges that (i) requesting a Change Order may cause a delay in the scheduled shipment date, a longer lead time or result in a new scheduled shipment date; (ii) Orders may not be changed after 48 hours of Company's order acknowledgment; (iii) After 48 hours of Company's order acknowledgment, all changes to an accepted purchase order will be subject to a Change Order charge of 25% of the net Deliverable value, plus the cost of labor and fabrication or raw material that Company incurred prior to the receipt of the Change Order from Customer, or that may be required due to the Change Order; (iv) the requested change may result in additional charges for labor, fabrication, and raw material, and (v) if Customer cancels an order or portion of an order that includes Deliverables that have been manufactured and prepped for shipping, a 45% restocking fee will apply. Notwithstanding the foregoing, Customer cannot change or cancel credential orders, reader orders, biometrics orders or any non-cataloged, special, custom or nonstandard items once they have been placed. All cancelled orders for a Non Recurring Expense (NRE), credential orders, reader orders, biometrics orders, and/or Custom orders will be subject to a cancellation charge of 100% of the acknowledged price.

e. **Add-ons.** Add-on orders will not be accepted. Additions to orders will be entered as separate stand-alone orders and must qualify for all terms of sale, including discounts, on an individual basis.

f. **Fast-Track Orders.** No changes or cancellations will be accepted on the 24-Hour Fast Track Program. For 3-day Fast Track orders, changes and cancellations may only be requested by Customer within 24 hours of Company's order acknowledgment if the order has not shipped. For 5-Day Fast Track orders, changes and cancellations may only be requested by Customer if the order has not shipped and if the request is made to Company within 48 hours of Company's order acknowledgment. Return Material Authorization (RMA) for Deliverables must be processed through Fast Track Customer Service.

g. **Steelcraft Orders.** For all Steelcraft orders, changes or cancellations are allowed without penalty only if made within 48 hours of Company's order acknowledgment, and provided that the order has not shipped. Some exceptions do apply – please consult the factory. Changes are not allowed on Rapid Program orders after the order has been entered and acknowledged. After 48 hours of Company's order acknowledgment, all changes or cancellations are subject to a charge of 25% of the order. Unless otherwise specified by Company in writing, any changes to orders acknowledged by Company that affect the delivery date will be deemed a new order and will require acknowledgment by Company as provided in this Section. Additional products, features, terms and conditions regarding the Rapid Program are available on the Allegion customer website, **WHICH TERMS ARE EXPRESSLY INCORPORATED HEREIN BY REFERENCE.**

3. PRICES, INVOICES AND PAYMENT.

a. **Prices.** The prices in Company's Price Book are subject to change at any time, without notice to Customer. Company may charge Customer additional amounts if Customer requests special packing, marking, shipment, product modification, or engineering services. Oral prices specified by Company are null and void. Quote numbers must be referenced on Customer's purchase order in order for the Company's quoted pricing to apply. Orders that do not reference a quote number will receive buy program pricing or book net pricing. Quoted prices are for those specific products quoted for a specified job, and are subject to the Price Book in effect at the time Company receives the order.

b. **Taxes.** Prices do not include any present or future federal, state or local property, license, privilege, sales, use, excise, gross receipts or other like taxes or assessments which may result from transactions or any services performed in connection therewith. Any taxes, charges, or duties imposed by any governmental authority on the sale of Deliverables will be paid by Customer, in addition to the selling price specified by Company. Credits for U.S. sales tax applied to invoices will only be granted if valid exemption documentation is provided within 30-days of the invoice date and a case is initiated by customer service. Exemption documentation may be emailed to sales.tax.certificates@allegion.com, this e-mail address cannot be used to request a credit for sales tax charged all such requests must be made with customer service. All certificates sent to the e-mail address must include the following information: (1) Customer account number(s); (2) Customer name; and (3) Allegion brand(s) the certificate should be applied to.

c. **Payment Terms.** Company will deliver to Customer an invoice with each shipment of Deliverables hereunder. Customer will pay all invoiced amounts within 35 days of the invoice date (subject to any early pay discounts that may be offered to Customer by Company in its sole discretion). Customer will make all payments in United States dollars. Past due invoices will be subject to a late payment service charge of 1.5% per month on any overdue unpaid balance, equivalent to 18% per annum, or the maximum rate permitted by law, whichever is less. Customer shall reimburse Company for all costs of collection, including, without limitation, reasonable attorneys' fees, for any overdue amount owed by Customer to Company, and such collection costs shall also be subject to interest charges.

4. QUOTATIONS.

a. **Project Quotations.** Project or new construction quotes are restricted to the specific project quoted for the quantities, finishes, and series of Deliverables referenced on the quote. Company reserves the right to require proof of sale of Company products for any quoted project.

b. **Stock Quotations.** Deliverables fulfilling stock quotations may only be used for the following: (i) Stocking of the Customer's shelves for small, quick-turn, discretionary projects, or (ii) Sale to a general contractor or installer for new construction. Stock quotations may not be used for any project containing any Company non-substitution, specified products. Deliverables purchased under Stock Quotations cannot be redistributed to other Customer branch locations or re-sold to other resellers or used for aftermarket sales, end-user annual contracts or sold over the counter to any walk in trade.

c. **General.** All quotes are subject to this Agreement, unless otherwise specified by Company, and are subject to change at any time prior to Company's acceptance of a purchase order referencing the applicable quote number. Company, its representatives and employees reserve the right, in their sole discretion and for any reason, to refuse a Customer's request to quote a price other than the standard list price, regardless of whether Company or its representatives or employees have previously quoted discounted prices to the Customer on some or all of its orders. Customer's failure to comply with this Section 4 will be considered a material breach of this Agreement, and will entitle Company to immediately terminate any purchase orders and/or Customer's ability to distribute Company's products.

5. SECURITY INTEREST. Customer grants Company, and Company retains, a purchase money security interest and lien on any and all of Customer's rights, title and interest in each Deliverable sold by Company to Customer, wherever located, until the invoice for the applicable Deliverable(s) is paid in full, including any late charges and costs of collection. Customer authorizes Company to, and will assist Company in, taking all necessary steps to perfect and maintain Company's interest in such Deliverables.

6. CREDIT TERMS. Unless Customer pre-pays all of its purchase orders in advance, its purchase orders will be subject to the credit limit and other terms of credit ("Credit Terms") set forth in Company's credit application, which Credit Terms Customer acknowledges are subject to change by Company at any time. Company reserves the right to request payment in advance of shipment or any order or to request adequate assurances for Customer's payment of an order and may withhold or stop shipment, without any liability to Company, until Customer submits payment or adequate assurance of payment.

7. RESALE OF DELIVERABLES. Customer agrees and warrants that it will offer Company products in support of Company-written specifications and will maintain sufficient inventory to adequately support End Users, installers, and/or general contractors' needs. Company may implement an MSRP or a resale pricing programs at any time in its sole discretion. Failure to comply with such program(s) will be considered a material breach of this Agreement, and will entitle Company to immediately terminate any purchase order and/or Customer's ability to distribute Company's products. Customer shall, at its own expense, gain and maintain sufficient knowledge of the industry and products competitive with Deliverables so as to be able to (a) explain in detail to End Users, installers, and/or general contractors the differences between the Deliverables and competing products, (b) ensure that an adequate number of trained, capable and qualified technical personnel with sufficient knowledge of the Deliverables and who have obtained all necessary licenses and permits are available to assist End Users, installers, and/or general contractors, and (c) respond to such End Users, installers, and/or general contractors with respect to the general operation and use of the Deliverables including, but not limited to, (1) acting as a liaison between the End Users, installers and/or general contractors and Company in matters requiring Company participation, (2) providing general product information and configuration support on standard protocols and features, (3) collecting relevant technical problem identification information, and (4) posting and distributing any warranty information concerning the Products in accordance with Company's instructions. Customer is responsible for all service and support resulting from the re-sale of any Deliverable to End-Users, installers and/or general contractors, examples of which may include, but are not limited to, support activities such as installation, initialization, software set-up, training, trouble-shooting, technical support and field service. In the event Customer is unwilling or unable to perform said support activities, Company reserves the right to recover from Customer any and all expenses incurred by Company to resolve the afore-mentioned End-User, installer and/or general contractor issues. Technical product training is recommended for Customer in order to fully service and support Deliverables purchased from Company that are resold to End-Users, installers and/or general contractors.

8. DEFAULT. If Customer is in default of payment or otherwise with respect to any purchase order or other contract with Company, Company shall have the right, in addition to all other legal remedies and without prejudice to any of its right hereunder, to defer further shipments under that or any other purchase order until such default is corrected and to declare all outstanding bills of Customer to be immediately due and payable.

9. INSPECTION AND DELIVERY.

a. **Inspection.** Customer will inspect all Deliverables immediately after receiving them. Customer will be deemed to have accepted the Deliverables unless Customer notifies Company in writing of any nonconformance within 10 days of delivery and provides Company written evidence reasonably documenting that nonconformance. Inspection of Deliverables at Company's facility is not permitted.

b. **Delivery.** Delivery schedules for Deliverables are based upon current production capacities, material or component availability, and inventory, and may be changed by Company as conditions require. Delivery schedules for services are based upon Company's prompt receipt of, and prompt access to, Customer's equipment and all information necessary to complete the services. In no event will any delivery date be construed as falling within the meaning of "time of the essence." Partial delivery shall be accepted by Customer and paid for at the price and on the terms stated herein. Any partial delivery shall constitute a separate sale, and payment shall be separately made when due. If any part of a delivery hereunder is not delivered by Company in accordance with Customer's purchase order, this Agreement shall not be affected thereby.

10. TITLE & RISK OF LOSS. Unless otherwise specified by Company, (i) where the Customer is located in the United States, all Deliverables will be sold "Uniform Commercial Code, FOB Origin, Company's factory"; and (ii) where the Customer is located outside of the United States, all Products will be sold "Ex-works, Company's factory (Incoterms 2010)." In either instance, title and risk of loss will pass to Customer upon delivery to the carrier at Company's factory, provided, however, as set forth herein, Company shall retain a security interest in the Deliverables until full payment has been made therefore, and Customer agrees, upon request, to do all things and acts necessary to protect Company's interest by adequately insuring the Deliverables against loss or damage from any cause and to have Company named as an additional insured. Customer will promptly provide Company with a copy of the relevant certificate of insurance upon Company's request.

11. SHIPPING.

a. **Freight Charges.** Company will ship all Deliverables in accordance with Company's freight shipment guidelines, which are set forth on the My Allegion Portal ("Freight Shipping Guidelines"), **WHICH TERMS ARE EXPRESSLY INCORPORATED HEREIN.**

b. **Rush Charges.** Expedited order options are available as set forth in Company's Freight Shipping Guidelines.

c. **Packing and Marking.** Company will pack, mark, and ship Deliverables according to its standard procedures for shipment, unless the parties agree, in writing, that Company will comply with any special instructions provided by Customer. Special instructions may result in an increased price.

d. **International Shipments.** For all international orders, a Shipper's letter of instruction must be submitted in writing with the order. Failure to do so will result in the order being rejected. Complete adherence to this order requirement will be strictly enforced. Company will not be held liable for any charges resulting from delays due to lack of complete required information being supplied.

e. Once received by the Company, a purchase order cannot be combined with any other order to increase average order size as it relates to Company's Freight Shipping Guidelines. However, for orders placed under Company's FastTrack 24 Hour/5 Day Program (available for Schlage, Von Duprin, LCN and Glynn-Johnson products); ii) FastTrack 24 Hour/3 Day Program (available for Ives products); or ProExpress (available for specific product lines stated in the ProExpress price book for Falcon, Ives, Glynn Johnson, LCN, Schlage and Von Duprin products), the applicable brands or product categories may, subject to certain order requirements identified by Company, be combined on a single order to increase average order size used in Company's Freight Shipping Guidelines.

12. CLAIMS. All claims must be submitted in writing to Company as follows: (i) All claims for prices must be submitted within thirty (30) days from the date of invoice; (ii) All claims regarding Deliverable quantity or incorrect orders must be submitted within ten (10) days from the date of delivery; (iii) All claims for damage to Deliverables (while in the care, custody, and control of Company) must be submitted within thirty (30) days from the date of invoice; (iv) All claims for loss or damage to Deliverables while in the care, custody, and/or control of a carrier will be the responsibility of Customer, unless otherwise agreed by the parties.

13. PRODUCT CHANGES. Company's product policy is one of ongoing update and revision, and accordingly, Company reserves the right to change, without notice, the design of, or the process of manufacturing, the Deliverables covered by this Agreement.

14. PRODUCT USAGE LIMITATION. Customer agrees: (i) not to sell or use a Deliverable in any manner contrary to the manner in which the Deliverable is intended to be used; and/or (ii) not to modify the design of any Deliverable for use with another product without the prior written consent of Company.

15. PRODUCT RETURNS. Unless otherwise agreed by the parties in writing, Deliverables that are correctly furnished by Company per the purchase order may not be returned unless Customer receives written authorization from Company. If returns are authorized by Company, a return merchandise authorization ("RMA") number must be provided by Company. Deliverables identified under such RMA must be returned to Company within 90 days of issuance of the RMA. Such RMA number and any accompanying RMA documents, the original invoice number, and a written explanation for the return must be included with the returned Deliverables in order for Company to inspect and approve a credit for the return. **For warranty returns,** a credit in the amount of the original purchase price will only be issued if, after Company's receipt and inspection of the returned Deliverables, Company confirms, in its sole discretion, the defect is valid and approves the return. **For non-warranty returns/convenience returns,** in the event Company approves such a return, in its sole discretion, the following shall apply: (a) the total amount of Deliverables requested to be returned shall be a minimum of \$250.00; (b) a credit will be made to Customer's account in the amount of the original purchase price less freight and a handling charge of 45% of the net material on the original invoice; and (c) only Deliverables that are new, current, standard, non-obsolete, non-specially manufactured, unused, in their original condition as at the time of sale by Company to Customer, in their original packaging and in Customer's inventory less than 180 days from the date of shipment by the Company, and not ordered as part of a master key solution may be considered by Company for return. Such credit will only be issued if, after Company's receipt and inspection of Deliverables, Company approves the return. The amount of final credit will be determined upon receipt at the factory and following Company's inspection and analysis of the condition of the returned material. Company retains the right to deny credit to anyone for any reason.

16. CONFIDENTIAL INFORMATION.

a. **Non-Use And Non-Disclosure.** Customer shall not use the Confidential Information of the Company except for the purpose of performing its obligations under this Agreement or exercising the rights granted herein (the "Purpose"). Customer shall protect Confidential Information of the Company from disclosure and unauthorized use in the same manner that it protects its own Confidential Information, but in no event shall such standard of care be less than reasonable care. Customer may disclose Confidential Information of the Company only to its employees who require such information for the Purpose and who are subject to confidentiality obligations at least as protective as those set forth herein.

b. **Proprietary Information and Advice.** (a) All designs, data, and specifications provided by Company are proprietary and may not be disclosed or reused by Customer without the prior written consent of Company; (b) Company assumes no obligation or liability for any advice given by Company, the results obtained, or damages incurred as a result of such advice, and all such advice is given and accepted at Customer's risk.

c. **Return.** Upon the termination or expiration of a purchase order or this Agreement or upon the request of the Company, the Customer agrees to end all further use of, to immediately return to the Company the original version of, and to delete or destroy all copies of, any and all Confidential Information of the Company.

17. TRADEMARKS. Except as agreed to by Company in writing, Customer agrees not to (a) use Company's name in any form of publicity; or (b) use, create, register or market, directly or indirectly, in whole or in part, Company's names, logos, brands, or any other trademarks, or names that are now or may hereafter be owned by Company, as part of Customer's corporate or business name, as part of an internet domain name, uniform resource locator (URL), or in any way connected with Customer's business, trade address or other designations. Upon termination of this Agreement or upon the request of company for any reason, any use of Company's trademarks or names will be immediately discontinued.

18. LIMITED WARRANTY.

COMPANY MAKES NO OTHER WARRANTIES EXCEPT THOSE STATED IN COMPANY'S LIMITED WARRANTY IN EFFECT ON THE DATE COMPANY ACCEPTS EACH APPLICABLE PURCHASE ORDER ("LIMITED WARRANTY"). THE LIMITED WARRANTY MAY BE FOUND IN THE APPLICABLE PRICE BOOK AND ON THE ALLEGION CUSTOMER WEBSITE, WHICH TERMS ARE EXPRESSLY INCORPORATED HEREIN BY REFERENCE. COMPANY WILL MAIL CUSTOMER A HARD COPY OF THIS WARRANTY UPON CUSTOMER'S WRITTEN REQUEST. IN THE EVENT THAT CERTAIN DELIVERABLE WARRANTIES ARE NOT FURNISHED BY THE COMPANY TO CUSTOMER, COMPANY WARRANTS ONLY TO CUSTOMER THAT THE DELIVERABLES WILL BE FREE FROM DEFECTS IN MATERIAL AND WORKMANSHIP FOR A PERIOD OF 12 MONTHS FROM THE DATE OF SHIPMENT OF THE DELIVERABLES. COMPANY'S SOLE OBLIGATION UNDER THIS WARRANTY IS LIMITED TO REPAIRING OR REPLACING, AT COMPANY'S OPTION, THE DEFECTIVE DELIVERABLE, PROVIDED WRITTEN NOTICE OF THE DEFECT OR NONCONFORMANCE IS PROVIDED BY CUSTOMER WITHIN 30 DAYS OF DISCOVERY OF THE DEFECT OR NONCONFORMANCE. COMPANY DISCLAIMS ALL OTHER WARRANTIES, EXPRESS OR IMPLIED, WITH RESPECT TO THE DELIVERABLES, INCLUDING BUT NOT LIMITED TO, ANY IMPLIED WARRANTIES OF NON-INFRINGEMENT, MERCHANTABILITY, OR FITNESS FOR A PARTICULAR PURPOSE.

a. **Exclusions.** The provisions of this Limited Warranty do not apply to Deliverables that: (A) are not the proper size for the application; (B) are not installed in accordance with Company's published installation instructions; (C) are installed with improper or incorrect parts and/or are used for purposes for which they are not designed or intended; (D) have been repaired or altered without the Company's prior written consent; (E) have been subjected to misuse, abuse, negligence or accident; (F) have been improperly stored, installed, maintained or operated; (G) have been used in violation of written instructions provided by Company to Customer; (H) have been subjected to improper temperature, humidity, or other environmental conditions, or (I) have been affected by normal wear and tear. In addition, the provisions of this Limited Warranty do not apply to any defects or issues with the design or performance of equipment or products not manufactured by Company, nor does it apply to any code compliance or permit requirements for the assembly, installation, erection or construction of any goods. Company is not responsible for loss or damage resulting from use of Deliverables in conjunction with parts or systems not manufactured by Company. Accessories or products furnished by the Company, but manufactured by others, shall carry whatever warranty the manufacturers have conveyed to the Company and which can be passed to Customer.

b. **Services.** Company warrants that its services will be free from defects in material and workmanship for a period of 12 months from the date of completion of the particular items of service. Company's sole obligation under this service warranty is limited to repair or reperformance, at its option of the service, provided however, if repair or reperformance is either impractical or impossible, the Company will refund to Customer that portion of the price paid to Company for any defective service, provided written notice of the defect or nonconformance is provided by Customer within 30 days of discovery of the nonconformance.

c. **Notification.** Customer agrees to immediately notify Company in writing if any claim is made against Customer for any damages caused by any modules, parts, products, service or other Deliverables which may be the direct result of any defect in the manufacture of such aforementioned products. Customer agrees to cooperate with Company and its counsel in the defense of such claim and Customer agrees not to settle such claim without Company's written consent. If Customer fails to notify Company of such claim or fails to cooperate in such defense as aforesaid, then Company shall be discharged from any obligations under this Section and shall have no further liability to Customer.

d. **Exceptions.** The following costs and expenses are not covered by the provisions of these limited warranties: (i) labor costs for the removal and reinstallation of Deliverables or other manufacturer's products; (ii) shipping and freight expenses required to return Deliverables to Company; (iii) normal maintenance; and (iv) economic losses. In addition, the provisions of this warranty are not applicable to anything other than defects in Company's material (products only) or workmanship.

19. LIMITATION OF REMEDIES.

CUSTOMER'S EXCLUSIVE AND SOLE REMEDY ON ACCOUNT OF, OR IN RESPECT OF, THE FURNISHING OF NON-CONFORMING DELIVERABLES, SHALL BE TO (A) SECURE REPAIR OR REPLACEMENT OF THE PRODUCTS; OR (B) SECURE REPAIR OR RE-PERFORMANCE OF THE SERVICES OR TO OBTAIN A REFUND OF THE PRICE PAID FOR THE DEFECTIVE SERVICE, ALL AT COMPANY'S OPTION. IN NO EVENT WILL THE COMPANY'S MAXIMUM LIABILITY EXCEED THE SELLING PRICE FOR THE DELIVERABLE. THE WARRANTY, OBLIGATIONS AND LIABILITIES OF COMPANY (INCLUDING ITS SUPPLIERS) AND THE RIGHTS AND REMEDIES OF CUSTOMER ARE EXCLUSIVE AND ARE IN LIEU OF AND CUSTOMER HEREBY WAIVES AND RELEASES ALL OTHER WARRANTIES, OBLIGATIONS, REPRESENTATIONS OR LIABILITIES EXPRESS OR IMPLIED ARISING BY LAW, IN CONTRACT, TORT (INCLUDING NEGLIGENCE OR STRICT LIABILITY) OR OTHERWISE, INCLUDING BUT NOT LIMITED TO (I) ANY IMPLIED WARRANTY OF MERCHANTABILITY OR FITNESS FOR A PARTICULAR PURPOSE OR ANY WARRANTY IMPLIED THROUGH COURSE OF PERFORMANCE, COURSE OF DEALING, OR USAGE OF TRADE OR (II) CLAIMS ARISING OUT OF THE NEGLIGENCE OF COMPANY OR COMPANY'S SUPPLIERS OR (III) ANY OTHER CLAIM ARISING OUT OF, CONNECTED WITH, OR RESULTING FROM THE PERFORMANCE OF COMPANY OR FROM THE DESIGN, MANUFACTURE, SALE, REPAIR, LEASE OR USE OF THE DELIVERABLE, OR ANY COMPONENT THEREOF, DELIVERED OR RENDERED HEREUNDER OR OTHERWISE.

20. INDEMNIFICATION AND LIMITATION OF LIABILITY.

a. Customer shall indemnify, defend and hold Company, and its officers, directors, employees, customers, Affiliates, suppliers, users and agents, (collectively the "Indemnitees") harmless from and against any and all damages, claims, losses, expenses, costs, obligations, liabilities, including without limiting the generality of the foregoing, liabilities for court costs and attorneys' fees, suffered directly or indirectly by an Indemnitee by reason of, or arising out of any injury, death or loss to any person, or injury to any property (collectively, "Damages"), received or sustained by any person(s) or property, arising out of, occasioned by, attributable or related to i) any breach of any representation or warranty made by Customer, its officers, directors, employees, affiliates, users, agents, representatives or customers to Company or any third party, (ii) any failure by

TERMS & CONDITIONS

Customer to perform or fulfill any of its covenants, acts and/or omissions to Company or to any third party, or (iii) any litigation, proceeding or claim by any third party relating in any way to the obligations of Customer and/or the Deliverables sold by Company to Customer hereunder. Customer shall not consummate any settlement of any indemnified claim without the Indemnitees' prior written consent. Customer's obligation to indemnify Indemnitees will continue in full force and effect notwithstanding the termination or expiration of any order under this Agreement. In any claim against an Indemnitee by an employee of Customer or any subcontractor or anyone directly or indirectly employed by any of them or anyone for whose acts they may be liable, the indemnification obligations set forth in this Section shall not be limited in any way by or for Customer or any subcontractor under any applicable worker's compensation act, disability or other employee benefit act, or insurance coverage. This provision shall survive termination of any order or Agreement. **IN NO EVENT WILL COMPANY, ITS OFFICERS, DIRECTORS, EMPLOYEES, CUSTOMERS, AFFILIATES, USERS AND AGENTS, (NOR COMPANY'S SUPPLIERS) BE LIABLE FOR ANY INCIDENTAL, CONSEQUENTIAL, INDIRECT, SPECIAL, OR PUNITIVE DAMAGES OF ANY KIND OR NATURE UNDER ANY CIRCUMSTANCES INCLUDING, BUT NOT LIMITED TO, LOSS OF USE OF THE PRODUCTS, SERVICE INTERRUPTION, LOSS OF PROFITS, LOSS OF REVENUE, LOSS OF INTEREST, LOST GOODWILL, LOSS OF DATA, WORK STOPPAGE, IMPAIRMENT OF OTHER GOODS, LOSS BY REASON OF SHUTDOWN OR NON-OPERATION, INCREASED EXPENSES OF OPERATION, OR CLAIMS OF CUSTOMER'S CUSTOMERS, OR ANY OTHER LOSSES OR DAMAGES ARISING OUT OF ANY LACK OR LOSS OF USE OF THE DELIVERABLES WHETHER BASED ON CONTRACT, WARRANTY, TORT (INCLUDING, BUT NOT LIMITED TO, STRICT LIABILITY OR NEGLIGENCE), PATENT INFRINGEMENT, OR OTHERWISE, EVEN IF ADVISED OF THE POSSIBILITY OF SUCH DAMAGES.**

b) **INTELLECTUAL PROPERTY INDEMNITY.** Company makes no representation or warranty to the Customer that the Deliverables shall not infringe any intellectual property rights including, without limitations, claims arising from patent, copyright, trademark, trade secret, or other intellectual property infringement. Customer agrees to hold Company harmless from and defend the Company against any such claim of intellectual property infringement, including any Damages resulting from that claim, the cost of complying with any preliminary or permanent injunction, and all other costs of defense (including the attorneys' fees and costs), in connection with the foregoing.

c) To the extent that applicable law does not permit any limitations set out in this Agreement, such limitation shall not be applied or invoked. Nothing in this Agreement will be interpreted to disclaim liability of Company or the Indemnitees for gross negligence or willful misconduct. The limitations of remedy and liability herein shall not be interpreted to affect Company's obligations, if any, for claims for (i) property damage, (ii) personal injury, or (iii) wrongful death asserted by persons who are not parties to or beneficiaries of this Agreement. Further, the limitations of remedy and liability herein shall not be interpreted to limit Company's or Customer's right, if permitted by applicable law, to assert a claim for contribution among joint tortfeasors in connection with a claim by a person who is not a party to this Agreement.

21. CERTIFICATIONS. Certification of Deliverables for compliance with UL and ANSI standards are tested and performed by third-party independent laboratories. Any field modification or alteration of certified Deliverables will void certification and Company is not liable to Customer to certify any modified or altered Deliverable.

22. TERM FOR CLAIMS. NO ACTION ARISING OUT OF ANY CLAIMED BREACH OF THIS AGREEMENT BY COMPANY MAY BE BROUGHT BY CUSTOMER MORE THAN ONE (1) YEAR AFTER THE CAUSE OF ACTION HAS ARISEN.

23. CONSUMER PRODUCTS

WITH RESPECT TO "CONSUMER PRODUCTS" AS DEFINED UNDER THE MAGNUSON-MOSS WARRANTY ACT ("MMWA"), THE FOLLOWING STATEMENTS ARE MADE. (A) SOME STATES OR LOCAL LAWS DO NOT ALLOW LIMITATIONS ON HOW LONG AN IMPLIED WARRANTY LASTS, SO THE ABOVE LIMITATION MAY NOT APPLY TO YOU; (B) IF ANY IMPLIED WARRANTY IS PROVIDED UNDER THE MMWA, IT IS LIMITED TO THE DURATION OF THE WARRANTY PROVIDED IN SECTION 18 ABOVE. (C) SOME STATES OR LOCAL LAWS DO NOT ALLOW THE EXCLUSION OR LIMITATION OF INCIDENTAL OR CONSEQUENTIAL DAMAGES, SO THE ABOVE LIMITATION OR EXCLUSION MAY NOT APPLY TO YOU; AND (D) THIS WARRANTY GIVES YOU SPECIFIC LEGAL RIGHTS AND YOU MAY ALSO HAVE OTHER RIGHTS WHICH VARY FROM STATE TO STATE OR LOCATION TO LOCATION.

24. FORCE MAJEURE/EXCUSABLE DELAY. Any delay or failure of Company to perform its obligations hereunder will be excused to the extent that it is caused by an event or occurrence beyond Company's control such as, by way of example and not by way of limitation, acts of God, acts by any governmental authority (whether valid or invalid), governmental laws and regulations not presently in effect, fires, floods, windstorms, explosions, riots, natural disasters, wars, sabotage, accidents, labor problems (including, without limitation, lockouts, strikes, and slowdowns) at Company's facility, its source plant or their suppliers, inability to obtain power, material, labor equipment, or transportation, or court injunction or order. The delivery date will be extended for a time equal to that of the delay and the schedule for Company's performance will be deemed adjusted to that effect.

25. ENTIRE AGREEMENT AND AMENDMENT. This Agreement, together with the attachments, exhibits, webpages, or supplements specifically referenced and incorporated herein, constitute the entire agreement between Company and Customer with respect to the matters contained herein and supersede all previous communications, representations, or agreements, either oral or written between Company and Customer. No agreement or understanding varying or expanding this Agreement will be binding upon either party unless it is in writing and signed by a duly authorized representative of each party hereto.

26. CONFLICTS. In the event of any conflict or inconsistency between the terms of any agreement, or any part of an agreement or the various documents (including, but not limited to, electronic documents) between Company and Customer, unless the parties agree otherwise in writing, the various components of the agreements shall be given the following precedence (in descending order of precedence): a) any master agreement or long term agreement between Company and Customer; b) any specific terms, conditions and/or warranties of the individual products or Deliverables; c) the terms and conditions of this Agreement, and d) any purchase order.

27. UNSATISFACTORY CREDIT/TERMINATION FOR INSOLVENCY OR DEFAULT.

Customer shall furnish Company with statements evidencing Customer's financial condition as Company may, from time to time, reasonably request, and shall notify Company immediately of any and all events that may have a material adverse effect on Customer's business or financial

condition. If Company determines, in its sole discretion, that Customer's financial condition or creditworthiness is inadequate or unsatisfactory, then in addition to Company's other rights, Company may without liability or penalty, take any of the following actions: (i) modify the payment terms for any outstanding and/or future purchases; (ii) cancel any previously accepted orders; (iii) delay any further shipment of Deliverables to Customer; or (iv) any combination of the above.

Company may immediately terminate an order from Customer by giving written notice to Customer in the event of the happening of any of the following or any other comparable event: (i) insolvency of the Customer; (ii) filing of a petition in bankruptcy by or against the Customer; (iii) appointment of a receiver or trustee for the Customer; (iv) execution of an assignment for the benefit of creditors by the Customer, all of which will allow Company to demand reclamation of all affected orders; (v) Customer ceases or threatens to cease to trade; (vi) Company determines that Customer does not meet or no longer meets the credit requirements of Company or Customer's credit account is closed; (vii) any Customer violation of law, specifically including, without limitation, those laws set forth in this Agreement.

In the event of termination in accordance with this section, Company will not be obligated to accept any existing or additional orders from Customer and Company will be released from its obligation to deliver under orders accepted prior to such termination. The rejection or termination of any order by Company will not entitle Customer to any termination or severance compensation, or to any payment in respect to any goodwill established by Customer, or render Company liable for damages on account of the loss of prospective profits, or on account of any loss, expenditure, investment or obligation incurred or made by Customer.

No action taken under this Section 27 by Company (nor any failure of Company to act under this Section 27) will constitute a waiver by Company of any of its rights to enforce Customer's obligations, including the obligation of Customer to make payments as required under this Agreement. Upon termination of any order, all amounts owed by Customer to Company will become immediately due and payable, whether or not otherwise then due or payable.

28. CREDIT RISK ON RESALE OF DELIVERABLES. Customer is responsible for all credit risks with respect to, and for collecting payment for, all Deliverables sold to third parties (including End Users, installers, and/or general contractors) whether or not Customer has made full payment to Company for such Deliverables. The inability of Customer to collect payment for any Deliverable shall not affect Customer's obligation to pay Company for any Deliverable.

29. GOVERNING LAW; VENUE; AND EXPENSES. Any dispute or claim relating to this Agreement shall be governed by and construed according to the laws of the State of Indiana (excluding its conflict of laws principles); and not by the provisions of the 1980 United Nations Convention on the International Sale of Goods. Any disputes or claims shall be instituted and maintained in the courts of the State of Indiana. Customer consents to the exercise of jurisdiction over it by such courts and agrees that Indiana is not an inconvenient forum for any action arising from or relating to this Agreement. Customer agrees to pay for all expenses (including, but not limited to, collection costs, court costs and attorneys' fees) incurred by Company in enforcing the obligations of Customer under this Agreement.

30. RELATIONSHIP OF THE PARTIES. Nothing in this Agreement or any other document creates an employment, partnership, joint venture, or agency relationship between Company and Customer, including that of franchisee/franchisor. No party will have any power or authority to enter into any commitment on behalf of or otherwise bind the any other party on any matter. No employee of Customer will be deemed to be an employee of Company. If any provision of this Agreement is deemed to create a franchise relationship or business opportunity between the Parties, then Company may terminate any purchase order or this Agreement or the Parties shall negotiate in good faith to modify this Agreement so as to effect the original intent of the Parties as closely as possible in a mutually acceptable manner in order that the transactions contemplated hereby are consummated as a reseller agreement and not a franchise or business opportunity agreement.

31. SETOFF. Customer does not have the right to setoff or to back charge against any amounts which become payable to Company under this Agreement or otherwise. Company will not accept responsibility for backcharges for the cost of material or labor by Customer or any third party.

32. ELECTRONIC COMMUNICATIONS AND ELECTRONIC SIGNATURES. Both parties expressly agree to electronic transactions and acknowledge that documents they sign electronically will bind them to the same extent as a paper signature. Customer represents and warrants to Company that only employees authorized to bind Customer legally shall electronically sign any document under this Agreement. Customer shall comply with any method of electronic communication/payment processing specified by Company, including electronic funds transfer, pay-on-receipt processes/systems, order transmission, releases, electronic signature, and electronic communication systems, including, without limitation, the use of electronic data interchange ("EDI") portals. Notwithstanding the foregoing, e-mails, even those containing a signature block of one of Company's representatives, shall not constitute a signed writing.

33. COMPLIANCE WITH APPLICABLE LAWS.

a. **General.** Company and Customer will comply with all applicable federal, state and municipal laws, regulations, codes, ordinances and orders that pertain to the Deliverables, including but not limited to full compliance with any applicable provisions of The Health Insurance Portability and Accountability Act. Where the Customer is located outside the United States, or where the customer intends to ship the product outside the United States, the Customer shall be responsible for compliance with all U.S. export laws, and for filing all U.S. Electronic Export Information, as applicable.

b. The Customer acknowledges and agrees that: (i) it shall not violate applicable laws and regulations in performing its duties under this Agreement; (ii) it does not and shall not engage in any conduct that shall violate any applicable anti-bribery or anti-corruption laws or regulations; (iii) it (and its owners, officers, directors, employees and agents) shall not pay, offer, promise or authorize the payment of, either directly or indirectly, anything of value (including but not limited to cash, gifts and entertainment) to (a) any government official or employee of any government; (b) any official or employee of any department, agency, or instrumentality of a government; (c) any employee of any corporation or entity owned or controlled by a government; (d) any family member of such officials or employees; (e) any political party, party official, or political candidate; or (f) any other persons, owners, officers, directors, employees and agents of any corporation or entity; to improperly or illegally assist in obtaining or retaining business (including but not limited to any contracts, avoidance of duties or reduction of tariffs, reduction of taxes or

to obtain money owed, or to obtain regulatory approval) or for the purpose of causing, soliciting or inducing the sale and purchase of the Deliverables by any party, and (iv) it has full knowledge of and will comply with the Company's Code of Conduct for Business Partners as set forth on the Allegion customer website, **WHICH IS HEREBY INCORPORATED BY REFERENCE.**

c. The Customer shall indemnify and hold the Company harmless from any claim, demand, expense or cost arising from any breach of this Article.

d. The Customer shall permit the Company to conduct an audit or review of the Customer's financial books and records and business operations at such other times that the Company considers it necessary to confirm compliance with this provision. Such audit may be conducted by representatives of the Company or, at the Company's sole discretion, by a certified public accounting firm selected by the Company. The Customer shall cooperate with any inquiries from the Company's Ethics & Compliance Group.

e. A violation of this provision constitutes a material breach of this Agreement and the Company may terminate any purchase order or this Agreement immediately, with no opportunity to cure, in accordance with Section 27 of this Agreement.

f. Notwithstanding the foregoing provisions of this Section 33, (i) Company is not responsible for obtaining or maintaining any permits for the performance of services or the verification or compliance with any code requirements relative to the performance of services, (ii) to the extent any sale of Deliverables pursuant to this Agreement may require approval of the U.S. Government, Company's obligations under this Agreement are conditioned upon the grant of such approval and upon compliance by Customer with any restrictions imposed by the U.S. Government in connection with such approval, and (iii) in the event the Deliverables are to be used in a nuclear facility, the Customer shall, prior to such use, arrange for insurance or governmental indemnity protecting Company against liability. The Customer hereby releases and agrees to indemnify Company and its suppliers for any nuclear damage including, but not limited to, loss of use, in any manner arising out of the nuclear incident, whether alleged to be due, in whole or in part by Company or its suppliers.

g. **No Inducements.** Each party represents to each other that neither it nor any person acting on its behalf has, in contravention of any applicable law, given or offered to give or will give or offer to give, any sum of money or other material consideration to any person, directly or indirectly, as an inducement to obtain business hereunder or to influence the granting of licenses or other governmental permissions to enter into this Agreement or perform obligations hereunder.

h. **Equal Employment Opportunity.** Company is a U.S. federal contractor that complies with Executive Order 11246, as amended, and applicable regulations in 41 CFR Parts 60-1 through 60-60, 29 U.S.C. § 793 and applicable regulations in 41 CFR § 60-741; and 38 U.S.C. § 4212 and applicable regulations in 41 CFR Part 60-250 and 60-300. **THE FOLLOWING PROVISIONS ARE INCORPORATED HEREIN BY REFERENCE:** Executive Order 11246, as amended by Executive Order 13672, and 41 CFR § 60-4.3(a); Executive Order 11701 and 41 CFR §§ 60-250.5(a), 60-300.5; Executive Order 11758 and 41 CFR § 60-741.5(a); U.S. immigration laws, including the L-1 Visa Reform Act of 2004 and the H-1B Visa Reform Act of 2004; and Executive Order 13496.

i. **Ethical Business Conduct.** Customer shall adopt and comply with Company's Business Partner Code of Conduct which is **EXPRESSLY INCORPORATED HEREIN BY REFERENCE.**

34. REPRESENTATIONS AND WARRANTIES. Customer represents, warrants and covenants to Company that: (a) it has the right, power, and authority to enter into this Agreement and fully perform its obligations hereunder; (b) it has all necessary rights in and to its respective Content and Marks for use within the scope of this Agreement, including the licenses granted herein; and (c) it complies, and at all times shall comply, with all laws, rules, and regulations in effect that are applicable to its performance under this Agreement, including obtaining all such approvals and/or permits as may be required hereunder.

35. NO THIRD-PARTY BENEFICIARY. Each party is entering into this Agreement solely based on the representations contained herein for its own purposes and not for the benefit of any third party.

36. NOTICES AND CHANGE OF ADDRESS. All notices or other communications under this Agreement shall be in writing and delivered in person, or sent by receipted courier, express mail, e-mail, or postage prepaid certified or registered mail, addressed to the party for whom it is intended, at the addresses set forth in this Agreement. Either party may change its address for notice by giving written notice to the other party. Any notice or other communication shall be deemed given no later than the date actually received. Notice by courier, express mail, certified mail, or registered mail shall be deemed given on the date it is officially recorded as delivered and, in the absence of such record of delivery, it shall be rebuttably presumed to have been delivered on the third Business Day after it was deposited. Notices sent by e-mail require tangible confirmation of receipt from addressee.

37. ASSIGNMENT. Customer may not assign this Agreement without the prior written consent of Company. Company may assign its rights and delegate its duties under this Agreement, without the prior consent of Customer, to an Affiliate, or to a third party in the event of a spin-off, merger, business combination, consolidation or sale of all, or substantially all, of its assets or business that are related to this Agreement. The rights and duties in this Agreement shall bind and inure to the benefit of any such assignee.

38. SEVERABILITY. If any provision of this Agreement is held to be invalid, illegal, or unenforceable under any statute, regulation, ordinance, executive order, or other rule of law, that provision will be deemed severed to the extent necessary to comply with such statute, regulation, ordinance, order, or rule. In the event such provision is deemed severed, the parties will negotiate in good faith to arrive at an alternative arrangement approximating the original business objective of the parties. The remaining terms and conditions of this Agreement will remain in effect.

39. NO IMPLIED WAIVER. The failure of either party at any time to require performance by the other party of any provision of this Agreement will in no way affect the right to require such performance at any time thereafter, nor will the waiver of either party of a breach of any provision of this Agreement constitute a waiver of any succeeding breach of the same or any other provision.

40. MISCELLANEOUS. (a) This Agreement does not make either party the agent or legal representative of the other party. Neither party is authorized to create any obligation on behalf of the other party including, but not limited to, the obligation for payment of any service or warranty obligation hereunder; (b) The rights and remedies herein reserved to Company are cumulative and additional to any other rights and remedies provided at law or equity; (c) The official text of this Agreement is in the English language. If this Agreement is translated into another language, the English text will govern any question with respect to interpretation;

(d) The headings in this Agreement are for convenience of reference only and do not affect the meaning of this Agreement in any manner.

DEFINITIONS.

Capitalized terms have the meanings set forth in this Section, or in the Section in which they first appear in this Agreement.

"Agreement" means these Allegion Terms and Conditions of Sale and Service, together with any applicable Country Supplement or Region Supplement provided by Company, and all of the documents referenced herein or therein.

"Affiliate" means any Person that directly or indirectly, through one or more intermediaries, controls, is controlled by, or is under common control with, the Company. The term "control" (including the terms "controlled by" and "under common control with") means the possession, directly or indirectly, of the power to direct or cause the direction of the management and policies of a Person, whether through the ownership of voting securities, by contract or otherwise.

"Business Day" means any day except Saturday, Sunday or any other day on which commercial banks located in the United States are authorized or required by Law to be closed for business.

"Company" means Schlage Lock Company, LLC or any subsidiary or affiliate thereof selling products that are part of the Allegion product portfolio. Schlage Lock Company and/or its subsidiary or affiliates will be severally but not jointly liable under the Agreement.

"Company Marks" refers to the Marks of Company.

"Confidential Information" shall mean any and all information provided by either party to the other party pertaining to the disclosing party's business. Confidential Information shall include, but not be limited to, any bidding lists, formulae for products, manufacturing processes, production techniques, packaging processes, methods, research materials, ideas, marketing plans and related materials, quality standards, test results and data, apparatus, engineering drawings, contract documents, computer software, hardware, or firmware, business activities information such as financial information, reports, projections, books and records, customer and supplier information, and operations, customer and supplier lists and data, specifications, know how, and other Proprietary Information or Trade Secrets (as defined herein) that either party may furnish to the other party. Confidential Information shall not include information that:

(a) is or becomes publicly known if such public knowledge or disclosure is not the result of any act or failure to act on the part of the receiving party; (b) is, at the time of disclosure, already known to the Receiving Party without utilizing the Confidential Information; (c) is information disclosed to the Receiving Party by a third party which is not to the Receiving Party's knowledge, after inquiry of the third party, under a duty of confidentiality to the Disclosing Party; or (d) is independently developed by the Receiving Party without the use of Confidential Information. The Receiving Party shall have the burden of proof as to prior knowledge and absence of breach. Confidential Information may be furnished in any tangible or intangible form including, but not limited to, writings, drawings, computer and other electronic media, logic diagrams, component specifications, graphs, prototypes, samples, or verbal communications and regardless of whether such information is marked or designated as "confidential." For the avoidance of doubt, all information, knowledge or data disclosed by Company to Customer, regardless of whether disclosed in written, tangible, oral, visual or other form, including, without limitation, sample products, equipment, software, or other objects or material, provided by Company to Customer, and all information, knowledge or data which was obtained by Customer from visits to Company's facilities, shall be considered "Confidential Information" under this Agreement.

"Content" means all information (including without limitation any text, music, sound, photographs, video, graphics, data or software), in any medium, on a particular Company Web page or Website or in Marketing Materials.

"Customer" means the purchaser of Deliverables from Company.

"Deliverables" means any good or service or both purchased by Customer from Company under these General Terms and Conditions of Sale and Service.

"End Users" means the purchaser that (a) has acquired a Deliverable from Customer for (i) its own and its Affiliate's/Affiliates' internal use and not for resale, remarketing or distribution or (ii) incorporation into its own products and (b) is an individual or entity, other than any federal, state or local agency, office or division.

"IP" means all intellectual property and industrial property rights comprising or relating to/ of the following: (a) Patents; (b) Trademarks; (c) internet domain names, whether or not Trademarks, registered by any authorized private registrar or Governmental Authority, web addresses, web pages, website and URLs; (d) works of authorship, expressions, designs and design registrations, whether or not copyrightable, including copyrights and copyrightable works, software and firmware, application programming interfaces, architecture, files, records, schematics, data, data files, and databases and other specifications and documentation; (e) Trade Secrets; and (f) all other intellectual property and industrial property rights, and all rights, interests and protections that are associated with, equivalent or similar to, or required for the exercise of, any of the foregoing, however arising, in each case whether registered or unregistered and including all registrations and applications for, and renewals or extensions of, such rights or forms of protection pursuant to the Laws of any jurisdiction throughout in any part of the world.

"Marketing Materials" means all marketing brochures, buckslips, pamphlets, emails, text, call scripts or other material, whether in printed format, audio or audiovisual format, or in any other format, that contain any (i) Content relating to the Company Deliverables or (ii) Company Marks.

"Marks" means collectively the domain names, trademarks, trade names, service marks, trade dress, logos, and the like used or provided by either party for use in connection with this Agreement.

"Patents" means all patents (including all reissues, divisionals, provisionals, continuations and continuations-in-part, re-examinations, renewals, substitutions and extensions thereof), patent applications, and other patent rights and any other Governmental Authority-issued indicia of invention ownership (including inventor's certificates, petty patents and patent utility models).

"Person" means a person or entity.

"Price Books" mean Company's current Price Book in effect for the applicable Deliverable being purchased by Customer.

"Trade Secrets" means and includes business or technical information of either party, including processes, formulas, devices, techniques, compilations and other material that a party attempts to maintain in secret and that derive commercial value for such party from not being generally known to the public or readily ascertainable through independent development or reverse engineering.

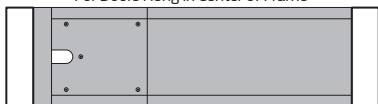
CUSTOM CHARGE: Special door markings and bulk packaging markings available at no charge.

FABRICATION:

- All items cut with tolerance -0+1/8" (3.2) to 1/2" (12.7)
- Drilling according to industry practice.
- All threshold straight cut.
- NH - No Holes Standard List - All models where NH is standard can have holes drilled as Engineered special, customer must submit template with order. See threshold chart for options.
- PIVOT HOLES \$ 45.42 list each
- COPING (Detail required):
 - L cut \$ 45.42 list price each
 - U cut \$ 90.85 list price each
- RETURN ENDS \$204.67 added to total list price threshold
- MITER \$ 10.24 list each
- RIPPING \$ 12.76 list per foot
- SPOT WELD \$ 18.46 list per foot
- BEVELING \$ 12.76 list per foot
- FLOOR CLOSER COVER: Prices are addition to threshold list prices.
- LONG LENGTH THRESHOLD CHARGE (applies to thresholds > 10'. All thresholds above 10', only 11', 12', 13', 14' and 14'6" lengths can be ordered. 14'6" only available for A mill aluminum finish.) \$9.73
- MAXIMUM LENGTHS: Thresholds 174" (168" for anodized finishes)

TYPE 1

For Doors Hung in Center of Frame

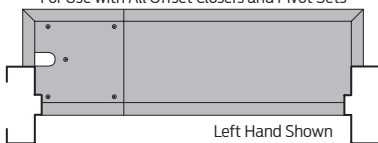


Left Hand Shown

\$ 139.68 list adder single door
\$ 285.51 list adder double door

TYPE 3

For Use with All Offset Closers and Pivot Sets

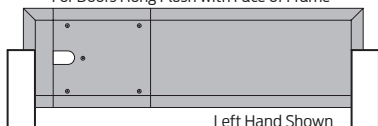


Left Hand Shown

\$ 397.40 list adder single door
\$ 794.82 list adder double door

TYPE 4

For Doors Hung Flush with Face of Frame

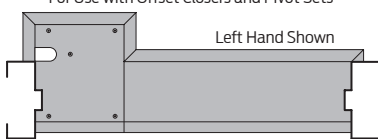


Left Hand Shown

\$ 397.40 list adder single door
\$ 794.82 list adder double door

TYPE 5

For Use with Offset Closers and Pivot Sets



Left Hand Shown

\$ 496.77 list adder single door
\$ 993.54 list adder double door

OPTIONS:

• E	Epoxy Tread	\$10.86	List price adder x width in inches x length per foot. See table for specific model widths.
• EL	Photoluminescent and Epoxy Tread	\$10.86	
• V3	Full Body Fill for Thresholds	\$15.53	
• EV3	Epoxy Tread and V3 Full Body Fill	\$26.39	
• ELV3	Photoluminescent and Epoxy Tread with V3 Full Body Fill	\$26.39	

Use Threshold adder chart for widths and available options.

Example: 655A-V3-36"

Threshold - \$18.72 *3 (ft) = \$56.16

V3 Adder - \$15.53 *5 (inches in width)* 3 (feet in length) = \$232.95

Total Price: \$56.16 + \$232.95 = \$289.11

• FLO	Air Flow Configuration (Sweeps, Shoes, and Door Bottoms)	\$3.89	List Adder per foot
• LS	Light Spring for Door Bottoms		
• PSA	Pressure Sensitive Adhesive (Weather Stripping and Intumescent)		
• SEC	Security Screws		
• Z49	Z49 Door Bottom End cap System (with Pull Out, standard)	\$20.19	
	Z49 Door Bottom End cap System (without Pull out, must specify Z49 only)	\$13.43	
	Pull Out Feature (PL)	\$6.76	
• ZAG	Anti Ligature (Weather Stripping and Head and Jamb)	\$1.42	List Adder per foot

FASTENERS:

Supplied at no charge except drive screws & nails (see page 22). Flathead wood screws supplied with threshold, expansion shields extra.

ROUNDING RULES:

Thresholds round up to next 1/2 foot. (except 600CP, 601CP)

Door Sweeps - round up to the next 1/2 foot.

Head & Jamb -

Set: Width to next 1/2 foot * (height to next 1/2 foot * 2)

Stick: round up to the next 1/2 foot.

Gasketing/Weatherstripping- round up to the next full foot.

FINISH DESIGNATIONS / ABBREVIATIONS:

A = Aluminum, Mill finish	B-ORB = Oil Rubbed Bronze finish
AA = 204R1/202R1 Clear Anodized Finish	B-POL = High Buff Polished Bronze
B = Architectural Bronze, Mill finish	B-SAT = Stain Polished Bronze
BK = Black Anodized 315AN	SP = Steel Prime
D = 2 Step Dark Bronze Anodized (Dark Brown)	STST = Stainless Steel
G = 204R1/202R1 Gold Anodized finish	

Note: Black, Dark Bronze and Gold anodized finishes will show wear over time and are not included in the standard warranty. Also, color anodized finishes may require an extended lead time for finishing.

BRONZE FINISHING:

• B-ORB (Oil Rubbed Bronze Finish)	Add 40% to list price
• B-POL (High Buff Polished Bronze - models 7000, 7332, 7334, 7335, 7336, 7338 only)	Add 40% to list price
• B-SAT (Satin Polished Bronze - models 7000, 7332, 7334, 7335, 7336, 7338 only)	Add 40% to list price

*No E, EL, V3, EV3 or ELV3 if B-ORB is requested.

THRESHOLD MODELS AND OPTIONS

MODEL	NH - OPTIONAL OR STANDARD	THRESHOLD WIDTH FOR ADDER	E OR EL AVAILABLE	V3 AVAILABLE	MODEL	NH - OPTIONAL OR STANDARD	THRESHOLD WIDTH FOR ADDER	E OR EL AVAILABLE	V3 AVAILABLE
15	Standard	N/A			601CP	Standard	N/A		
48	Standard	N/A			622	Optional	2"	✓	✓
49	Standard	N/A			623	Optional	3"	✓	✓
63	Standard	3"	✓	✓	624	Optional	4"	✓	✓
64	Optional	3"	✓	✓	625	Optional	5"	✓	✓
65	Optional	5"	✓	✓	626	Optional	6"	✓	✓
68	Standard	N/A			627	Optional	2"	✓	✓
69	Standard	N/A			628	Optional	3"	✓	✓
70	Optional	2"/3"	✓	✓	643	Optional	3"	✓	✓
73	Optional	2"/4"	✓	✓	647	Standard	7"	✓	✓
76	Optional	2"/4"	✓	✓	653	Optional	3"	✓	✓
80	Optional	2"/5"	✓	✓	654	Optional	4"	✓	✓
102	Standard	6"	✓		655	Optional	5"	✓	✓
103	Standard	7"	✓		656	Standard	6"	✓	✓
104	Standard	6"	✓		657	Standard	7"	✓	✓
105	Standard	N/A			663	Standard	3"	✓	✓
106	Standard	N/A			664	Optional	4"	✓	✓
107	Standard	N/A			672	Standard	2"	✓	
164	Optional	4"	✓	✓	673	Standard	3"	✓	
168	Standard	N/A			674	Standard	4"	✓	
175	Optional	3"/5"	✓	✓	675	Standard	5"	✓	
232	Standard	6"	✓	✓	676	Standard	6"	✓	
233	Standard	3"	✓		678	Standard	8"	✓	
234	Standard	3"	✓		1545	Optional	3"	✓	✓
235	Standard	3"	✓		1673	Optional	3"	✓	✓
236	Standard	6"	✓		1674	Optional	4"	✓	✓
237	Standard	4"	✓		1675	Optional	5"	✓	✓
238	Standard	4"	✓		1682	Optional	2"	✓	✓
259R	Standard	N/A			1684	Optional	4"	✓	✓
265	Optional	5"	✓	✓	1685R	Standard	N/A		
267	Optional	2"	✓		1686R	Standard	N/A		
268	Standard	N/A			2361	Standard	4"	✓	
269	Standard	N/A			2673	Standard	3"	✓	
304	Optional	2"		✓	2676	Standard	6"	✓	
469	Standard	N/A			3672	Standard	2"	✓	
522	Optional	2"	✓	✓	3673	Standard	3"	✓	
523	Optional	3"	✓	✓	3674	Standard	4"	✓	
524	Optional	3"	✓	✓	3675	Standard	5"	✓	
525	Optional	5"	✓	✓	3676	Standard	6"	✓	
526	Optional	6"	✓	✓	6570	Standard	7"	✓	✓
544	Optional	4"	✓	✓	6575	Standard	8"	✓	✓
545	Optional	5"	✓	✓	6710	Standard	10"	✓	
546	Standard	6"	✓	✓	7000	Optional	N/A		
547	Standard	7"	✓	✓	7332	Optional	N/A		
548	Standard	8"	✓	✓	7334	Optional	N/A		
560	Optional	5"	✓	✓	7335	Optional	N/A		
561	Optional	5"	✓	✓	7336	Optional	N/A		
563	Optional	4"	✓	✓	7337	Optional	N/A		
564	Optional	4"	✓	✓	8452	Optional	2"	✓	
565	Optional	5"	✓	✓	8655	Optional	5"	✓	✓
566	Optional	5"	✓	✓	8724	Optional	6"	✓	✓
568	Optional	6"	✓	✓	8726	Optional	8"	✓	✓
600CP	Standard	N/A			8729	Optional	7"	✓	✓

CATALOG ITEMS NUMERICAL INDEX

PART NUMBER	DESCRIPTION	TYPE	LIST PRICE PER FOOT	LIST PRICE PER METER
4B	Bronze Jamb 1 3/4" (44.5) Top Sash	Weather Stripping	\$ 10.60	\$ 34.78
4Z	Zinc Jamb 1 3/4" (44.5) Top Sash	Weather Stripping	\$ 3.41	\$ 11.18
5B	Bronze Jamb 2 1/8" (54.0) Lower Sash	Weather Stripping	\$ 11.56	\$ 37.92
5Z	Zinc Jamb 2 1/8" (54.0) Lower Sash	Weather Stripping	\$ 3.73	\$ 12.23
11A	Aluminum Rain Drip	Rain Drip	\$ 4.69	\$ 15.39
11BK	Dark Bronze Anodized Rain Drip	Rain Drip	\$ 6.49	\$ 21.28
11D	Dark Bronze Anodized Rain Drip	Rain Drip	\$ 6.49	\$ 21.28
11G	Gold Anodized Rain Drip	Rain Drip	\$ 6.49	\$ 21.28
15B**	Bronze Butt Threshold 1 1/4" (35.6)	Threshold	\$ 38.16	\$ 125.22
18B	Cushion Bronze 9/16" (14.2)	Weather Stripping	\$ 1.85	\$ 6.07
19B	Cushion Bronze 3/4" (19.1)	Weather Stripping	\$ 2.12	\$ 6.96
19WB	Cushion Bronze 1 1/8" (28.6)	Weather Stripping	\$ 2.17	\$ 7.11
23B	Bronze Sill Hook	Weather Stripping	\$ 7.23	\$ 23.76
25AA	Clear Anodized Extruded Aluminum Angle	Gasketing	\$ 2.68	\$ 8.82
25D	Dark Bronze Anodized Angle	Gasketing	\$ 5.10	\$ 16.69
25G	Gold Anodized Angle	Gasketing	\$ 5.10	\$ 16.69
31AA	Clear Anodized Bumper Strip / Silicone	Gasketing	\$ 8.22	\$ 26.98
31BK	Black Anod. Bumper Strip/ Silicone	Gasketing	\$ 11.67	\$ 38.31
31D	Dark Bronze Anod. Bumper Strip/ Silicone	Gasketing	\$ 11.67	\$ 38.31
31G	Gold Anodized Bumper Strip/ Silicone	Gasketing	\$ 11.67	\$ 38.31
32AA	Clear Anodized Bumper Strip / Brush	Gasketing	\$ 8.22	\$ 26.98
32BK	Black Anodized Bumper Strip/ Brush	Gasketing	\$ 11.67	\$ 38.31
32D	Dark Bronze Anodized Bumper Strip/ Brush	Gasketing	\$ 11.67	\$ 38.31
32G	Gold Anodized Bumper Strip / Brush	Gasketing	\$ 11.67	\$ 38.31
32P-BK	Self Adhesive Pile Brush, Black	Replacement Gasket	\$ 2.06	\$ 6.77
32P-GY	Self Adhesive Pile Brush, Gray	Replacement Gasket	\$ 2.06	\$ 6.77
33AA	Clear Anodized / Silicone Lip	Gasketing	\$ 8.22	\$ 26.98
33BK	Black Anodized / Silicone Lip	Gasketing	\$ 11.67	\$ 38.31
33D	Dark Bronze Anodized / Silicone Lip	Gasketing	\$ 11.67	\$ 38.31
33G	Gold Anodized / Silicone Lip	Gasketing	\$ 11.67	\$ 38.31
34AA	Clear Anodized / Brush / Adjustable	Meeting Stile	\$ 11.36	\$ 37.24
34BK	Black Anodized / Brush / Adjustable	Meeting Stile	\$ 15.93	\$ 52.27
34D	Dark Bronze Anodized / Brush / Adjustable	Meeting Stile	\$ 15.93	\$ 52.27
34G	Gold Anodized / Brush / Adjustable	Meeting Stile	\$ 15.93	\$ 52.27
34P-BK	Pile Brush, Black	Replacement Gasket	\$ 4.75	\$ 15.55
34P-GY	Pile Brush, Gray	Replacement Gasket	\$ 4.75	\$ 15.55
34P-BK-PSA	Self Adhesive Pile Brush, Black	Gasketing	\$ 4.66	\$ 15.25
34P-GY-PSA	Self Adhesive Pile Brush, Gray	Gasketing	\$ 4.66	\$ 15.25
35AA	Clear Anodized/ Silicone Lip/ Adjustable	Meeting Stile	\$ 11.36	\$ 37.24
35BK	Dark Bronze Anod./ Silicone Lip/ Adjustable	Meeting Stile	\$ 15.93	\$ 52.27
35D	Dark Bronze Anod./ Silicone Lip/ Adjustable	Meeting Stile	\$ 15.93	\$ 52.27
35G	Gold Anodized/ Silicone Lip/ Adjustable	Meeting Stile	\$ 15.93	\$ 52.27
36AA	Clear Anodized/ Silicone Lip/ Adjustable	Meeting Stile	\$ 11.19	\$ 36.69
36BK	Black Anod./ Silicone Lip/ Adjustable	Meeting Stile	\$ 15.93	\$ 52.27
36D	Dark Bronze Anod./ Silicone Lip/ Adjustable	Meeting Stile	\$ 15.93	\$ 52.27
36G	Gold Anodized / Silicone Lip/ Adjustable	Meeting Stile	\$ 15.93	\$ 52.27
38AA	Clear Anodized / Solid Insert	Meeting Stile	\$ 11.19	\$ 36.69
38BK	Black Anodized / Solid Insert	Meeting Stile	\$ 15.93	\$ 52.27
38D	Dark Bronze Anodized / Solid Insert	Meeting Stile	\$ 15.93	\$ 52.27
38G	Gold Anodized / Solid Insert	Meeting Stile	\$ 15.93	\$ 52.27
39A	Aluminum / Solid Neoprene 1/2" (12.7)	Door Sweep	\$ 8.29	\$ 27.19
39BK	Black Anodized/Solid Neoprene 1/2" (12.7)	Door Sweep	\$ 11.19	\$ 36.70
39D	Dark Bronze Anodized/Solid Neoprene 1/2" (12.7)	Door Sweep	\$ 11.19	\$ 36.70
39G	Gold Anodized/Solid Neoprene 1/2" (12.7)	Door Sweep	\$ 11.19	\$ 36.70
39WA	Aluminum / Solid Neoprene 1 1/4" (31.8)	Door Sweep	\$ 11.36	\$ 37.24
39WBK	Black Anodized /Solid Neoprene 1 1/4"	Door Sweep	\$ 15.20	\$ 49.87
39WD	Dark Bronze Anodized /Solid Neoprene 1 1/4"	Door Sweep	\$ 15.20	\$ 49.87
39WG	Gold Anodized /Solid Neoprene 1 1/4"	Door Sweep	\$ 15.20	\$ 49.87
40AA	Clear Anodized Astragal / Magnet Vinyl	Meeting Stile	\$ 18.40	\$ 60.35
40D	Dark Bronze Anod. Astragal / Magnet Vinyl	Meeting Stile	\$ 27.46	\$ 90.05
41AA	Clear Anodized Security Astragal	Meeting Stile	\$ 16.24	\$ 53.29
41BK	Dark Bronze Anodized Security Astragal	Meeting Stile	\$ 17.54	\$ 57.55
41D	Dark Bronze Anodized Security Astragal	Meeting Stile	\$ 17.54	\$ 57.55
41G	Gold Anodized Security Astragal	Meeting Stile	\$ 17.54	\$ 57.55
43SP	Steel Prime Astragal 2 1/4" (57.2)	Meeting Stile	\$ 15.44	\$ 50.68
43STST	Stainless Steel Astragal 2 1/4" (57.2)	Meeting Stile	\$ 32.30	\$ 105.99
44STST	Stainless Steel Astragal 1 1/2" (38.1)	Meeting Stile	\$ 19.33	\$ 63.49

PART NUMBER	DESCRIPTION	TYPE	LIST PRICE PER FOOT	LIST PRICE PER METER
47A	Aluminum astragal 1 3/4" (44.5) x 1/8" (3.2)	Meeting Stile	\$ 9.43	\$ 30.91
47BK	Black Anod. astragal 1 3/4" (44.5) x 1/8" (3.2)	Meeting Stile	\$ 13.06	\$ 42.85
47D	Dark Bronze Anod. astragal 1 3/4" (44.5) x 1/8" (3.2)	Meeting Stile	\$ 13.06	\$ 42.85
47G	Gold Anod. astragal 1 3/4" (44.5) x 1/8" (3.2)	Meeting Stile	\$ 13.06	\$ 42.85
48A	Aluminum Plate 3/16" (4.7) x 1 1/2" (38.1)	Threshold	\$ 8.53	\$ 27.99
49A	Aluminum Plate 1/8" (3.2) x 1 3/4" (44.5)	Threshold	\$ 9.43	\$ 30.93
50AA	Aluminum / Neoprene	Gasketing	\$ 6.65	\$ 21.83
50BK	Black Anodizing / Neoprene	Gasketing	\$ 9.27	\$ 21.83
50D	Dark Bronze Anodizing / Neoprene	Gasketing	\$ 9.27	\$ 21.83
50G	Gold Anodizing / Neoprene	Gasketing	\$ 9.27	\$ 21.83
50MAA	Aluminum / Beveled Neoprene	Door Sweep	\$ 7.51	\$ 24.63
50MBK	Black Anodizing / Beveled Neoprene	Door Sweep	\$ 10.45	\$ 34.31
50MD	Dark Bronze Anodizing / Beveled Neoprene	Door Sweep	\$ 10.45	\$ 34.31
50MG	Gold Anodizing / Beveled Neoprene	Door Sweep	\$ 10.45	\$ 34.31
51A-90	6.5" W rubber, grey. For doors that open to 90°	Finger Guard	\$ 15.29	\$ 50.17
51BK-90	6.5" W rubber, grey. For doors that open to 90°	Finger Guard	\$ 21.41	\$ 70.24
51D-90	6.5" W rubber, grey. For doors that open to 90°	Finger Guard	\$ 21.41	\$ 70.24
51G-90	6.5" W rubber, grey. For doors that open to 90°	Finger Guard	\$ 21.41	\$ 70.24
51A-180	8.5" W rubber, grey. For doors that open to 180°	Finger Guard	\$ 16.34	\$ 53.59
51BK-180	8" W rubber, grey. For doors that open to 180°	Finger Guard	\$ 22.79	\$ 74.78
51D-180	8" W rubber, grey. For doors that open to 180°	Finger Guard	\$ 22.79	\$ 74.78
51G-180	8" W rubber, grey. For doors that open to 180°	Finger Guard	\$ 22.79	\$ 74.78
51N-5-GY	5" Flexible Strip - EPDM Rubber	Replacement Gasket	\$ 4.49	\$ 14.78
51N-6-GY	6.5" Wide EPDM Gray	Replacement Gasket	\$ 9.87	\$ 32.38
51N-8-GY	8.5" Wide EPDM Gray	Replacement Gasket	\$ 13.95	\$ 45.84
52A	Neoprene in Aluminum Track, 1 7/16" (36.5)	Door Sweep	\$ 10.79	\$ 35.39
52N	1.64" Wide Track Seal - Neoprene	Replacement Gasket	\$ 5.50	\$ 18.06
53A	Neoprene in Aluminum Track, 3/4" (19.1)	Door Sweep	\$ 8.21	\$ 26.98
53N	1.06 Wide Track Seal - Neoprene	Replacement Gasket	\$ 4.35	\$ 14.26
55AA	Clear Anodized / Solid Insert /Adjustable Astragal	Meeting Stile	\$ 22.54	\$ 73.94
55BK	Black Anodized / Solid Insert Intumescent, Adjustable Surface Astragal	Meeting Stile	\$ 33.05	\$ 108.46
55D	Dark Bronze Anodized / Solid Insert Intumescent, Adjustable Surface Astragal	Meeting Stile	\$ 33.05	\$ 108.46
55G	Gold Anodized / Solid Insert Intumescent, Adjustable Surface Astragal	Meeting Stile	\$ 33.05	\$ 108.46
55FS-AA	Clear Anodized / Solid Insert Intumescent, Adjustable Surface Astragal	Meeting Stile	\$ 29.92	\$ 98.19
55FS-BK	Black Anodized / Solid Insert Intumescent, Adjustable Surface Astragal	Meeting Stile	\$ 37.51	\$ 123.17
55FS-D	Dark Bronze Anodized / Solid Insert Intumescent, Adjustable Surface Astragal	Meeting Stile	\$ 37.51	\$ 123.09
55FS-G	Gold Anodized / Solid Insert Intumescent, Adjustable Surface Astragal	Meeting Stile	\$ 37.51	\$ 123.17
56AA	Clear Anodized Adjustable Mortised Astragal	Meeting Stile	\$ 22.54	\$ 73.94
56BK	Black Anodized / Solid Insert Intumescent, Adjustable Mortised Astragal	Meeting Stile	\$ 33.05	\$ 108.46
56D	Dark Bronze Anodized / Solid Insert Intumescent, Adjustable Mortised Astragal	Meeting Stile	\$ 33.05	\$ 108.46
56G	Gold Anodized Adjustable Mortised Astragal	Meeting Stile	\$ 33.05	\$ 108.46
56FS-AA	Clear Anodized Intumescent Fire Stop	Meeting Stile	\$ 28.56	\$ 93.72
56FS-BK	Black Anod. Intumescent Fire Stop	Meeting Stile	\$ 38.98	\$ 127.85
56FS-D	Dark Bronze Anod. Intumescent Fire Stop	Meeting Stile	\$ 38.98	\$ 127.85
56FS-G	Gold Anodized Intumescent Fire Stop	Meeting Stile	\$ 38.98	\$ 127.85
58FS-AA	Clear Anodized Intumescent Fire Stop	Gasketing	\$ 10.97	\$ 35.96
58FS-BK	Black Intumescent Fire Stop	Gasketing	\$ 13.99	\$ 45.88
58FS-D	Dark Bronze Intumescent Fire Stop	Gasketing	\$ 13.99	\$ 45.88
58FS-G	Gold Anodized Intumescent Fire Stop	Gasketing	\$ 13.99	\$ 45.88
59FS-A	Aluminum / Intumescent / Neoprene Blade PSA	Gasketing	\$ 17.75	\$ 58.23

PART NUMBER	DESCRIPTION	TYPE	LIST PRICE PER FOOT	LIST PRICE PER METER
59N	Lip Seal for Mortise Aluminum Track	Replacement Gasket	\$ 2.61	\$ 8.59
63A	Aluminum Threshold 3" (76.2) x 1/4" (6.4)	Threshold	\$ 8.93	\$ 29.33
63BK	Black Anod. Threshold 3" (76.2) x 1/4" (6.4)	Threshold	\$ 12.34	\$ 40.47
63D	Dark Bronze Anod. Threshold 3" (76.2) x 1/4" (6.4)	Threshold	\$ 12.34	\$ 40.47
63G	Gold Threshold 3" (76.2) x 1/4" (6.4)	Threshold	\$ 12.34	\$ 40.47
64A	Aluminum Threshold 2 1/2" (63.5)	Threshold	\$ 6.43	\$ 21.09
64BK	Black Anod. Threshold 2 1/2" (63.5)	Threshold	\$ 8.92	\$ 29.26
64D	Dark Bronze Anod. Threshold 2 1/2" (63.5)	Threshold	\$ 8.92	\$ 29.26
64G	Gold Threshold 2 1/2" (63.5)	Threshold	\$ 8.92	\$ 29.26
65A	Aluminum Threshold / Silicone Stop 5" (127.0) wide 1/2" (12.7) high	Threshold	\$ 19.52	\$ 64.06
65BK	Black Anod. Threshold / Silicone Stop 5" (127.0) wide 1/2" (12.7) high	Threshold	\$ 26.89	\$ 98.86
65D	Dark Bronze Anod. Threshold / Silicone Stop 5" (127.0) wide 1/2" (12.7) high	Threshold	\$ 26.89	\$ 98.86
65G	Gold Threshold / Silicone Stop 5" (127.0) wide 1/2" (12.7) high	Threshold	\$ 26.89	\$ 98.86
65B	Bronze Threshold / Silicone Stop 5" (127.0) wide 1/2" (12.7) high	Threshold	\$ 125.54	\$ 411.88
68A**	Aluminum Threshold Rest 1/2" (12.7)	Threshold	\$ 6.67	\$ 21.89
68BK**	Black Anod. Threshold Rest 1/2" (12.7)	Threshold	\$ 9.29	\$ 30.48
68D**	Dark Bronze Anod. Threshold Rest 1/2" (12.7)	Threshold	\$ 9.29	\$ 30.48
68G**	Gold Threshold Rest 1/2" (12.7)	Threshold	\$ 9.29	\$ 30.48
68B**	Bronze Threshold Rest 1/2" (12.7)	Threshold	\$ 31.98	\$ 104.95
69A**	Aluminum Plate 1/4" (6.4) x 11/8" (28.6)	Threshold	\$ 6.43	\$ 21.09
69BK**	Black Anod. Plate 1/4" (6.4) x 11/8" (28.6)	Threshold	\$ 8.94	\$ 29.34
69D**	Dark Bronze Anod. Plate 1/4" (6.4) x 11/8" (28.6)	Threshold	\$ 8.94	\$ 29.34
69G**	Gold Plate 1/4" (6.4) x 11/8" (28.6)	Threshold	\$ 8.94	\$ 29.34
70B	Bronze Threshold 3" (76.2)	Threshold	\$ 62.64	\$ 205.53
72A	Neoprene in Aluminum Track	Door Sweep	\$ 13.15	\$ 43.17
72N	2-5/8" Wide Neoprene Strip	Replacement Gasket	\$ 7.64	\$ 25.08
73A	Aluminum 4" (10.6) / Neoprene Stop	Threshold	\$ 14.94	\$ 49.04
73BK	Black Anod. 4" (10.6) / Neoprene Stop	Threshold	\$ 20.85	\$ 68.39
73D	Dark Bronze Anod. 4" (10.6) / Neoprene Stop	Threshold	\$ 20.85	\$ 68.39
73G	Gold Anod. 4" (10.6) / Neoprene Stop	Threshold	\$ 20.85	\$ 68.39
76B	Bronze / Water Return option 3 1/2" (88.9)	Threshold	\$ 92.97	\$ 305.02
80B	Bronze 4 1/4" (108.0)	Threshold	\$ 84.87	\$ 278.51
84R-PSA	Traction Tread Neoprene with PSA, 1" (25.4) Wide x 1/4" (6.4) Thick	Threshold	\$ 6.84	\$ 22.44
93A	Aluminum 3" (76.2) Loop Neoprene	Door Sweep	\$ 17.98	\$ 59.04
93BK	Black Anod 3" (76.2) Loop Neoprene	Door Sweep	\$ 25.17	\$ 82.66
93D	Dark Bronze Anodized 3" (76.2) Loop Neoprene	Door Sweep	\$ 25.17	\$ 82.66
93G	Gold Anodized 3" (76.2) Loop Neoprene	Door Sweep	\$ 25.17	\$ 82.66
93N	3" Wide Bulb Seal-Neoprene	Replacement Gasket	\$ 2.61	\$ 8.59
95A	Aluminum / Neoprene	Gasketing	\$ 11.28	\$ 37.03
95BK	Black Anod. / Neoprene	Gasketing	\$ 15.83	\$ 51.93
95D	Dark Bronze Anod. / Neoprene	Gasketing	\$ 15.83	\$ 51.93
95G	Gold Anod. / Neoprene	Gasketing	\$ 15.83	\$ 51.93
96P	1.125" Nylon Brush	Replacement Gasket	\$ 11.66	\$ 38.28
96A	Aluminum / Brush	Door Sweep	\$ 19.39	\$ 63.60
96BK	Black Anod. / Brush	Door Sweep	\$ 27.15	\$ 90.13
96D	Dark Bronze Anod. / Brush	Door Sweep	\$ 27.15	\$ 90.13
96G	Gold Anod. / Brush	Door Sweep	\$ 27.15	\$ 90.13
98A	Aluminum / Pile	Gasketing	\$ 7.33	\$ 24.03
98A-PSA	Aluminum / Pile / PSA	Meeting Stile	\$ 7.80	\$ 25.60
98BK	Black Anodized / Brush	Gasketing	\$ 10.84	\$ 35.52
98BK-PSA	Black Anodized / Brush / PSA	Meeting Stile	\$ 11.30	\$ 37.07
98D	Dark Bronze Anodized / Brush	Gasketing	\$ 10.84	\$ 35.52
98D-PSA	Dark Bronze Anodized / Brush / PSA	Meeting Stile	\$ 11.30	\$ 37.07
98G	Gold Anodized / Brush	Gasketing	\$ 10.84	\$ 35.52
98G-PSA	Gold Anodized / Brush / PSA	Meeting Stile	\$ 11.30	\$ 37.07
99A	Aluminum / Silicone	Gasketing	\$ 7.33	\$ 24.03
99BK	Black Anodized / Silicone	Gasketing	\$ 10.90	\$ 35.76
99D	Dark Bronze Anodized / Silicone	Gasketing	\$ 10.90	\$ 35.76
99G	Gold Anodized / Silicone	Gasketing	\$ 10.90	\$ 35.76
100A	Aluminum / Silicone Lip	Gasketing	\$ 7.33	\$ 24.03

**Supplied without mounting holes.

PART NUMBER	DESCRIPTION	TYPE	LIST PRICE PER FOOT	LIST PRICE PER METER
100BK	Black Anodized / Silicone Lip	Gasketing	\$ 10.84	\$ 35.52
100D	Dark Bronze Anodized / Silicone Lip	Gasketing	\$ 10.84	\$ 35.52
100G	Gold Anodized / Silicone Lip	Gasketing	\$ 10.84	\$ 35.52
102A**	Aluminum 5 1/2" (139.7) Off Set Threshold	Threshold	\$ 15.12	\$ 49.59
102BK**	Black Anod. 5 1/2" (139.7) Off Set Threshold	Threshold	\$ 20.80	\$ 68.21
102D**	Dark Bronze Anod. 5 1/2" (139.7) Off Set Threshold	Threshold	\$ 20.80	\$ 68.21
102G**	Gold Anod. 5 1/2" (139.7) Off Set Threshold	Threshold	\$ 20.80	\$ 68.21
103A**	Aluminum 7" (177.8) Off Set Threshold	Threshold	\$ 18.44	\$ 60.53
103BK**	Black Anod. 7" (177.8) Off Set Threshold	Threshold	\$ 25.26	\$ 82.83
103D**	Dark Bronze Anod. 7" (177.8) Off Set Threshold	Threshold	\$ 25.26	\$ 82.83
103G**	Gold Anod. 7" (177.8) Off Set Threshold	Threshold	\$ 25.26	\$ 82.83
104A**	Aluminum 6" (152.4) Off Set Threshold	Threshold	\$ 17.42	\$ 57.14
104BK**	Black Anod. 6" (152.4) Off Set Threshold	Threshold	\$ 23.89	\$ 78.36
104D**	Dark Bronze Anod. 6" (152.4) Off Set Threshold	Threshold	\$ 23.89	\$ 78.36
104G**	Gold Anod. 6" (152.4) Off Set Threshold	Threshold	\$ 23.89	\$ 78.36
105A**	Aluminum Bulkhead Door Threshold 3" (76.2)	Threshold	\$ 16.68	\$ 54.70
105BK**	Black Anod. Bulkhead Door Threshold 3" (76.2)	Threshold	\$ 22.93	\$ 75.21
105D**	Dark Bronze Anod. Bulkhead Door Threshold 3" (76.2)	Threshold	\$ 22.93	\$ 75.21
105G**	Gold Anod. Bulkhead Door Threshold 3" (76.2)	Threshold	\$ 22.93	\$ 75.21
106A**	Aluminum Bulkhead Door Threshold 3/4" (19.1)	Threshold	\$ 12.23	\$ 40.06
106BK**	Black Anod. Bulkhead Door Threshold 3/4" (19.1)	Threshold	\$ 16.77	\$ 54.98
106D**	Dark Bronze Anod. Bulkhead Door Threshold 3/4" (19.1)	Threshold	\$ 16.77	\$ 54.98
106G**	Gold Anod. Bulkhead Door Threshold 3/4" (19.1)	Threshold	\$ 16.77	\$ 54.98
107B**	Bronze Bulkhead Door Threshold 1 7/8" (47.6)	Threshold	\$ 69.04	\$ 226.54
110AA	Clear Anodized Door Shoe / Pile	Door Sweep	\$ 11.51	\$ 37.75
110BK	Black Anodized Door Shoe / Pile	Door Sweep	\$ 16.05	\$ 52.64
110D	Dark Bronze Anodized Door Shoe / Pile	Door Sweep	\$ 16.05	\$ 52.64
110G	Gold Anodized Door Shoe / Pile	Door Sweep	\$ 16.05	\$ 52.64
111AA	Clear Anodized Door Shoe / Neoprene	Door Sweep	\$ 11.51	\$ 37.75
111BK	Black Anodized Door Shoe / Neoprene	Door Sweep	\$ 16.05	\$ 37.75
111D	Dark Bronze Anodized Door Shoe / Neoprene	Door Sweep	\$ 16.05	\$ 37.75
111G	Gold Anodized Door Shoe / Neoprene	Door Sweep	\$ 16.05	\$ 37.75
111FS-AA	Clear Anodized Door Shoe / Intumescent	Door Sweep	\$ 12.49	\$ 40.99
111FS-BK	Black Anodized Door Shoe / Intumescent	Door Sweep	\$ 17.60	\$ 57.75
111FS-D	Dark Bronze Anodized Door Shoe / Intumescent	Door Sweep	\$ 17.60	\$ 57.75
111FS-G	Gold Anodized Door Shoe / Intumescent	Door Sweep	\$ 17.60	\$ 57.75
117S-BK	Black Silicone Seal / Self Adhesive	Weather Stripping	\$ 1.49	\$ 4.89
118B	Cushion Bronze / Adhesive 9/16" (14.2)	Weather Stripping	\$ 2.29	\$ 7.49
119B	Cushion Bronze / Adhesive 3/4" (19.1)	Weather Stripping	\$ 2.87	\$ 9.46
119WB	Cushion Bronze / Adhesive 1 1/8" (28.6)	Weather Stripping	\$ 3.21	\$ 10.55
133	Glass Edge Protection 1/2" (12.7) PVC / Brush	Meeting Stile	\$ 9.38	\$ 30.80
134	Glass Edge Protection 1/2" (12.7) PVC / Neoprene	Meeting Stile	\$ 9.38	\$ 30.80
135	Glass Edge Protection 1/2" (12.7) PVC	Meeting Stile	\$ 5.82	\$ 19.06
136	Glass Edge Protection 3/4" (19.1) PVC	Meeting Stile	\$ 8.06	\$ 26.45
137	PVC / Pile for 1/2" (12.7) Glass Door	Meeting Stile	\$ 7.70	\$ 25.27
137P-BK-PSA	Polypropylene Pile - .270"w x .250"h, Black w/PSA	Miscellaneous	\$ 2.57	\$ 8.42
137P-GY-PSA	Polypropylene Pile - .270"w x .250"h, Grey w/PSA	Miscellaneous	\$ 2.57	\$ 8.42
137TAPE	Dual sided closed cell foam tape, white, 3/8"w x 1/32" x 216' roll.	Miscellaneous	\$ 25.05	each
138	PVC / Pile for 3/4" (19.1) Glass Door	Meeting Stile	\$ 10.01	\$ 32.84
138TAPE	Dual sided closed cell foam tape, white, 5/8"w x 1/32" x 216' roll.	Miscellaneous	\$ 36.12	each
139A	Aluminum / Neoprene	Gasketing	\$ 7.98	\$ 26.18
139BK	Black Anodized / Neoprene	Gasketing	\$ 10.74	\$ 35.25
139D	Dark Bronze Anodized / Neoprene	Gasketing	\$ 10.74	\$ 35.25
139G	Gold Anodized / Neoprene	Gasketing	\$ 10.74	\$ 35.25
139N	Neoprene 1 1/4" (31.8) x 1/8" (3.2)	Replacement Gasket	\$ 3.69	\$ 12.08
139N-PSA	Neoprene 1 1/4" (31.8) x 1/8" (3.2) with PSA	Replacement Gasket	\$ 5.89	\$ 19.34
140A	Aluminum / Neoprene	Gasketing	\$ 10.10	\$ 33.11

PART NUMBER	DESCRIPTION	TYPE	LIST PRICE PER FOOT	LIST PRICE PER METER
140BK	Black Anodized / Neoprene	Gasketing	\$ 14.07	\$ 46.14
140D	Dark Bronze Anodized / Neoprene	Gasketing	\$ 14.07	\$ 46.14
140G	Gold Anodized / Neoprene	Gasketing	\$ 14.07	\$ 46.14
141AA	Clear Anodized Extruded Rain Drip	Rain Drip	\$ 9.18	\$ 30.14
141BK	Black Anodized Extruded Rain Drip	Rain Drip	\$ 14.58	\$ 45.41
141D	Dark Bronze Anodized Extruded Rain Drip	Rain Drip	\$ 14.58	\$ 45.41
141G	Gold Anodized Extruded Rain Drip	Rain Drip	\$ 14.58	\$ 45.41
142AA	Clear Anodized Extruded Rain Drip	Rain Drip	\$ 7.88	\$ 25.87
142BK	Black Anodized Rain Drip	Rain Drip	\$ 13.29	\$ 43.62
142D	Dark Bronze Anodized Rain Drip	Rain Drip	\$ 13.29	\$ 43.62
142G	Gold Anodized Rain Drip	Rain Drip	\$ 13.29	\$ 43.62
144AA	Clear Anodized Extruded Hook / Silicone Tube	Gasketing	\$ 4.27	\$ 14.03
153A	Aluminum / Neoprene	Door Sweep	\$ 10.36	\$ 33.99
153BK	Black Anodized / Neoprene	Door Sweep	\$ 15.63	\$ 51.27
153D	Dark Bronze Anodized / Neoprene	Door Sweep	\$ 15.63	\$ 51.27
153G	Gold Anodized / Neoprene	Door Sweep	\$ 15.63	\$ 51.27
153N	Thin Neoprene - Five Finger Extrusion	Replacement Gasket	\$ 5.24	\$ 17.18
154A	Aluminum Angle Track / Pile	Door Sweep	\$ 11.85	\$ 38.83
154BK	Black Anodized Angle Track / Pile	Door Sweep	\$ 15.92	\$ 52.22
154D	Dark Bronze Anodized Angle Track / Pile	Door Sweep	\$ 15.92	\$ 52.22
154G	Gold Anodized Angle Track / Pile	Door Sweep	\$ 15.92	\$ 52.22
155AA	Clear Anodized / Pile Brush Surface Mounted, Adjustable Astragal	Meeting Stile	\$ 23.66	\$ 77.65
155BK	Black Anodized / Pile Brush Surface Mounted, Adjustable Astragal	Meeting Stile	\$ 34.70	\$ 113.89
155D	Dark Bronze Anodized / Pile Brush Surface Mounted, Adjustable Astragal	Meeting Stile	\$ 34.70	\$ 113.89
155G	Gold Anodized / Pile Brush Surface Mounted, Adjustable Astragal	Meeting Stile	\$ 34.70	\$ 113.89
156AA	Clear Anodized / Pile Brush, Mortised, Adjustable	Meeting Stile	\$ 22.54	\$ 73.94
156BK	Black Anodized / Pile Brush Mortised, Adjustable Astragal	Meeting Stile	\$ 33.05	\$ 108.46
156D	Dark Bronze Anodized / Pile Brush Mortised, Adjustable Astragal	Meeting Stile	\$ 33.05	\$ 108.46
156G	Gold Anodized / Pile Brush Mortised, Adjustable Astragal	Meeting Stile	\$ 33.05	\$ 108.46
159FS-A	Aluminum Track Intumescent Fire Stop	Meeting Stile	\$ 15.48	\$ 50.78
164A	Aluminum / Smooth Top 4" (101.6) x 1/2" (12.7)	Threshold	\$ 15.70	\$ 51.51
164BK	Black Anod. / Smooth Top 4" (101.6) x 1/2" (12.7)	Threshold	\$ 21.60	\$ 70.84
164D	Dark Bronze Anod. / Smooth Top 4" (101.6) x 1/2" (12.7)	Threshold	\$ 21.60	\$ 70.84
164G	Gold Anod. / Smooth Top 4" (101.6) x 1/2" (12.7)	Threshold	\$ 21.60	\$ 70.84
164B	Bronze / Smooth Top 4" (101.6) x 1/2" (12.7)	Threshold	\$ 59.61	\$ 195.58
168A**	Aluminum Threshold Rest 3/4" (19.1)	Threshold	\$ 11.24	\$ 36.88
168BK**	Black Anod. Threshold Rest 3/4" (19.1)	Threshold	\$ 15.54	\$ 50.97
168D**	Dark Bronze Anod. Threshold Rest 3/4" (19.1)	Threshold	\$ 15.54	\$ 50.97
168G**	Gold Anod. Threshold Rest 3/4" (19.1)	Threshold	\$ 15.54	\$ 50.97
168B**	Bronze Threshold Rest 3/4" (19.1)	Threshold	\$ 37.24	\$ 122.21
170AA*	Clear Anodized / Adjustable Sound Seal	Gasketing	\$ 24.02	\$ 78.80
170BK*	Black Anodized / Adjustable Sound Seal	Gasketing	\$ 31.78	\$ 104.25
170D*	Dark Bronze Anodized / Adjustable Sound Seal	Gasketing	\$ 31.78	\$ 104.25
170G*	Gold Anodized / Adjustable Sound Seal	Gasketing	\$ 31.78	\$ 104.25
175A	Aluminum / Water Return option 5" (127.0)	Threshold	\$ 17.91	\$ 58.77
175BK	Black Anod. / Water Return option 5" (127.0)	Threshold	\$ 24.72	\$ 81.09
175D	Dark Bronze Anod. / Water Return option 5" (127.0)	Threshold	\$ 24.72	\$ 81.09
175G	Gold Anod. / Water Return option 5" (127.0)	Threshold	\$ 24.72	\$ 81.09
175B	Bronze / Water Return option 5" (127.0)	Threshold	\$ 110.78	\$ 363.51
188BIO	Antibacterial Rubber / Brown / PSA	Weather Stripping	\$ 2.14	\$ 7.03
188FS	Intumescent/ Silicone/ PSA	Weather Stripping	\$ 3.61	\$ 11.81
188S-BK	Silicone / Black / PSA	Weather Stripping	\$ 1.95	\$ 6.41
188S-BR	Silicone / Brown / PSA	Weather Stripping	\$ 1.95	\$ 6.41

PART NUMBER	DESCRIPTION	TYPE	LIST PRICE PER FOOT	LIST PRICE PER METER
188S-CL	Silicone / Clear / PSA	Weather Stripping	\$ 1.95	\$ 6.41
188S-GY	Silicone / Grey / PSA	Weather Stripping	\$ 1.95	\$ 6.41
188S-WH	Silicone / White / PSA	Weather Stripping	\$ 1.95	\$ 6.41
221 - 226	Optional Threshold Anchors. See back cover for more information.	Fasteners	See back cover	\$ -
232A**	Aluminum Ramp 6" (152.4) 1/2" (12.7) to 1" (25.4) Ramp	Threshold	\$ 28.29	\$ 92.82
232BK**	Black Anodized Ramp 6" (152.4) 1/2" (12.7) to 1" (25.4) Ramp	Threshold	\$ 37.39	\$ 122.63
232D**	Dark Bronze Anodized Ramp 6" (152.4) 1/2" (12.7) to 1" (25.4) Ramp	Threshold	\$ 37.39	\$ 122.63
232G**	Gold Anodized Ramp 6" (152.4) 1/2" (12.7) to 1" (25.4) Ramp	Threshold	\$ 37.39	\$ 122.63
233A**	Aluminum Ramp 3" (76.2)	Threshold	\$ 12.90	\$ 42.29
233BK**	Black Anodized Ramp 3" (76.2)	Threshold	\$ 18.05	\$ 59.20
233D**	Dark Bronze Anodized Ramp 3" (76.2)	Threshold	\$ 18.05	\$ 59.20
233G**	Gold Anodized Ramp 3" (76.2)	Threshold	\$ 18.05	\$ 59.20
234A**	Aluminum Ramp 3" (76.2) 1/4" (6.4) to 1/2" (12.7) Ramp	Threshold	\$ 12.90	\$ 42.29
234BK**	Black Anod. Ramp 3" (76.2), 0 to 1/4" (6.4) Ramp	Threshold	\$ 18.05	\$ 59.20
234D**	Dark Bronze Anod. Ramp 3" (76.2) 0 to 1/4" (6.4) to 1/2" (12.7) Ramp	Threshold	\$ 18.05	\$ 59.20
234G**	Gold Anod. Ramp 3" (76.2), 0 to 1/4" (6.4) Ramp	Threshold	\$ 18.05	\$ 59.20
235A**	Aluminum Ramp 3" (76.2), 0 to 1/4" (6.4) Ramp	Threshold	\$ 12.90	\$ 42.29
235BK**	Black Anod. Ramp 3" (76.2), 0 to 1/4" (6.4) Ramp	Threshold	\$ 18.05	\$ 59.20
235D**	Dark Bronze Anod. Ramp 3" (76.2) 0 to 1/4" (6.4) to 1/2" (12.7) Ramp	Threshold	\$ 18.05	\$ 59.20
235G**	Gold Anod. Ramp 3" (76.2), 0 to 1/4" (6.4) Ramp	Threshold	\$ 18.05	\$ 59.20
236A**	Aluminum Ramp 6" (152.4)	Threshold	\$ 17.07	\$ 56.03
236BK**	Black Anod. Ramp 6" (152.4)	Threshold	\$ 23.88	\$ 78.32
236D**	Dark Bronze Anod. Ramp 6" (152.4)	Threshold	\$ 23.88	\$ 78.32
236G**	Gold Anod. Ramp 6" (152.4)	Threshold	\$ 23.88	\$ 78.32
237A**	Aluminum Ramp 3 1/2" (88.9), 1/4" to 1/2"	Threshold	\$ 18.76	\$ 61.52
237BK**	Black Anod. Ramp 3 1/2" (88.9), 1/4" to 1/2"	Threshold	\$ 25.56	\$ 83.86
237D**	Dark Bronze Anod. Ramp 3 1/2" (88.9), 1/4" to 1/2"	Threshold	\$ 25.56	\$ 83.86
237G**	Gold Anod. Ramp 3 1/2" (88.9), 1/4" to 1/2"	Threshold	\$ 25.56	\$ 83.86
238A**	Aluminum Ramp 3 1/2" (88.9), 1/4" to 3/4"	Threshold	\$ 18.76	\$ 61.52
238BK**	Black Anod. Ramp 3 1/2" (88.9), 1/4" to 3/4"	Threshold	\$ 25.56	\$ 83.86
238D**	Dark Bronze Anod. Ramp 3 1/2" (88.9), 1/4" to 3/4"	Threshold	\$ 25.56	\$ 83.86
238G**	Gold Anod. Ramp 3 1/2" (88.9), 1/4" to 3/4"	Threshold	\$ 25.56	\$ 83.86
253A	Aluminum / Neoprene Insert / Mortised	Door Sweep	\$ 6.18	\$ 20.27
253FS-A	Aluminum / Intumescent Fire Stop / Mortised	Door Sweep	\$ 18.24	\$ 59.85
254A	Aluminum Track / Pile Insert / Mortised	Door Sweep	\$ 6.65	\$ 21.83
254P-GY	.875" wide Poly Pile	Replacement Gasket	\$ 5.39	\$ 17.71
255AA	Clear Anodized / Adjustable Surface Sweep with Spring / Pile Insert	Door Sweep	\$ 22.12	\$ 72.60
255BK	Black Anodized / Adjustable Surface Sweep with Spring / Pile Insert	Door Sweep	\$ 31.96	\$ 104.88
255D	Dark Bronze Anodized / Adjustable Surface Sweep with Spring / Pile Insert	Door Sweep	\$ 31.96	\$ 104.88
255G	Gold Anodized / Adjustable Surface Sweep with Spring / Pile Insert	Door Sweep	\$ 31.96	\$ 104.88
259R**	Rubber ramp 6" (152.4) x 1/2" (12.7)	Threshold	\$ 31.11	\$ 102.06
265A	Aluminum 5" (127.0) / Neoprene Stop	Threshold	\$ 17.74	\$ 58.20
265BK	Black Anod. 5" (127.0) / Neoprene Stop	Threshold	\$ 24.44	\$ 80.18
265D	Dark Bronze Anod. 5" (127.0) / Neoprene Stop	Threshold	\$ 24.44	\$ 80.18
265G	Gold Anod. 5" (127.0) / Neoprene Stop	Threshold	\$ 24.44	\$ 80.18
267A	Aluminum 2.155" (54.7) / Neoprene Stop	Threshold	\$ 14.32	\$ 46.99
267BK	Black Anod. 2.155" (54.7) / Neoprene Stop	Threshold	\$ 19.99	\$ 65.59
267D	Dark Bronze Anod. 2.155" (54.7) / Neoprene Stop	Threshold	\$ 19.99	\$ 65.59
267G	Gold Anod. 2.155" (54.7) / Neoprene Stop	Threshold	\$ 19.99	\$ 65.59

*Comes standard with mitered corners when ordered a set. If ordering mitered corners as a stick, please specify handing. If non-mitered corners is wanted, please specify and order as an individual stick length.
**Supplied without mounting holes.



PART NUMBER	DESCRIPTION	TYPE	LIST PRICE PER FOOT	LIST PRICE PER METER
268A**	Aluminum Threshold Rest 3/8" (9.5)	Threshold	\$ 5.85	\$ 19.18
268BK**	Black Anod. Threshold Rest 3/8" (9.5)	Threshold	\$ 8.13	\$ 26.64
268D**	Dark Bronze Anod. Threshold Rest 3/8" (9.5)	Threshold	\$ 8.13	\$ 26.64
268G**	Gold Anod. Threshold Rest 3/8" (9.5)	Threshold	\$ 8.13	\$ 26.64
268B**	Bronze Threshold Rest 3/8" (9.5)	Threshold	\$ 29.08	\$ 95.40
269A**	1/2" Aluminum Assembly Connector	Threshold	\$ 7.15	\$ 23.47
270A	Aluminum Door Stop / Neoprene	Gasketing	\$ 10.40	\$ 34.12
270BK	Black Anodized Door Stop / Neoprene	Gasketing	\$ 14.37	\$ 47.50
270D	Dark Bronze Anodized Door Stop / Neoprene	Gasketing	\$ 14.37	\$ 47.50
270G	Gold Anodized Door Stop / Neoprene	Gasketing	\$ 14.37	\$ 47.50
272A	Aluminum Door Stop / Neoprene	Gasketing	\$ 10.40	\$ 34.12
272BK	Black Anodized Door Stop / Neoprene	Gasketing	\$ 14.37	\$ 47.50
272D	Dark Bronze Anodized Door Stop / Neoprene	Gasketing	\$ 14.37	\$ 47.50
272G	Gold Anodized Door Stop / Neoprene	Gasketing	\$ 14.37	\$ 47.50
302FS-AA	Clear Anodized/ Neoprene/ Intumet Fire Stop	Gasketing	\$ 9.63	\$ 31.60
302FS-B	Bronze / Neoprene Intumescent Fire Stop	Gasketing	\$ 26.03	\$ 85.45
302FS-BK	Black Anodized / Neoprene / Intumet Fire Stop	Gasketing	\$ 12.71	\$ 41.67
302FS-D	Dark Bronze Anodized / Neoprene / Intumet Fire Stop	Gasketing	\$ 12.71	\$ 41.67
302FS-G	Gold Anodized / Neoprene Intumescent Fire Stop	Gasketing	\$ 12.71	\$ 41.67
304A	Aluminum Butt Threshold 1 1/2" (38.1) wide	Threshold	\$ 7.33	\$ 24.04
304BK	Black Anod. Butt Threshold 1 1/2" (38.1) wide	Threshold	\$ 10.17	\$ 33.34
304D	Dark Bronze Anod. Butt Threshold 1 1/2" (38.1) wide	Threshold	\$ 10.17	\$ 33.34
304G	Gold Anod. Butt Threshold 1 1/2" (38.1) wide	Threshold	\$ 10.17	\$ 33.34
304D	Dark Bronze Anodized Butt Threshold 1 1/2" (38.1) wide	Threshold	\$ 10.17	\$ 33.34
304G	Gold Anodized Butt Threshold 1 1/2" (38.1) wide	Threshold	\$ 10.17	\$ 33.34
312A	Aluminum / Neoprene	Gasketing	\$ 5.62	\$ 18.43
312BK	Black Anodized/ Neoprene	Gasketing	\$ 7.90	\$ 25.89
312D	Dark Bronze Anodized/ Neoprene	Gasketing	\$ 7.90	\$ 25.89
312G	Gold Anodized/ Neoprene	Gasketing	\$ 7.90	\$ 25.89
312N	Neoprene, 3/16" (4.7) x 1/2" (12.7)	Replacement Gasket	\$ 1.52	\$ 5.00
312N-PSA	Neoprene with PSA 3/16" (4.7) x 1/2" (12.7)	Gasketing	\$ 1.80	\$ 5.92
314AA	Clear Anodized / Neoprene	Gasketing	\$ 8.91	\$ 29.26
314B	Bronze / Neoprene	Gasketing	\$ 22.55	\$ 74.02
314BK	Black Anodized / Neoprene	Gasketing	\$ 10.23	\$ 33.54
314D	Dark Bronze Anodized / Neoprene	Gasketing	\$ 10.23	\$ 33.54
314G	Gold Anodized / Neoprene	Gasketing	\$ 10.23	\$ 33.54
314N	.75"X.125" Closed Cell Sponge Neoprene - Rectangular Extrusion	Replacement Gasket	\$ 2.40	\$ 7.91
314N-PSA	.75"X.125" Closed Cell Sponge Neoprene - Rectangular Extrusion W/PSA	Replacement Gasket	\$ 3.99	\$ 13.13
318AA	Clear Anodized / Neoprene	Gasketing	\$ 10.50	\$ 34.40
318BK	Black Anodized / Neoprene	Gasketing	\$ 11.67	\$ 38.31
318D	Dark Bronze Anodized / Neoprene	Gasketing	\$ 11.67	\$ 38.31
318G	Gold Anodized / Neoprene	Gasketing	\$ 11.67	\$ 38.31
318N	Closed Cell Sponge Neoprene Black 3/8" (9.5) x 3/4" (19.1)	Gasketing	\$ 3.33	\$ 10.94
318N-PSA	Closed Cell Sponge Neoprene Black 3/8" (9.5) x 3/4" (19.1) with PSA	Replacement Gasket	\$ 5.72	\$ 18.77
320AA	Aluminum / Lite Duty Mortised Automatic Door Bottom	10"-18" (305-457) 18 1/8"-36" (460-914) 36 1/8"-48" (917-1219) 48 1/8"-54" (1222-1371) 54 1/8"-60" (1375-1524)	\$ 61.02 \$ 50.84 \$ 54.19 \$ 67.73 \$ 84.00	each each each each each
320N	.406" Wide Split Bulb Seal - Neoprene	Replacement Gasket	\$ 4.25	\$ 13.98

PART NUMBER	DESCRIPTION	TYPE	LIST PRICE PER FOOT	LIST PRICE PER METER
321AA	Clear Anodized / Lite Duty Mortised Automatic Door Bottom	10"-18" (305-457) 18 1/8"-36" (460-914) 36 1/8"-48" (917-1219) 48 1/8"-54" (1222-1371) 54 1/8"-60" (1375-1524)	\$ 67.48 \$ 57.44 \$ 73.95 \$ 92.58 \$ 115.70	each each each each each
321BK	Black Anodized / Lite Duty Mortised Automatic Door Bottom	10"-18" (305-457) 18 1/8"-36" (460-914) 36 1/8"-48" (917-1219) 48 1/8"-54" (1222-1371) 54 1/8"-60" (1375-1524)	\$ 82.63 \$ 68.86 \$ 95.22 \$ 119.00 \$ 148.74	each each each each each
321D	Dark Bronze Anodized / Lite Duty Mortised Automatic Door Bottom	10"-18" (305-457) 18 1/8"-36" (460-914) 36 1/8"-48" (917-1219) 48 1/8"-54" (1222-1371) 54 1/8"-60" (1375-1524)	\$ 82.63 \$ 68.86 \$ 95.22 \$ 119.00 \$ 148.74	each each each each each
321G	Gold Anodized / Lite Duty Mortised Automatic Door Bottom	10"-18" (305-457) 18 1/8"-36" (460-914) 36 1/8"-48" (917-1219) 48 1/8"-54" (1222-1371) 54 1/8"-60" (1375-1524)	\$ 82.63 \$ 68.86 \$ 95.22 \$ 119.00 \$ 148.74	each each each each each
322A	Aluminum with neoprene	Gasketing	\$ 10.50	\$ 34.40
322BK	Black Anodizing with neoprene	Gasketing	\$ 14.70	\$ 34.40
322D	Dark Bronze Anodizing with neoprene	Gasketing	\$ 14.70	\$ 34.40
322G	Gold Anodizing with neoprene	Gasketing	\$ 14.70	\$ 34.40
323AA	Aluminum / Mortised, Automatic Door Bottom Handed	10"-18" (305-457) 18 1/8"-36" (460-914) 36 1/8"-48" (917-1219) 48 1/8"-54" (1222-1371) 54 1/8"-60" (1375-1524)	\$ 59.53 \$ 49.62 \$ 52.87 \$ 66.08 \$ 82.58	each each each each each
326AA	Clear Anodized / Neoprene	Gasketing	\$ 9.61	\$ 31.55
326B	Bronze / Neoprene	Gasketing	\$ 24.57	\$ 80.60
326BK	Black Anodized / Neoprene	Gasketing	\$ 12.96	\$ 42.51
326D	Dark Bronze Anodized / Neoprene	Gasketing	\$ 12.96	\$ 42.51
326G	Gold Anodized/ Neoprene	Gasketing	\$ 12.96	\$ 42.51
326N	1.006" Wide Dual Bulb and Lip Seal - Neoprene	Replacement Gasket	\$ 5.19	\$ 17.03
328AA	Clear Anodized/ Neoprene	Gasketing	\$ 9.30	\$ 30.54
328B	Bronze / Neoprene	Gasketing	\$ 22.55	\$ 74.02
328BK	Black Anodized / Neoprene	Gasketing	\$ 12.56	\$ 41.24
328D	Dark Bronze Anodized / Neoprene	Gasketing	\$ 12.56	\$ 41.24
328G	Gold Anodized / Neoprene	Gasketing	\$ 12.56	\$ 41.24
328FS-AA	Clear Anodized / Neoprene Intumescent Fire Stop	Gasketing	\$ 13.72	\$ 45.02
328FS-BK	Black Anodized / Neoprene Intumescent Fire Stop	Gasketing	\$ 18.18	\$ 59.66
328FS-D	Dark Bronze Anodized / Neoprene Intumescent Fire Stop	Gasketing	\$ 18.18	\$ 59.66
328FS-G	Gold Anodized / Neoprene Intumescent Fire Stop	Gasketing	\$ 18.18	\$ 59.66
328N	7/8" Wide Neoprene Insert	Replacement Gasket	\$ 4.53	\$ 14.83
328SPB	Steel Prime Closer/Coordinator Plate Bracket	General	\$ 31.31	Each
329AA	Clear Anodized w/ Beveled Neoprene	Gasketing	\$ 7.51	\$ 24.63
329B	Bronze with Beveled Neoprene	Gasketing	\$ 20.79	\$ 68.20
329BK	Black Anod. / Beveled Neoprene	Gasketing	\$ 11.60	\$ 38.03
329D	Dark Bronze Anod. / Beveled Neoprene	Gasketing	\$ 11.60	\$ 38.03
329G	Gold Anodized / Beveled Neoprene	Gasketing	\$ 11.60	\$ 38.03
339AA	Clear Anodized / Neoprene	Gasketing	\$ 8.28	\$ 27.19
339B	Bronze / Neoprene	Gasketing	\$ 22.55	\$ 74.02
339BK	Black Anodized / Neoprene	Gasketing	\$ 12.72	\$ 41.70
339D	Dark Bronze Anodized / Neoprene	Gasketing	\$ 12.72	\$ 41.70
339G	Gold Anodized / Neoprene	Gasketing	\$ 12.72	\$ 41.70
339FS-AA	Clear Anodized / Neoprene/ Intumet	Door Sweep	\$ 13.72	\$ 45.02
339FS-BK	Black Anod./Neoprene/ Intumet	Door Sweep	\$ 17.87	\$ 58.63
339FS-D	Dark Bronze Anod./Neoprene/ Intumet	Door Sweep	\$ 17.87	\$ 58.63
339FS-G	Gold Anod./Neoprene/ Intumet	Door Sweep	\$ 17.87	\$ 58.63
339WAA	Clear Anodized / Neoprene	Gasketing	\$ 11.36	\$ 37.24
339WB	Bronze / Neoprene	Gasketing	\$ 23.56	\$ 77.30
339WBK	Black Anodized / Neoprene	Gasketing	\$ 15.13	\$ 49.63
339WD	Dark Bronze Anodized / Neoprene	Gasketing	\$ 15.13	\$ 49.63

PART NUMBER	DESCRIPTION	TYPE	LIST PRICE PER FOOT	LIST PRICE PER METER
339WG	Gold Anodized / Neoprene	Gasketing	\$ 15.13	\$ 49.63
350AA	Clear Anodized / Mortised Automatic Door Bottom	10"-18" (305-457) 18 1/8"-36" (460-914) 36 1/8"-48" (917-1219) 48 1/8"-54" (1222-1371) 54 1/8"-60" (1375-1524)	\$ 79.22 \$ 59.89 \$ 63.81 \$ 79.71 \$ 99.72	each each each each each
350AA-LS	Clear Anodized / Mortised Automatic Door Bottom / Light Spring - Low Force	10"-18" (305-457) 18 1/8"-36" (460-914) 36 1/8"-48" (917-1219)	\$ 84.66 \$ 67.68 \$ 71.73	each each each
351AA	Clear Anodized Automatic Door Bottom	10"-18" (305-457) 18 1/8"-36" (460-914) 36 1/8"-48" (917-1219) 48 1/8"-54" (1222-1371) 54 1/8"-60" (1375-1524)	\$ 90.58 \$ 72.46 \$ 87.05 \$ 108.86 \$ 136.09	each each each each each
351AA-LS	Clear Anodized Automatic Door Bottom / Light Spring - Low Force	10"-18" (305-457) 18 1/8"-36" (460-914) 36 1/8"-48" (917-1219)	\$ 98.07 \$ 78.48 \$ 93.06	each each each
351BK	Black Anodized Automatics Door Bottom	10"-18" (305-457) 18 1/8"-36" (460-914) 36 1/8"-48" (917-1219) 48 1/8"-54" (1222-1371) 54 1/8"-60" (1375-1524)	\$ 101.30 \$ 81.02 \$ 111.97 \$ 139.99 \$ 175.00	each each each each each
351BK-LS	Black Anodized Automatic Door Bottom - Light Spring - Low Force	10"-18" (305-457) 18 1/8"-36" (460-914) 36 1/8"-48" (917-1219)	\$ 109.02 \$ 87.19 \$ 118.37	each each each
351D	Dark Bronze Anodized Automatics Door Bottom	10"-18" (305-457) 18 1/8"-36" (460-914) 36 1/8"-48" (917-1219) 48 1/8"-54" (1222-1371) 54 1/8"-60" (1375-1524)	\$ 101.30 \$ 81.02 \$ 111.97 \$ 139.99 \$ 175.00	each each each each each
351D-LS	Dark Bronze Anodized Automatic Door Bottom - Light Spring - Low Force	10"-18" (305-457) 18 1/8"-36" (460-914) 36 1/8"-48" (917-1219)	\$ 109.02 \$ 87.19 \$ 118.37	each each each
351G	Gold Anodized Automatics Door Bottom	10"-18" (305-457) 18 1/8"-36" (460-914) 36 1/8"-48" (917-1219) 48 1/8"-54" (1222-1371) 54 1/8"-60" (1375-1524)	\$ 101.30 \$ 81.02 \$ 111.97 \$ 139.99 \$ 175.00	each each each each each
351G-LS	Gold Anodized Automatic Door Bottom - Light Spring - Low Force	10"-18" (305-457) 18 1/8"-36" (460-914) 36 1/8"-48" (917-1219)	\$ 109.02 \$ 87.19 \$ 118.37	each each each
351S-BK	.433" Wide Silicone Extrusion	Replacement Gasket	\$ 4.62	\$ 15.17
352AA	Clear Anodized Automatic Door Bottom	10"-18" (305-457) 18 1/8"-36" (460-914) 36 1/8"-48" (917-1219) 48 1/8"-54" (1222-1371) 54 1/8"-60" (1375-1524)	\$ 90.58 \$ 72.46 \$ 87.05 \$ 108.86 \$ 136.09	each each each each each
352AA-LS	Clear Anodized Automatic Door Bottom / Light Spring - Low Force	10"-18" (305-457) 18 1/8"-36" (460-914) 36 1/8"-48" (917-1219)	\$ 98.07 \$ 78.48 \$ 93.06	each each each
352BK	Black Anodized Automatic Door Bottom	10"-18" (305-457) 18 1/8"-36" (460-914) 36 1/8"-48" (917-1219) 48 1/8"-54" (1222-1371) 54 1/8"-60" (1375-1524)	\$ 101.30 \$ 81.02 \$ 111.97 \$ 139.99 \$ 175.00	each each each each each
352BK-LS	Black Anodized Automatic Door Bottom - Light Spring - Low Force	10"-18" (305-457) 18 1/8"-36" (460-914) 36 1/8"-48" (917-1219)	\$ 109.02 \$ 87.19 \$ 118.37	each each each
352D	Dark Bronze Anodized Automatic Door Bottom	10"-18" (305-457) 18 1/8"-36" (460-914) 36 1/8"-48" (917-1219) 48 1/8"-54" (1222-1371) 54 1/8"-60" (1375-1524)	\$ 101.30 \$ 81.02 \$ 111.97 \$ 139.99 \$ 175.00	each each each each each
352D-LS	Dark Bronze Anodized Automatic Door Bottom - Light Spring - Low Force	10"-18" (305-457) 18 1/8"-36" (460-914) 36 1/8"-48" (917-1219)	\$ 109.02 \$ 87.19 \$ 118.37	each each each
352G	Gold Anodized Automatic Door Bottom	10"-18" (305-457) 18 1/8"-36" (460-914) 36 1/8"-48" (917-1219) 48 1/8"-54" (1222-1371) 54 1/8"-60" (1375-1524)	\$ 101.30 \$ 81.02 \$ 111.97 \$ 139.99 \$ 175.00	each each each each each

PART NUMBER	DESCRIPTION	TYPE	LIST PRICE PER FOOT	LIST PRICE PER METER
352G-LS	Gold Anodized Automatic Door Bottom - Light Spring - Low Force	10"-18" (305-457) 18 1/8"-36" (460-914) 36 1/8"-48" (917-1219)	\$ 109.02 \$ 87.19 \$ 118.37	each each each
355AA	Aluminum / Mortised Automatic Door Bottom Regular Duty	10"-36" (254-914) 36 1/8"-48" (917-1219) 48 1/8"-54" (1222-1371)	\$ 60.05 \$ 68.05 \$ 83.42	each each each
360AA	Clear Anodized / Mortised Automatic Door Bottom Heavy Duty	10"-18" (305-457) 18 1/8"-36" (460-914) 36 1/8"-48" (917-1219) 48 1/8"-54" (1222-1371) 54 1/8"-60" (1375-1524)	\$ 109.25 \$ 87.37 \$ 99.14 \$ 123.99 \$ 159.88	each each each each each
361AA	Clear Anodized Automatic Door Bottom/Heavy Duty	10"-18" (305-457) 18 1/8"-36" (460-914) 36 1/8"-48" (917-1219) 48 1/8"-54" (1222-1371) 54 1/8"-60" (1375-1524)	\$ 128.07 \$ 101.07 \$ 112.06 \$ 140.10 \$ 175.14	each each each each each
361BK	Black Anodized Automatic Door Bottom/Heavy Duty	10"-18" (305-457) 18 1/8"-36" (460-914) 36 1/8"-48" (917-1219) 48 1/8"-54" (1222-1371) 54 1/8"-60" (1375-1524)	\$ 169.86 \$ 135.87 \$ 142.03 \$ 177.55 \$ 221.93	each each each each each
361D	Dark Bronze Anodized Automatic Door Bottom/Heavy Duty	10"-18" (305-457) 18 1/8"-36" (460-914) 36 1/8"-48" (917-1219) 48 1/8"-54" (1222-1371) 54 1/8"-60" (1375-1524)	\$ 169.86 \$ 135.87 \$ 142.03 \$ 177.55 \$ 221.93	each each each each each
361G	Gold Anodized Automatic Door Bottom/Heavy Duty	10"-18" (305-457) 18 1/8"-36" (460-914) 36 1/8"-48" (917-1219) 48 1/8"-54" (1222-1371) 54 1/8"-60" (1375-1524)	\$ 169.86 \$ 135.87 \$ 142.03 \$ 177.55 \$ 221.93	each each each each each
362AA	Clear Anodized Automatic Door Bottom/Heavy Duty	10"-18" (305-457) 18 1/8"-36" (460-914) 36 1/8"-48" (917-1219) 48 1/8"-54" (1222-1371) 54 1/8"-60" (1375-1524)	\$ 128.07 \$ 101.07 \$ 112.06 \$ 140.10 \$ 175.14	each each each each each
362BK	Black Anodized Automatic Door Bottom/Heavy Duty	10"-18" (305-457) 18 1/8"-36" (460-914) 36 1/8"-48" (917-1219) 48 1/8"-54" (1222-1371) 54 1/8"-60" (1375-1524)	\$ 169.86 \$ 135.87 \$ 142.03 \$ 177.55 \$ 221.93	each each each each each
362D	Dark Bronze Anodized Automatic Door Bottom/Heavy Duty	10"-18" (305-457) 18 1/8"-36" (460-914) 36 1/8"-48" (917-1219) 48 1/8"-54" (1222-1371) 54 1/8"-60" (1375-1524)	\$ 169.86 \$ 135.87 \$ 142.03 \$ 177.55 \$ 221.93	each each each each each
362G	Gold Anodized Automatic Door Bottom/Heavy Duty	10"-18" (305-457) 18 1/8"-36" (460-914) 36 1/8"-48" (917-1219) 48 1/8"-54" (1222-1371) 54 1/8"-60" (1375-1524)	\$ 169.86 \$ 135.87 \$ 142.03 \$ 177.55 \$ 221.93	each each each each each
363N	.656" Wide Sponge Neoprene	Replacement Gasket	\$ 5.40	\$ 17.72
364AA	Clear Anodized / Mortised Automatic Door Bottom/Heavy Duty	10"-18" (305-457) 18 1/8"-36" (460-914) 36 1/8"-48" (917-1219) 48 1/8"-54" (1222-1371) 54 1/8"-60" (1375-1524)	\$ 111.72 \$ 89.32 \$ 101.10 \$ 126.44 \$ 158.04	each each each each each
364FS-AA	Clear Anodized / Mortised Automatic Door Bottom/Heavy Duty/Intumescent	18 1/8"-36" (460-914) 36 1/8"-48" (917-1219) 48 1/8"-54" (1222-1371) 54 1/8"-60" (1375-1524)	\$ 126.88 \$ 149.92 \$ 221.21 \$ 265.24	each each each each
364AA-LS	Clear Anodized / Mortised Automatic Door Bottom / Light Spring - Low Force	10"-18" (305-457) 18 1/8"-36" (460-914) 36 1/8"-48" (917-1219)	\$ 127.16 \$ 101.69 \$ 114.29	each each each
365AA	Clear Anodized/Automatic Door Bottom / Heavy Duty	10"-18" (305-457) 18 1/8"-36" (460-914) 36 1/8"-48" (917-1219) 48 1/8"-54" (1222-1371) 54 1/8"-60" (1375-1524)	\$ 131.39 \$ 105.08 \$ 122.08 \$ 152.62 \$ 190.75	each each each each each

PART NUMBER	DESCRIPTION	TYPE	LIST PRICE PER FOOT	LIST PRICE PER METER		
365BK	Black Anodized/Automatic Door Bottom / Heavy Duty	10"-18" (305-457)	\$ 175.00	each		
		18 1/8"-36" (460-914)	\$ 139.99	each		
		36 1/8"-48" (917-1219)	\$ 142.03	each		
		48 1/8"-54" (1222-1371)	\$ 177.55	each		
		54 1/8"-60" (1375-1524)	\$ 221.93	each		
365D	Dark Bronze Anodized/Automatic Door Bottom / Heavy Duty	10"-18" (305-457)	\$ 175.00	each		
		18 1/8"-36" (460-914)	\$ 139.99	each		
		36 1/8"-48" (917-1219)	\$ 142.03	each		
		48 1/8"-54" (1222-1371)	\$ 177.55	each		
		54 1/8"-60" (1375-1524)	\$ 221.93	each		
365G	Gold Anodized/Automatic Door Bottom / Heavy Duty	10"-18" (305-457)	\$ 175.00	each		
		18 1/8"-36" (460-914)	\$ 139.99	each		
		36 1/8"-48" (917-1219)	\$ 142.03	each		
		48 1/8"-54" (1222-1371)	\$ 177.55	each		
		54 1/8"-60" (1375-1524)	\$ 221.93	each		
365FS-AA	Clear Anodized/Automatic Door Bottom/Heavy Duty/Intumescent	18 1/8"-36" (460-914)	\$ 141.52	each		
		36 1/8"-48" (917-1219)	\$ 169.83	each		
		48 1/8"-54" (1222-1371)	\$ 252.24	each		
		54 1/8"-60" (1375-1524)	\$ 302.66	each		
		365FS-BK	Black Anodized/Automatic Door Bottom/Heavy Duty/Intumescent	18 1/8"-36" (460-914)	\$ 178.80	each
36 1/8"-48" (917-1219)	\$ 191.69			each		
48 1/8"-54" (1222-1371)	\$ 286.03			each		
54 1/8"-60" (1375-1524)	\$ 343.23			each		
365FS-D	Dark Bronze Anodized/Automatic Door Bottom/Heavy Duty/Intumescent			18 1/8"-36" (460-914)	\$ 178.80	each
		36 1/8"-48" (917-1219)	\$ 191.69	each		
		48 1/8"-54" (1222-1371)	\$ 286.03	each		
		54 1/8"-60" (1375-1524)	\$ 343.23	each		
		365FS-G	Gold Anodized/Automatic Door Bottom/Heavy Duty/Intumescent	18 1/8"-36" (460-914)	\$ 178.80	each
36 1/8"-48" (917-1219)	\$ 191.69			each		
48 1/8"-54" (1222-1371)	\$ 286.03			each		
54 1/8"-60" (1375-1524)	\$ 343.23			each		
365AA-LS	Clear Anodized/Automatic Door Bottom/Light Spring-Low Force			10"-18" (305-457)	\$ 138.80	each
		18 1/8"-36" (460-914)	\$ 111.08	each		
		36 1/8"-48" (917-1219)	\$ 128.09	each		
		365BK-LS	Black Anodized/Automatic Door Bottom/Light Spring-Low Force	10"-18" (305-457)	\$ 182.70	each
				18 1/8"-36" (460-914)	\$ 146.17	each
36 1/8"-48" (917-1219)	\$ 148.93			each		
365D-LS	Dark Bronze Anodized/Automatic Door Bottom/Light Spring-Low Force			10"-18" (305-457)	\$ 182.70	each
				18 1/8"-36" (460-914)	\$ 146.17	each
		36 1/8"-48" (917-1219)	\$ 148.24	each		
		365N	.735" Wide Bulb Seal - Neoprene Replacement Gasket	10"-18" (305-457)	\$ 5.99	\$ 19.65
				365G-LS	Gold Anodized/Automatic Door Bottom/Light Spring-Low Force	10"-18" (305-457)
18 1/8"-36" (460-914)	\$ 146.17					each
36 1/8"-48" (917-1219)	\$ 148.24					each
366AA	Clear Anodized/Automatic Door Bottom / Heavy Duty					10"-18" (305-457)
		18 1/8"-36" (460-914)	\$ 105.08			each
		36 1/8"-48" (917-1219)	\$ 122.08	each		
		48 1/8"-54" (1222-1371)	\$ 152.62	each		
		54 1/8"-60" (1375-1524)	\$ 190.75	each		
366BK	Black Anodized/Automatic Door Bottom / Heavy Duty	10"-18" (305-457)	\$ 175.00	each		
		18 1/8"-36" (460-914)	\$ 139.99	each		
		36 1/8"-48" (917-1219)	\$ 142.03	each		
		48 1/8"-54" (1222-1371)	\$ 177.55	each		
		54 1/8"-60" (1375-1524)	\$ 221.93	each		
366D	Dark Bronze Anodized/Automatic Door Bottom / Heavy Duty	10"-18" (305-457)	\$ 175.00	each		
		18 1/8"-36" (460-914)	\$ 139.99	each		
		36 1/8"-48" (917-1219)	\$ 142.03	each		
		48 1/8"-54" (1222-1371)	\$ 177.55	each		
		54 1/8"-60" (1375-1524)	\$ 221.93	each		
366G	Gold Anodized/Automatic Door Bottom / Heavy Duty	10"-18" (305-457)	\$ 175.00	each		
		18 1/8"-36" (460-914)	\$ 139.99	each		
		36 1/8"-48" (917-1219)	\$ 142.03	each		
		48 1/8"-54" (1222-1371)	\$ 177.55	each		
		54 1/8"-60" (1375-1524)	\$ 221.93	each		
366FS-AA	Anodized/Automatic Door Bottom/Heavy Duty/Intumescent	18 1/8"-36" (460-914)	\$ 141.52	each		
		36 1/8"-48" (917-1219)	\$ 169.83	each		
		48 1/8"-54" (1222-1371)	\$ 252.24	each		
		54 1/8"-60" (1375-1524)	\$ 302.66	each		

PART NUMBER	DESCRIPTION	TYPE	LIST PRICE PER FOOT	LIST PRICE PER METER						
366FS-BK	Black Anodized/Automatic Door Bottom/Heavy Duty/Intumescent	18 1/8"-36" (460-914)	\$ 178.80	each						
		36 1/8"-48" (917-1219)	\$ 191.69	each						
		48 1/8"-54" (1222-1371)	\$ 286.03	each						
		54 1/8"-60" (1375-1524)	\$ 343.23	each						
		366FS-D	Dark Bronze Anodized/Automatic Door Bottom/Heavy Duty/Intumescent	18 1/8"-36" (460-914)	\$ 178.80	each				
36 1/8"-48" (917-1219)	\$ 191.69			each						
48 1/8"-54" (1222-1371)	\$ 286.03			each						
54 1/8"-60" (1375-1524)	\$ 343.23			each						
366FS-G	Gold Anodized/Automatic Door Bottom/Heavy Duty/Intumescent			18 1/8"-36" (460-914)	\$ 178.80	each				
		36 1/8"-48" (917-1219)	\$ 191.69	each						
		48 1/8"-54" (1222-1371)	\$ 286.03	each						
		54 1/8"-60" (1375-1524)	\$ 343.23	each						
		366AA-LS	Clear Anodized/Automatic Door Bottom/Light Spring-Low Force	10"-18" (305-457)	\$ 138.80	each				
18 1/8"-36" (460-914)	\$ 111.08			each						
36 1/8"-48" (917-1219)	\$ 128.09			each						
366BK-LS	Black Anodized/Automatic Door Bottom/Light Spring-Low Force			10"-18" (305-457)	\$ 182.70	each				
				18 1/8"-36" (460-914)	\$ 146.17	each				
		36 1/8"-48" (917-1219)	\$ 148.24	each						
		366D-LS	Dark Bronze Anodized/Automatic Door Bottom/Light Spring-Low Force	10"-18" (305-457)	\$ 182.70	each				
				18 1/8"-36" (460-914)	\$ 146.17	each				
36 1/8"-48" (917-1219)	\$ 148.24			each						
366G-LS	Gold Anodized/Automatic Door Bottom/Light Spring-Low Force			10"-18" (305-457)	\$ 182.70	each				
				18 1/8"-36" (460-914)	\$ 146.17	each				
		36 1/8"-48" (917-1219)	\$ 148.24	each						
		367AA	Clear Anodized/Automatic Door Bottom/Heavy Duty/Acoustic Sound Reduction	10"-18" (305-457)	\$ 171.74	each				
				18 1/8"-36" (460-914)	\$ 132.10	each				
36 1/8"-48" (917-1219)	\$ 151.89			each						
367BK	Black Anodized/Automatic Door Bottom/Heavy Duty/Acoustic Sound Reduction			10"-18" (305-457)	\$ 196.97	each				
				18 1/8"-36" (460-914)	\$ 156.24	each				
		36 1/8"-48" (917-1219)	\$ 179.72	each						
		367D	Dark Bronze Anodized/Automatic Door Bottom/Heavy Duty/Acoustic Sound Reduction	10"-18" (305-457)	\$ 196.97	each				
				18 1/8"-36" (460-914)	\$ 156.24	each				
36 1/8"-48" (917-1219)	\$ 179.72			each						
367G	Gold Anodized/Automatic Door Bottom/Heavy Duty/Acoustic Sound Reduction			10"-18" (305-457)	\$ 196.97	each				
				18 1/8"-36" (460-914)	\$ 156.24	each				
		36 1/8"-48" (917-1219)	\$ 179.72	each						
		367N	Double Wrap ADB Seal - Neoprene Replacement Gasket	10"-18" (305-457)	\$ 4.70	\$ 15.47				
				368AA	Clear Anodized/Automatic Door Bottom/Heavy Duty/Acoustic Sound Reduction	10"-18" (305-457)	\$ 171.74	each		
18 1/8"-36" (460-914)	\$ 132.10					each				
36 1/8"-48" (917-1219)	\$ 151.89					each				
368BK	Black Anodized/Automatic Door Bottom/Heavy Duty/Acoustic Sound Reduction					12"-18" (305-457)	\$ 196.97	each		
		18 1/8"-36" (460-914)	\$ 156.24			each				
		36 1/8"-48" (917-1219)	\$ 179.72	each						
		368D	Dark Bronze Anodized/Automatic Door Bottom/Heavy Duty/Acoustic Sound Reduction	10"-18" (305-457)	\$ 196.97	each				
				18 1/8"-36" (460-914)	\$ 156.24	each				
36 1/8"-48" (917-1219)	\$ 179.72			each						
368G	Gold Anodized/Automatic Door Bottom/Heavy Duty/Acoustic Sound Reduction			10"-18" (305-457)	\$ 196.97	each				
				18 1/8"-36" (460-914)	\$ 156.24	each				
		36 1/8"-48" (917-1219)	\$ 179.72	each						
		369AA	Clear Anodized/Mortised Automatic Door Bottom/Heavy Duty/Acoustic Sound Reduction	10"-18" (305-457)	\$ 150.64	each				
				18 1/8"-36" (460-914)	\$ 113.28	each				
36 1/8"-48" (917-1219)	\$ 130.24			each						
370A	Aluminum / Magnetic Seal Gasketing			10"-18" (305-457)	\$ 17.53	\$ 57.52				
				370D	Dark Bronze Anodized / Magnetic Seal Gasketing	10"-18" (305-457)	\$ 26.93	\$ 88.36		
		375AA	Clear Anodized / Magnetic / Snap-On Cover Gasketing			10"-18" (305-457)	\$ 19.10	\$ 62.65		
						375D	Dk Bronze Anod. / Magnetic / Snap-On Cover Gasketing	10"-18" (305-457)	\$ 25.53	\$ 83.78
								376AA	Clear Anodized / Neoprene / Snap-On Cover Gasketing	10"-18" (305-457)
376BK	Black Anod. / Neoprene/Snap-On Cover Gasketing									10"-18" (305-457)
				376D	Dk Bronze Anod. / Neoprene/Snap-On Cover Gasketing					10"-18" (305-457)
		376G	Gold Anod. / Neoprene/Snap-On Cover Gasketing							10"-18" (305-457)
						381A	Aluminum / Double Neoprene Lip Gasketing			10"-18" (305-457)
								383AA	Clear Anodized / Double Neoprene Meeting Stiles	10"-18" (305-457)
383BK	Black Anodized / Double Neoprene Meeting Stiles									10"-18" (305-457)
				383D	Dark Bronze Anodized / Double Neoprene Meeting Stiles					10"-18" (305-457)
		383G	Gold Anodized / Double Neoprene Meeting Stiles							10"-18" (305-457)
						383FS-AA	Clear Anodized / Neoprene / Intumescent Meeting Stiles			10"-18" (305-457)

PART NUMBER	DESCRIPTION	TYPE	LIST PRICE PER FOOT	LIST PRICE PER METER
383FS-BK	Black Anod./ Neoprene/ Intumescent	Meeting Stiles	\$ 23.20	\$ 76.12
383FS-D	Dark Bronze Anod./ Neoprene/ Intumescent	Meeting Stiles	\$ 23.20	\$ 76.12
383FS-G	Gold Anod./ Neoprene/ Intumescent	Meeting Stiles	\$ 23.20	\$ 76.12
383N	.687" Tall Tapered Lip Seal - Neoprene	Replacement Gasket	\$ 2.60	\$ 8.56
398V	Solid PVC Brown / Pile with Fin Seal / PSA	Meeting Stiles	\$ 7.17	\$ 23.55
399V	Solid PVC Brown / Silicone lips/ PSA	Meeting Stiles	\$ 7.17	\$ 23.55
400B	Bronze Side Jamb without Return Flange 1 3/4" (44.5)	Weather Stripping	\$ 12.10	\$ 39.73
400Z	Zinc Side Jamb without Return Flange 1 3/4" (44.5)	Weather Stripping	\$ 3.25	\$ 10.67
429AA	Clear Anodized with Silicone Gasket for use with Coordinator or Closer Bracket	Gasketing	\$ 11.28	\$ 37.03
429BK	Black Anodized with Silicone Gasket for use with Coordinator or Closer Bracket	Gasketing	\$ 15.83	\$ 51.93
429D	Dark Bronze Anodized with Silicone Gasket for use with Coordinator or Closer Bracket	Gasketing	\$ 15.83	\$ 51.93
429G	Gold Anodized with Silicone Gasket for use with Coordinator or Closer Bracket	Gasketing	\$ 15.83	\$ 51.93
452A	Aluminum Track / Neoprene	Door Sweep	\$ 11.36	\$ 37.24
469A*	3/8" Aluminum Assembly Connector	Threshold	\$ 5.70	\$ 18.68
470AA	Clear Anodized Security Seal / Neoprene	Gasketing	\$ 17.60	\$ 57.75
470BK	Black Anod. Security Seal/ Neoprene	Gasketing	\$ 23.10	\$ 75.77
470D	Dark Bronze Anod. Security Seal / Neoprene	Gasketing	\$ 23.10	\$ 75.77
470G	Gold Anod. Security Seal/ Neoprene	Gasketing	\$ 23.10	\$ 75.77
472AA	Clear Anodized Security Seal / Neoprene	Gasketing	\$ 21.78	\$ 71.46
472BK	Black Anodized Security Seal / Neoprene	Gasketing	\$ 29.73	\$ 71.46
472D	Dark Bronze Anodized Security Seal / Neoprene	Gasketing	\$ 29.73	\$ 71.46
472G	Gold Anodized Security Seal / Neoprene	Gasketing	\$ 29.73	\$ 71.46
475AA	Clear Anodized / Snap-On Cover / Neoprene Seal	Gasketing	\$ 9.23	\$ 30.27
475BK	Black Anodized / Snap-On Cover / Neoprene Seal	Gasketing	\$ 13.53	\$ 44.39
475D	Dark Bronze Anodized / Snap-On Cover / Neoprene Seal	Gasketing	\$ 13.53	\$ 44.39
475G	Gold Anodized / Snap-On Cover / Neoprene Seal	Gasketing	\$ 13.53	\$ 44.39
477AA	Clear Anodized/ Neoprene/ Snap-On Cover	Door Sweep	\$ 8.91	\$ 29.26
477BK	Black Anodized / Neoprene / Snap on Cover	Door Sweep	\$ 12.72	\$ 41.70
477D	Dark Bronze Anodized / Neoprene / Snap on Cover	Door Sweep	\$ 12.72	\$ 41.70
477G	Gold Anodized/ Snap-On Cover/ Neoprene	Door Sweep	\$ 12.72	\$ 41.70
477AA END CAP	End Cap for 477 Gasket Housing	End Cap	\$ 5.68	each
478AA	Clear Anodized / Snap-On Cover / Double Neoprene	Gasketing	\$ 12.99	\$ 42.61
478BK	Black Anodized / Snap-On Cover / Double Neoprene	Gasketing	\$ 17.38	\$ 57.04
478D	Dark Bronze Anodized / Snap-On Cover / Double Neoprene	Gasketing	\$ 17.38	\$ 57.04
478G	Gold Anodized / Snap-On Cover / Double Neoprene	Gasketing	\$ 17.38	\$ 57.04
485AA	Aluminum / Neoprene	Gasketing	\$ 6.25	\$ 20.51
485BK	Black Anodized / Neoprene	Gasketing	\$ 9.58	\$ 31.42
485D	Dark Bronze Anodized / Neoprene	Gasketing	\$ 9.58	\$ 31.42
485G	Gold Anodized / Neoprene	Gasketing	\$ 9.58	\$ 31.42
486N	.36" Wide Dual Lip and Bulb .176" Wide Base-Neoprene	Replacement Gasket	\$ 3.78	\$ 12.43
488BIO	Antibacterial Rubber / Brown / PSA	Weather Stripping	\$ 1.64	\$ 5.38
488FS	Intumescent / Silicone / PSA	Weather Stripping	\$ 3.12	\$ 10.28
488S-BK	Silicone Seal with PSA, black color	Weather Stripping	\$ 1.49	\$ 4.89
488S-BR	Silicone Seal with PSA, brown color	Weather Stripping	\$ 1.49	\$ 4.89
488S-CL	Silicone Seal with PSA, clear	Weather Stripping	\$ 1.49	\$ 4.89
488S-GY	Silicone Seal with PSA, gray color	Weather Stripping	\$ 1.49	\$ 4.89
488S-WH	Silicone Seal with PSA, white color	Weather Stripping	\$ 1.49	\$ 4.89
500B	Bronze Side Jamb without Return Flange 2 1/8" (53.1)	Weather Stripping	\$ 13.26	\$ 43.49
500Z	Zinc Side Jamb without Return Flange 2 1/8" (53.1)	Weather Stripping	\$ 4.26	\$ 14.00

**Supplied without mounting holes.

PART NUMBER	DESCRIPTION	TYPE	LIST PRICE PER FOOT	LIST PRICE PER METER
511A	Aluminum / Rubber 1/16"(1.6) thick	Door Sweep	\$ 12.11	\$ 39.76
511BK	Black Anodizing / Rubber 1/16"(1.6) thick	Door Sweep	\$ 16.64	\$ 54.59
511D	Dark Bronze Anod. / Rubber 1/16"(1.6) thick	Door Sweep	\$ 16.64	\$ 54.59
511G	Gold Anodizing / Rubber 1/16"(1.6) thick	Door Sweep	\$ 16.64	\$ 54.59
520A	Aluminum / Double Neoprene	Gasketing	\$ 11.06	\$ 36.32
521FS A	Aluminum/ Intumescent/ Flame Retardant	Door Sweep	\$ 23.87	\$ 78.29
	Silicone,for undercut doors			
521S-BK	1.938" Tall Rectangular Seal - Silicone	Replacement Gasket	\$ 6.33	\$ 20.79
522A	Aluminum Threshold 1/2" (12.7) High	Threshold	\$ 7.58	\$ 24.85
522BK	Black Anod. Threshold 1/2" (12.7) High	Threshold	\$ 10.53	\$ 34.52
522D	Dark Bronze Anod. Threshold 1/2" (12.7) High	Threshold	\$ 10.53	\$ 34.52
522G	Gold Anod. Threshold 1/2" (12.7) High	Threshold	\$ 10.53	\$ 34.52
523A	Aluminum Butt Threshold 3" (76.2)	Threshold	\$ 16.60	\$ 54.47
523BK	Black Anod. Butt Threshold 3" (76.2)	Threshold	\$ 23.08	\$ 75.71
523D	Dark Bronze Anod. Butt Threshold 3" (76.2)	Threshold	\$ 23.08	\$ 75.71
523G	Gold Anod. Butt Threshold 3" (76.2)	Threshold	\$ 23.08	\$ 75.71
524A	Aluminum Butt Threshold 3"(76.2)/ Neoprene	Threshold	\$ 19.02	\$ 62.44
524BK	Black Anod. Butt Threshold 3"(76.2)/ Neoprene	Threshold	\$ 26.40	\$ 86.58
524D	Dark Bronze Anodized Butt Threshold 3"(76.2)/ Neoprene	Threshold	\$ 26.40	\$ 86.58
524G	Gold Anod. Butt Threshold 3"(76.2)/ Neoprene	Threshold	\$ 26.40	\$ 86.58
525A	Aluminum Thermal Break Threshold 5" (127.0) / Neoprene	Threshold	\$ 27.67	\$ 90.76
525BK	Black Anodized Thermal Break Threshold 5" (127.0) / Neoprene	Threshold	\$ 36.75	\$ 120.53
525D	Dark Bronze Anodized Thermal Break Threshold 5" (127.0) / Neoprene	Threshold	\$ 36.75	\$ 120.53
525G	Gold Anodized Thermal Break Threshold 5" (127.0) / Neoprene	Threshold	\$ 36.75	\$ 120.53
526A	Aluminum Thermal Break Threshold 6" (152.4) / Neoprene	Threshold	\$ 30.43	\$ 99.84
526BK	Black Anodized Thermal Break Threshold 6" (152.4) / Neoprene	Threshold	\$ 40.64	\$ 133.30
526D	Dark Bronze Anod. Thermal Break Threshold 6" (152.4) / Neoprene	Threshold	\$ 40.64	\$ 133.30
526G	Gold Anodized Thermal Break Threshold 6" (152.4) / Neoprene	Threshold	\$ 40.64	\$ 133.30
539AA	Clear Anodized / Solid Neoprene	Gasketing	\$ 10.25	\$ 33.62
539BK	Black Anodized / Solid Neoprene	Gasketing	\$ 15.39	\$ 50.47
539D	Dark Bronze Anodized / Solid Neoprene	Gasketing	\$ 15.39	\$ 50.47
539G	Gold Anodized / Solid Neoprene	Gasketing	\$ 15.39	\$ 50.47
539N	1.56" Tall Sweep Seal - Neoprene	Replacement Gasket	\$ 2.61	\$ 8.59
544A	Aluminum Handicap Threshold 4"(101.6)	Threshold	\$ 11.06	\$ 36.30
544BK	Black Anod. Handicap Threshold 4"(101.6)	Threshold	\$ 15.61	\$ 51.22
544D	Dark Bronze Anod. Handicap Threshold 4"(101.6)	Threshold	\$ 15.61	\$ 51.22
544G	Gold Anod. Handicap Threshold 4"(101.6)	Threshold	\$ 15.61	\$ 51.22
545A	Aluminum Handicap Threshold 5"(127.0)	Threshold	\$ 13.25	\$ 43.46
545BK	Black Anod. Handicap Threshold 5"(127.0)	Threshold	\$ 26.16	\$ 85.81
545D	Dark Bronze Anod. Handicap Threshold 5"(127.0)	Threshold	\$ 26.16	\$ 85.81
545G	Gold Anod. Handicap Threshold 5"(127.0)	Threshold	\$ 26.16	\$ 85.81
545B	Bronze Handicap Threshold 5"(127.0)	Threshold	\$ 54.49	\$ 178.78
546A**	Aluminum Handicap Threshold 6"(152.4)	Threshold	\$ 17.09	\$ 56.04
546BK**	Black Anod. Handicap Threshold 6"(152.4)	Threshold	\$ 23.89	\$ 78.36
546D**	Dark Bronze Anodized Handicap Threshold 6"(152.4)	Threshold	\$ 23.89	\$ 78.36
546G**	Gold Anod. Handicap Threshold 6"(152.4)	Threshold	\$ 23.89	\$ 78.36
547A**	Aluminum Handicap Threshold 7"(177.8)	Threshold	\$ 20.02	\$ 65.68
547BK**	Black Anod. Handicap Threshold 7"(177.8)	Threshold	\$ 26.83	\$ 88.01
547D**	Dark Bronze Anodized Handicap Threshold 7"(177.8)	Threshold	\$ 26.83	\$ 88.01
547G**	Gold Anod. Handicap Threshold 7"(177.8)	Threshold	\$ 26.83	\$ 88.01
548A**	Aluminum Handicap Threshold 8"(203.2)	Threshold	\$ 25.72	\$ 84.37
548BK**	Black Anod. Handicap Threshold 8"(203.2)	Threshold	\$ 34.79	\$ 114.12

PART NUMBER	DESCRIPTION	TYPE	LIST PRICE PER FOOT	LIST PRICE PER METER
548D**	Dark Bronze Anodized Handicap Threshold 8"(203.2)	Threshold	\$ 34.79	\$ 114.12
548G**	Gold Anod. Handicap Threshold 8"(203.2)	Threshold	\$ 34.79	\$ 114.12
555AA	Clear Anodized / Silicone Insert Adjustable Surface Astragal	Meeting Stile	\$ 22.54	\$ 73.94
555BK	Black Anodized / Silicone Insert Adjustable Surface Astragal	Meeting Stile	\$ 33.05	\$ 108.46
555D	Dark Bronze Anodized / Silicone Insert Adjustable Surface Astragal	Meeting Stile	\$ 33.05	\$ 108.46
555G	Gold Anodized / Silicone Insert Adjustable Surface Astragal	Meeting Stile	\$ 33.05	\$ 108.46
555FS-AA	Clear Anodized / Silicone / Intumescent Adjustable Surface Astragal	Meeting Stile	\$ 29.92	\$ 98.19
555FS-BK	Black Anodized / Silicone Insert / Intumescent / Adjustable Surface Astragal	Meeting Stile	\$ 36.53	\$ 119.86
555FS-D	Dark Bronze Anodized / Silicone Insert / Intumescent / Adjustable Surface Astragal	Meeting Stile	\$ 36.53	\$ 119.86
555FS-G	Gold Anodized / Silicone Insert / Intumescent / Adjustable Surface Astragal	Meeting Stile	\$ 36.53	\$ 119.86
557AA	Clear Anodized / Silicone Insert / Adjustable Mortised Astragal	Meeting Stile	\$ 22.54	\$ 73.94
557BK	Black Anodized / Silicone Insert / Adjustable Mortised Astragal	Meeting Stile	\$ 32.54	\$ 106.80
557D	Dark Bronze Anodized / Silicone Insert / Adjustable Mortised Astragal	Meeting Stile	\$ 32.54	\$ 106.80
557G	Gold Anodized / Silicone Insert / Adjustable Mortised Astragal	Meeting Stile	\$ 32.54	\$ 106.80
557FS-AA	Clear Anodized / Intumescent / Silicone Adjustable Mortised Astragal	Meeting Stile	\$ 28.56	\$ 93.72
557FS-BK	Black Anodized / Intumescent / Silicone Adjustable Mortised Astragal	Meeting Stile	\$ 38.98	\$ 127.85
557FS-D	Dark Bronze Anodized / Intumescent / Silicone / Adjustable Mortised Astragal	Meeting Stile	\$ 38.98	\$ 127.85
557FS-G	Gold Anodized / Intumescent / Silicone Adjustable Mortised Astragal	Meeting Stile	\$ 38.98	\$ 127.85
560A	Aluminum Rabbeted Threshold/ Neoprene 5"(127.0) wide 7/8"(22.2) high	Threshold	\$ 19.52	\$ 64.06
560BK	Black Anodized Rabbeted Threshold/ Neoprene 5"(127.0) wide 7/8"(22.2) high	Threshold	\$ 26.89	\$ 88.22
560D	Dark Bronze Anodized Rabbeted Threshold/ Neoprene 5"(127.0) wide 7/8"(22.2) high	Threshold	\$ 26.89	\$ 88.22
560G	Gold Anodized Rabbeted Threshold/ Neoprene 5"(127.0) wide 7/8"(22.2) high	Threshold	\$ 26.89	\$ 88.22
561A	Aluminum Rabbeted Threshold/ Neoprene 4 1/2"(114.3) wide 1" (25.4) high	Threshold	\$ 20.90	\$ 68.55
561BK	Black Anodized Rabbeted Threshold/ Neoprene 4 1/2"(114.3) wide 1" (25.4) high	Threshold	\$ 28.84	\$ 94.61
561D	Dark Bronze Anodized Rabbeted Threshold/ Neoprene 4 1/2"(114.3) wide 1" (25.4) high	Threshold	\$ 28.84	\$ 94.61
561G	Gold Anodized Rabbeted Threshold/ Neoprene 4 1/2"(114.3) wide 1" (25.4) high	Threshold	\$ 28.84	\$ 94.61
563A	Aluminum Rabbeted Threshold/ Neoprene 3 9/16"(90.4) wide 7/8"(22.2) high	Threshold	\$ 15.53	\$ 50.94
563BK	Black Anodized Rabbeted Threshold/ Neoprene 3 9/16"(90.4) wide 7/8"(22.2) high	Threshold	\$ 21.21	\$ 69.57
563D	Dark Bronze Anodized Rabbeted Threshold/ Neoprene 3 9/16"(90.4) wide 7/8"(22.2) high	Threshold	\$ 21.21	\$ 69.57
563G	Gold Anodized Rabbeted Threshold/ Neoprene 3 9/16"(90.4) wide 7/8"(22.2) high	Threshold	\$ 21.21	\$ 69.57
564A	Aluminum Rabbeted Threshold/ Neoprene 3 11/16"(84.9) wide 1/2"(12.7) high	Threshold	\$ 11.30	\$ 37.12
564BK	Black Anodized Rabbeted Threshold/ Neoprene 3 11/16"(84.9) wide 1/2"(12.7) high	Threshold	\$ 15.85	\$ 51.99
564D	Dark Bronze Anodized Rabbeted Threshold/ Neoprene 3 11/16"(84.9) wide 1/2"(12.7) high	Threshold	\$ 15.85	\$ 51.99

**Supplied without mounting holes.

PART NUMBER	DESCRIPTION	TYPE	LIST PRICE PER FOOT	LIST PRICE PER METER
564G	Gold Anodized Rabbeted Threshold/ Neoprene 3 11/16"(84.9) wide 1/2"(12.7) high	Threshold	\$ 15.85	\$ 51.99
564B	Bronze Rabbeted Threshold / Neoprene 3 11/16"(84.9) wide 1/2"(12.7) high	Threshold	\$ 62.30	\$ 204.39
564D	Dark Bronze Anodized / Neoprene 3 11/16"(84.9) wide 1/2"(12.7) high	Threshold	\$ 15.85	\$ 51.99
565A	Aluminum Rabbeted Threshold 4 7/8" (123.8) / Neoprene Stop 7/8" (22.2)	Threshold	\$ 25.38	\$ 83.29
565BK	Black Anodized Rabbeted Threshold 4 7/8" (123.8) / Neoprene Stop 7/8" (22.2)	Threshold	\$ 34.46	\$ 113.05
565D	Dark Bronze Anodized Rabbeted Threshold 4 7/8" (123.8) / Neoprene Stop 7/8" (22.2)	Threshold	\$ 34.46	\$ 113.05
565G	Gold Anodized Rabbeted Threshold 4 7/8" (123.8) / Neoprene Stop 7/8" (22.2)	Threshold	\$ 34.46	\$ 113.05
565B	Bronze Rabbeted Threshold 4 7/8" (123.8) / Neoprene Stop 7/8" (22.2)	Threshold	\$ 147.97	\$ 485.50
566A	Aluminum Rabbeted Threshold 5"(12.7) Neoprene Stop 1/2" (12.7)	Threshold	\$ 15.87	\$ 52.09
566BK	Black Anodized Rabbeted Threshold 5"(12.7) Neoprene Stop 1/2" (12.7)	Threshold	\$ 21.56	\$ 70.70
566D	Dark Bronze Anodized Rabbeted Threshold 5"(12.7) Neoprene Stop 1/2" (12.7)	Threshold	\$ 21.56	\$ 70.70
566G	Gold Anodized Rabbeted Threshold 5"(12.7) Neoprene Stop 1/2" (12.7)	Threshold	\$ 21.56	\$ 70.70
567B	Bronze 1/2" (12.7) High Neoprene Stop 1/2" (12.7)	Threshold	\$ 65.16	\$ 213.80
568A	Aluminum 1/2" (12.7) High Rabbeted Threshold 6" (152.4) Wide	Threshold	\$ 18.22	\$ 59.76
568BK	Black Anodized 1/2" (12.7) High Rabbeted Threshold 6" (152.4) Wide	Threshold	\$ 25.03	\$ 82.09
568D	Black Anodized 1/2" (12.7) High Rabbeted Threshold 6" (152.4) Wide	Threshold	\$ 25.03	\$ 82.09
568G	Gold Anodized 1/2" (12.7) High Rabbeted Threshold 6" (152.4) Wide	Threshold	\$ 25.03	\$ 82.09
570AA	Clear Anodized / Self-Adjusting / Silicone	Gasketing	\$ 14.24	\$ 46.74
570BK	Black Anodized / Self-Adjusting / Silicone	Gasketing	\$ 19.34	\$ 63.46
570D	Dark Bronze Anodized / Self-Adjusting / Silicone	Gasketing	\$ 19.34	\$ 63.46
570G	Gold Anodized / Self-Adjusting / Silicone	Gasketing	\$ 19.34	\$ 63.46
570S-BK	.328" Semi-circular Bulb Kerf Seal - Silicone - Black	Replacement Gasket	\$ 2.65	\$ 8.72
571AA	Clear Anodized/ Self Adjusting/Neoprene Lip	Meeting Stile	\$ 14.24	\$ 46.74
571BK	Black Anodized/Self Adjusting/Neoprene Lip	Meeting Stile	\$ 19.94	\$ 65.45
571D	Dk Bronze Anodized/Self Adjusting/ Neoprene Lip	Meeting Stile	\$ 19.94	\$ 65.45
571G	Gold Anodized/Self Adjusting/Neoprene Lip	Meeting Stile	\$ 19.94	\$ 65.45
572N	.36" Wide Lip and Bulb Seal - Neoprene	Replacement Gasket	\$ 4.53	\$ 14.83
600CP**	Aluminum Cover Plate Wide max. 48"(1219.2) x 1/8"(3.2) thick - Submit template with Order	Threshold	\$ 5.16	/inch x /ft.
600CPBK**	Black Anod. Cover Plate Wide max. 48"(1219.2) x 1/8"(3.2) thick - Submit template with Order	Threshold	\$ 7.44	/inch x /ft.
600CPD**	Dark Bronze Anod. Cover Plate Wide max. 48"(1219.2) x 1/8"(3.2) thick - Submit template with Order	Threshold	\$ 7.44	/inch x /ft.
600CPG**	Gold Anod. Cover Plate Wide max. 48"(1219.2) x 1/8"(3.2) thick - Submit template with Order	Threshold	\$ 7.44	/inch x /ft.
601CP**	Aluminum Cover Plate Wide max. 48"(1219.2) x 1/4"(6.4) thick - Submit template with order	Threshold	\$ 9.69	/inch x /ft.
601CPBK**	Black Anod. Cover Plate Wide max. 48"(1219.2) x 1/4"(6.4) thick - Submit template with order	Threshold	\$ 13.57	/inch x /ft.
601CPD**	Dark Bronze Anod. Cover Plate Wide max. 48"(1219.2) x 1/4"(6.4) thick - Submit template with order	Threshold	\$ 13.57	/inch x /ft.
601CPG**	Gold Anod. Cover Plate Wide max. 48"(1219.2) x 1/4"(6.4) thick - Submit template with order	Threshold	\$ 13.57	/inch x /ft.
622A	Aluminum Butt Threshold 2" (50.8)	Threshold	\$ 7.58	\$ 24.85

PART NUMBER	DESCRIPTION	TYPE	LIST PRICE PER FOOT	LIST PRICE PER METER
622BK	Black Anod. Butt Threshold 2" (50.8)	Threshold	\$ 10.41	\$ 34.17
622D	Dark Bronze Anod. Butt Threshold 2" (50.8)	Threshold	\$ 10.41	\$ 34.17
622G	Gold Anod. Butt Threshold 2" (50.8)	Threshold	\$ 10.41	\$ 34.17
622PVC	.45" x .49" Thermal Break Connector - PVC	Replacement Gasket	\$ 2.78	\$ 9.11
623A	Aluminum Butt Threshold 3" (76.2)	Threshold	\$ 10.75	\$ 35.26
623BK	Black Anod. Butt Threshold 3" (76.2)	Threshold	\$ 14.84	\$ 48.67
623D	Dark Bronze Anod. Butt Threshold 3" (76.2)	Threshold	\$ 14.84	\$ 48.67
623G	Gold Anod. Butt Threshold 3" (76.2)	Threshold	\$ 14.84	\$ 48.67
624A	Aluminum / Thermal Break / 4" (101.6)	Threshold	\$ 16.77	\$ 55.00
624BK	Black Anod. / Thermal Break / 4" (101.6)	Threshold	\$ 23.00	\$ 75.46
624D	Dark Bronze Anod. / Thermal Break / 4" (101.6)	Threshold	\$ 23.00	\$ 75.46
624G	Gold Anod. / Thermal Break / 4" (101.6)	Threshold	\$ 23.00	\$ 75.46
625A	Aluminum / Thermal Break / 5" (127.0)	Threshold	\$ 19.93	\$ 65.39
625BK	Black Anod. / Thermal Break / 5" (127.0)	Threshold	\$ 27.21	\$ 89.21
625D	Dark Bronze Anod. / Thermal Break / 5" (127.0)	Threshold	\$ 27.21	\$ 89.21
625G	Gold Anod. / Thermal Break / 5" (127.0)	Threshold	\$ 27.21	\$ 89.21
626A	Aluminum / Thermal Break / 6" (152.4)	Threshold	\$ 22.69	\$ 74.45
626BK	Black Anod. / Thermal Break / 6" (152.4)	Threshold	\$ 31.20	\$ 102.34
626D	Dark Bronze Anod. / Thermal Break / 6" (152.4)	Threshold	\$ 31.20	\$ 102.34
626G	Gold Anod. / Thermal Break / 6" (152.4)	Threshold	\$ 31.20	\$ 102.34
627A	Aluminum / Neoprene / 2" (50.8) wide	Threshold	\$ 9.36	\$ 30.72
627BK	Black Anod. / Neoprene / 2" (50.8) wide	Threshold	\$ 12.77	\$ 73.26
627D	Dark Bronze Anod. / Neoprene / 2" (50.8) wide	Threshold	\$ 12.77	\$ 73.26
627G	Gold Anod. / Neoprene / 2" (50.8) wide	Threshold	\$ 12.77	\$ 73.26
628A	Aluminum / Neoprene / 3" (76.2) wide	Threshold	\$ 12.46	\$ 40.88
628BK	Black Anod. / Neoprene / 3" (76.2) wide	Threshold	\$ 17.11	\$ 56.11
628D	Dark Bronze Anod. / Neoprene / 3" (76.2) wide	Threshold	\$ 17.11	\$ 56.11
628G	Gold Anod. / Neoprene / 3" (76.2) wide	Threshold	\$ 17.11	\$ 56.11
639WA	Aluminum / Solid Neoprene	Door Sweep	\$ 14.63	\$ 47.97
639WBK	Black Anodized / Solid Neoprene	Door Sweep	\$ 19.85	\$ 65.10
639WD	Dark Bronze Anodized / Solid Neoprene	Door Sweep	\$ 19.85	\$ 65.10
639WG	Gold Anodized / Solid Neoprene	Door Sweep	\$ 19.85	\$ 65.10
643A	Aluminum / Carpet Divider / 3" (76.2) wide	Threshold	\$ 12.71	\$ 41.68
643BK	Black Anod. / Carpet Divider / 3" (76.2) wide	Threshold	\$ 17.48	\$ 57.32
643D	Dark Bronze Anod. / Carpet Divider / 3" (76.2) wide	Threshold	\$ 17.48	\$ 57.32
643G	Gold Anod. / Carpet Divider / 3" (76.2) wide	Threshold	\$ 17.48	\$ 57.32
647B**	Bronze Threshold 7" (177.8) wide	Threshold	\$ 195.49	\$ 641.40
653A	Aluminum Threshold 3" (76.2) wide	Threshold	\$ 12.18	\$ 40.02
653BK	Black Anodized Threshold 3" (76.2) wide	Threshold	\$ 16.86	\$ 55.31
653D	Dark Bronze Anodized Threshold 3" (76.2) wide	Threshold	\$ 16.86	\$ 55.31
653G	Gold Anodized Threshold 3" (76.2) wide	Threshold	\$ 16.86	\$ 55.31
654A	Aluminum Threshold 4" (101.6) wide	Threshold	\$ 15.63	\$ 51.27
654BK	Black Anod. Threshold 4" (101.6) wide	Threshold	\$ 21.31	\$ 69.89
654D	Dark Bronze Anod. Threshold 4" (101.6) wide	Threshold	\$ 21.31	\$ 69.89
654G	Gold Anod. Threshold 4" (101.6) wide	Threshold	\$ 21.31	\$ 69.89
654B	Bronze Threshold 4" (101.6) wide	Threshold	\$ 71.49	\$ 234.54
655A	Aluminum Threshold 5" (127.0) wide	Threshold	\$ 18.72	\$ 61.39
655BK	Black Anod. Threshold 5" (127.0) wide	Threshold	\$ 25.51	\$ 83.69
655D	Dark Bronze Anod. Threshold 5" (127.0) wide	Threshold	\$ 25.51	\$ 83.69
655G	Gold Anod. Threshold 5" (127.0) wide	Threshold	\$ 25.51	\$ 83.69
655B	Bronze Threshold 5" (127.0) wide	Threshold	\$ 98.47	\$ 323.08
656A**	Aluminum Threshold 6" (152.4) wide	Threshold	\$ 22.13	\$ 72.65
656BK**	Black Anod. Threshold 6" (152.4) wide	Threshold	\$ 30.53	\$ 100.14
656D**	Dark Bronze Anod. Threshold 6" (152.4) wide	Threshold	\$ 30.53	\$ 100.14
656G**	Gold Anod. Threshold 6" (152.4) wide	Threshold	\$ 30.53	\$ 100.14
656B**	Bronze Threshold 6" (152.4) wide	Threshold	\$ 128.31	\$ 420.98
657A**	Aluminum Threshold 7" (177.8) wide	Threshold	\$ 31.74	\$ 104.12
657BK**	Black Anod. Threshold 7" (177.8) wide	Threshold	\$ 43.10	\$ 141.37
657D**	Dark Bronze Anod. Threshold 7" (177.8) wide	Threshold	\$ 43.10	\$ 141.37

PART NUMBER	DESCRIPTION	TYPE	LIST PRICE PER FOOT	LIST PRICE PER METER
657G**	Gold Anod. Threshold 7" (177.8) wide	Threshold	\$ 43.10	\$ 141.37
663A**	Aluminum Threshold 3" (76.2) wide	Threshold	\$ 9.93	\$ 32.58
663BK**	Black Anod. Threshold 3" (76.2) wide	Threshold	\$ 13.91	\$ 45.62
663D**	Dark Bronze Anod. Threshold 3" (76.2) wide	Threshold	\$ 13.91	\$ 45.62
663G**	Gold Anod. Threshold 3" (76.2) wide	Threshold	\$ 13.91	\$ 45.62
664STST	Stainless Steel/ Smooth Top 4" (101.6) x 1/2" (12.7)	Threshold	\$ 136.86	\$ 448.99
669DP-A	Aluminum Custom Fabricated Bulkhead	Threshold		Custom Product submit template to Eng. Specials
669DP-S	Steel Custom Fabricated Bulkhead	Threshold		Custom Product submit template to Eng. Specials
669DP-STST	Stainless Steel Custom Fabricated	Threshold		Custom Product submit template to Eng. Specials
672A**	Aluminum Plate 2" (50.8) wide	Threshold	\$ 9.27	\$ 30.44
672BK**	Black Anod. Plate 2" (50.8) wide	Threshold	\$ 12.68	\$ 41.57
672D**	Dark Bronze Anod. Plate 2" (50.8) wide	Threshold	\$ 12.68	\$ 41.57
672G**	Gold Anod. Plate 2" (50.8) wide	Threshold	\$ 12.68	\$ 41.57
673A**	Aluminum Plate 3" (76.2) wide	Threshold	\$ 13.50	\$ 44.31
673BK**	Black Anod. Plate 3" (76.2) wide	Threshold	\$ 18.73	\$ 61.42
673D**	Dark Bronze Anod. Plate 3" (76.2) wide	Threshold	\$ 18.73	\$ 61.42
673G**	Gold Anod. Plate 3" (76.2) wide	Threshold	\$ 18.73	\$ 61.42
673B**	Bronze Plate 3" (76.2) wide	Threshold	\$ 70.77	\$ 232.23
674A**	Aluminum Plate 4" (101.6) wide	Threshold	\$ 18.30	\$ 60.06
674BK**	Black Anod. Plate 4" (101.6) wide	Threshold	\$ 25.12	\$ 82.40
674D**	Dark Bronze Anod. Plate 4" (101.6) wide	Threshold	\$ 25.12	\$ 82.40
674G**	Gold Anod. Plate 4" (101.6) wide	Threshold	\$ 25.12	\$ 82.40
674B**	Bronze Plate 4" (101.6) wide	Threshold	\$ 99.12	\$ 325.19
675A**	Aluminum Plate 5" (127.0) wide	Threshold	\$ 21.79	\$ 71.51
675BK**	Black Anod. Plate 5" (127.0) wide	Threshold	\$ 29.75	\$ 97.55
675D**	Dark Bronze Anod. Plate 5" (127.0) wide	Threshold	\$ 29.75	\$ 97.55
675G**	Gold Anod. Plate 5" (127.0) wide	Threshold	\$ 29.75	\$ 97.55
676A**	Aluminum Plate 6" (152.4) wide	Threshold	\$ 26.36	\$ 86.48
676BK**	Black Anod. Plate 6" (152.4) wide	Threshold	\$ 36.35	\$ 119.22
676D**	Dark Bronze Anod. Plate 6" (152.4) wide	Threshold	\$ 36.35	\$ 119.22
676G**	Gold Anod. Plate 6" (152.4) wide	Threshold	\$ 36.35	\$ 119.22
676B**	Bronze Plate 6" (152.4) wide	Threshold	\$ 193.33	\$ 634.33
678A**	Aluminum Plate 8" (203.2) wide	Threshold	\$ 36.45	\$ 119.58
678BK**	Black Anod. Plate 8" (203.2) wide	Threshold	\$ 50.09	\$ 164.29
678D**	Dark Bronze Anod. Plate 8" (203.2) wide	Threshold	\$ 50.09	\$ 164.29
678G**	Gold Anod. Plate 8" (203.2) wide	Threshold	\$ 50.09	\$ 164.29
712AA	Clear Anodized / Adjustable / Spring Loaded / Silicone Insert	Gasketing	\$ 22.54	\$ 73.94
712BK	Black Anodized / Adjustable / Spring Loaded / Silicone Insert	Gasketing	\$ 33.05	\$ 108.46
712D	Dark Bronze Anodized / Adjustable / Spring Loaded / Silicone Insert	Gasketing	\$ 33.05	\$ 108.46
712G	Gold Anodized / Adjustable / Spring Loaded / Silicone Insert	Gasketing	\$ 33.05	\$ 108.46
770AA*	Clear Anodized / Adjustable Sound Seal	Gasketing	\$ 29.72	\$ 97.50
770BK*	Black Anodized / Adjustable Sound Seal/ Neoprene	Gasketing	\$ 37.02	\$ 121.48
770D*	Dark Bronze Anodized / Adjustable Sound Seal/ Neoprene	Gasketing	\$ 37.02	\$ 121.48
770G*	Gold Anodized / Adjustable Sound Seal/ Neoprene	Gasketing	\$ 37.02	\$ 121.48
770SP*	Steel Primed Adjustable Sound Seal for Cased Opening Fire Rated	Gasketing	\$ 41.83	\$ 137.23
770SPB	Closer/Coordinator 6" Bracket Steel Prime.	General	\$ 38.98	each
770STST*	Stainless Steel Adjustable Sound Seal	Gasketing	\$ 78.85	\$ 258.67
770FS-AA*	Clear Anodized / Intumescent Fire Stop Neoprene	Gasketing	\$ 44.25	\$ 145.16
770FS-BK*	Black Anodized / Intumescent Fire Stop/Neoprene	Gasketing	\$ 51.71	\$ 169.67
770FS-D*	Dark Bronze Anodized / Intumescent Fire Stop/Neoprene	Gasketing	\$ 51.71	\$ 169.67
770FS-G*	Gold Anodized / Intumescent Fire Stop/ Neoprene	Gasketing	\$ 51.71	\$ 169.67
810	Closed Cell Neoprene/ Bumper Type/ PSA .625" (15.9) x .625" (15.9)	Weather Stripping	\$ 2.94	\$ 9.60

*Comes standard with mitered corners when ordered a set. If ordering mitered corners as a stick, please specify handing. If non-mitered corners is wanted, please specify and order as an individual stick length.
**Supplied without mounting holes.



PART NUMBER	DESCRIPTION	TYPE	LIST PRICE PER FOOT	LIST PRICE PER METER
811	Closed Cell Neoprene/ Bumper Type/ PSA 750"(19.1) x .625"(15.9)	Weather Stripping	\$ 4.38	\$ 14.36
812	Closed Cell Neoprene/ Bumper Type/ PSA 1.00"(25.4) x .500"(12.7)	Weather Stripping	\$ 5.10	\$ 16.74
813	Closed Cell Neoprene/ Bumper Type/ PSA 1.250"(31.8) x .625"(15.9)	Weather Stripping	\$ 6.20	\$ 20.33
824N	Neoprene Seal with PSA	Weather Stripping	\$ 1.37	\$ 4.53
826N	Closed Cell Neoprene Seal with PSA	Weather Stripping	\$ 1.13	\$ 3.72
870AA	Clear Anodized / Silicone / Adjustable	Gasketing	\$ 18.47	\$ 60.58
870BK	Black Anodized / Silicone / Adjustable	Gasketing	\$ 27.62	\$ 90.62
870D	Dark Bronze Anodized / Silicone / Adjustable	Gasketing	\$ 27.62	\$ 90.62
870G	Gold Anodized / Silicone / Adjustable	Gasketing	\$ 27.62	\$ 90.62
870SPB	Closer/Coordinator 6" Bracket Steel Prime	General	\$ 37.20	each
870S-BK	.361" Wide Silicone Bulb Seal	Replacement Gasket	\$ 5.96	\$ 19.58
871AA	Clear Anodized / Pile Brush / Adjustable	Meeting Stile	\$ 18.47	\$ 60.58
871BK	Black Anodized / Pile Brush / Adjustable	Meeting Stile	\$ 27.62	\$ 90.62
871D	Dark Bronze Anodized / Pile Brush / Adjustable	Meeting Stile	\$ 27.62	\$ 90.62
871G	Gold Anodized / Pile Brush / Adjustable	Meeting Stile	\$ 27.62	\$ 90.62
873AA	Clear Anodized / Neoprene Lip / Adjustable	Meeting Stile	\$ 18.47	\$ 60.58
873BK	Black Anodized / Neoprene Lip / Adjustable	Meeting Stile	\$ 27.62	\$ 90.60
873D	Dark Bronze Anodized / Neoprene Lip / Adjustable	Meeting Stile	\$ 27.62	\$ 90.60
873G	Gold Anodized / Neoprene Lip / Adjustable	Meeting Stile	\$ 27.62	\$ 90.60
905A	Aluminum Astragal	Gasketing	\$ 8.52	\$ 27.97
905BK	Black Anodized Astragal	Gasketing	\$ 11.94	\$ 39.16
905D	Dark Bronze Anodized Astragal	Gasketing	\$ 11.94	\$ 39.16
905G	Gold Anodized Astragal	Gasketing	\$ 11.94	\$ 39.16
926N	.375" (9.5) x .185" (4.7) Closed Cell Sponge Neoprene w/PSA - 50 Ft. (15.24M)/Roll, 1 roll minimum UOM purchase	Gasketing	\$ 1.90	\$ 7.47
951A	Cover for mortise type hinge.	Finger Guard	\$ 12.46	\$ 40.89
951BK	Black Anodizing Cover for mortise type hinge.	Finger Guard	\$ 17.01	\$ 55.76
951D	Dark Bronze Anod. Cover for mortise type hinge.	Finger Guard	\$ 17.01	\$ 55.76
951G	Gold Anodizing Cover for mortise type hinge.	Finger Guard	\$ 17.01	\$ 55.76
971AA-BIO	BioWall Antibacterial rubber, white	Finger Guard	\$ 16.35	\$ 53.61
971BK-BIO	Black Anod. BioWall Antibacterial rubber, white	Finger Guard	\$ 22.71	\$ 74.49
971D-BIO	Dark Bronze Anod. BioWall Antibacterial rubber, white	Finger Guard	\$ 22.71	\$ 74.49
971G-BIO	Gold Anod. BioWall Antibacterial rubber, white	Finger Guard	\$ 22.71	\$ 74.49
972AA-BIO	BioWall Antibacterial rubber, white	Finger Guard	\$ 13.86	\$ 45.47
972BK-BIO	Black Anod. BioWall Antibacterial rubber, white	Finger Guard	\$ 19.30	\$ 63.32
972D-BIO	Dark Bronze Anod. BioWall Antibacterial rubber, white	Finger Guard	\$ 19.30	\$ 63.32
972G-BIO	Gold Anod. BioWall Antibacterial rubber, white	Finger Guard	\$ 19.30	\$ 63.32
973AA-BIO	BioWall Antibacterial rubber, white	Finger Guard	\$ 19.24	\$ 63.09
973BK-BIO	BioWall Antibacterial rubber, white	Finger Guard	\$ 26.74	\$ 87.68
973D-BIO	BioWall Antibacterial rubber, white	Finger Guard	\$ 26.74	\$ 87.68
973G-BIO	BioWall Antibacterial rubber, white	Finger Guard	\$ 26.74	\$ 87.68
974AA-BIO	BioWall Antibacterial rubber, white	Finger Guard	\$ 16.00	\$ 52.48
974BK-BIO	BioWall Antibacterial rubber, white	Finger Guard	\$ 22.35	\$ 73.33
974D-BIO	BioWall Antibacterial rubber, white	Finger Guard	\$ 22.35	\$ 73.33
974G-BIO	BioWall Antibacterial rubber, white	Finger Guard	\$ 22.35	\$ 73.33
1370A	Aluminum with Neoprene	Gasketing	\$ 10.86	\$ 35.64
1370BK	Black Anodized / Neoprene	Gasketing	\$ 14.52	\$ 47.65
1370D	Dark Bronze Anodized / Neoprene	Gasketing	\$ 14.52	\$ 47.65
1370G	Gold Anodized / Neoprene	Gasketing	\$ 14.52	\$ 47.65
1370N	.5" Wide-Five Finger Sponge Neoprene - Extrusion	Replacement Gasket	\$ 2.61	\$ 8.59
1545A	Aluminum Butt Threshold 2 1/2" (63.5)	Threshold	\$ 8.37	\$ 27.48
1545BK	Black Anodized Threshold 2 1/2" (63.5)	Threshold	\$ 26.17	\$ 85.87
1545D	Dark Bronze Anodized Threshold 2 1/2" (63.5)	Threshold	\$ 26.17	\$ 85.87
1545G	Gold Anodized Threshold 2 1/2" (63.5)	Threshold	\$ 26.17	\$ 85.87
1545B	Bronze Butt Threshold 2 1/2" (63.5)	Threshold	\$ 49.84	\$ 163.54

**Supplied without mounting holes.

PART NUMBER	DESCRIPTION	TYPE	LIST PRICE PER FOOT	LIST PRICE PER METER
1673A	Aluminum Butt Threshold 3" (76.2) Wide x 1/2" (12.7) High	Threshold	\$ 15.63	\$ 51.27
1673BK	Black Anod. Butt Threshold 3" (76.2) Wide x 1/2" (12.7) High	Threshold	\$ 21.31	\$ 69.89
1673D	Dark Bronze Anod. Butt Threshold 3" (76.2) Wide x 1/2" (12.7) High	Threshold	\$ 21.31	\$ 69.89
1673G	Gold Anod. Butt Threshold 3" (76.2) Wide x 1/2" (12.7) High	Threshold	\$ 21.31	\$ 69.89
1674A	Aluminum Threshold One Side Beveled 4" (101.6) x 1/2" (12.7) High	Threshold	\$ 22.05	\$ 72.36
1674BK	Black Anod. Threshold One Side Beveled 4" (101.6) x 1/2" (12.7) High	Threshold	\$ 30.00	\$ 98.41
1674D	Dark Bronze Anod. Threshold One Side Beveled 4" (101.6) x 1/2" (12.7) High	Threshold	\$ 30.00	\$ 98.41
1674G	Gold Anod. Threshold One Side Beveled 4" (101.6) x 1/2" (12.7) High	Threshold	\$ 30.00	\$ 98.41
1675A	Aluminum Threshold One Side Beveled 5" (127.0) x 1/2" (12.7) High	Threshold	\$ 25.45	\$ 83.52
1675BK	Black Anod. Threshold One Side Beveled 5" (127.0) x 1/2" (12.7) High	Threshold	\$ 34.54	\$ 113.27
1675D	Dark Bronze Anod. Threshold One Side Beveled 5" (127.0) x 1/2" (12.7) High	Threshold	\$ 34.54	\$ 113.27
1675G	Gold Anod. Threshold One Side Beveled 5" (127.0) x 1/2" (12.7) High	Threshold	\$ 34.54	\$ 113.27
1682A	Carpet Divider Threshold 1 3/4" (44.5)	Threshold	\$ 7.80	\$ 25.62
1682BK	Black Anod. Carpet Divider Threshold 1 3/4" (44.5)	Threshold	\$ 10.64	\$ 34.91
1682D	Dark Bronze Anod. Carpet Divider Threshold 1 3/4" (44.5)	Threshold	\$ 10.64	\$ 34.91
1682G	Gold Anod. Carpet Divider Threshold 1 3/4" (44.5)	Threshold	\$ 10.64	\$ 34.91
1682B	Bronze Carpet Divider 1 3/4" (44.5) x 1/2" (12.7)	Threshold	\$ 43.45	\$ 142.52
1684A	Aluminum Carpet Divider 4" (101.6)	Threshold	\$ 17.40	\$ 57.09
1684BK	Black Anod. Carpet Divider 4" (101.6)	Threshold	\$ 24.22	\$ 79.42
1684D	Dark Bronze Anod. Carpet Divider 4" (101.6)	Threshold	\$ 24.22	\$ 79.42
1684G	Gold Anod. Carpet Divider 4" (101.6)	Threshold	\$ 24.22	\$ 79.42
1685R**	Rubber Carpet Divider Threshold 2.5" (63.5)	Threshold	\$ 25.73	\$ 84.41
1686R**	Rubber Carpet Divider Threshold 1.813" (46.1)	Threshold	\$ 25.73	\$ 84.41
1840AA	Clear Anodized Interior Astragal - Neoprene	Meeting Stile	\$ 11.99	\$ 39.36
1840BK	Black Interior Astragal - Neoprene	Meeting Stile	\$ 16.23	\$ 53.26
1840D	Dark Bronze Interior Astragal - Neoprene	Meeting Stile	\$ 16.23	\$ 53.26
1840G	Gold Interior Astragal - Neoprene	Meeting Stile	\$ 16.23	\$ 53.26
2070A-10	Flood Barrier Shield 10" high	Flood Barrier	\$ 82.34	\$ 270.14
2070A-20	Flood Barrier Shield 20" high	Flood Barrier	\$ 148.20	\$ 486.25
2070A-24	Flood Barrier Shield 24" high	Flood Barrier	\$ 184.07	\$ 603.96
2070A-30	Flood Barrier Shield 30" high	Flood Barrier	\$ 226.61	\$ 743.52
2070A-36	Flood Barrier Shield 36" high	Flood Barrier	\$ 271.93	\$ 892.20
2070N	.25" x .625" Closed Cell Sponge Neoprene - Replacement Gasket U Shape Extrusion		\$ 3.93	\$ 12.88
2361AA**	Clear Anodized Ramp 3.94" (100.1) x .500" (12.7)	Threshold	\$ 13.89	\$ 45.62
2361BK**	Black Anodized Ramp 3.94" (100.1) x .500" (12.7)	Threshold	\$ 19.01	\$ 62.36
2361D**	Dark Bronze Anodized Ramp 3.94" (100.1) x .500" (12.7)	Threshold	\$ 19.01	\$ 62.36
2361G**	Gold Anodized Ramp 3.94" (100.1) x .500" (12.7)	Threshold	\$ 19.01	\$ 62.36
2673A**	Aluminum 3" (76.2) Traction Tread Nosing-Rubber	Threshold	\$ 27.00	\$ 88.58
2673BK**	Black Anod. 3" (76.2) Traction Tread Nosing-Rubber	Threshold	\$ 37.21	\$ 122.06
2673D**	Dark Bronze Anod. 3" (76.2) Traction Tread Nosing-Rubber	Threshold	\$ 37.21	\$ 122.06
2673G**	Gold Anod. 3" (76.2) Traction Tread Nosing-Rubber	Threshold	\$ 37.21	\$ 122.06
2673B**	Bronze 3" (76.2) Traction Tread Nosing - Rubber	Threshold	\$ 110.93	\$ 363.94
2676A**	Aluminum 6" (152.4) Traction Tread Nosing-Rubber	Threshold	\$ 50.87	\$ 166.90
2676BK**	Black Anod. 6" (152.4) Traction Tread Nosing-Rubber	Threshold	\$ 69.04	\$ 226.47

PART NUMBER	DESCRIPTION	TYPE	LIST PRICE PER FOOT	LIST PRICE PER METER
2676D**	Dark Bronze Anod. 6"(152.4) Traction Tread Threshold Nosing-Rubber		\$ 69.04	\$ 226.47
2676G**	Gold Anod. 6"(152.4) Traction Tread Nosing-Rubber	Threshold	\$ 69.04	\$ 226.47
3056FS-AA	Clear Anodized / Mortised Adjustable Astragal / Neoprene / Intumescent Fire Stop	Meeting Stile	\$ 41.32	\$ 135.61
3056FS-BK	Black Anodized / Mortised Adjustable / Neoprene / Intumescent Fire Stop	Meeting Stile	\$ 49.63	\$ 162.84
3056FS-D	Dark Bronze Anodized / Mortised Adjustable / Neoprene / Intumescent Fire Stop	Meeting Stile	\$ 49.63	\$ 162.84
3056FS-G	Gold Anodized / Mortised Adjustable Astragal / Neoprene / Intumescent Fire Stop	Meeting Stile	\$ 49.63	\$ 162.84
3150N	.27"X.071" Self Extinguishing T Shape EPDM rubber-Extrusion	Replacement Gasket	\$ 2.38	\$ 7.83
3365N	5/8" Wide Bottom Seal	Replacement Gasket	\$ 5.97	\$ 19.61
3544	Aluminum / Mortised / Brush	Door Sweep	\$ 8.12	\$ 26.60
3546	Aluminum / Mortised / Neoprene - FLO option available	Door Sweep	\$ 8.12	\$ 26.60
3551	Aluminum / Mortised Automatic Door Bottom Regular Duty	18 1/8"-36" (460-914) 36 1/8"-48" (917-1219) 48 1/8"-54" (1222-1371)	\$ 60.05 \$ 68.05 \$ 83.42	each each each
3552	Aluminum / Mortised / Regular Duty / Brush Automatic Door Bottom / Regular Duty	18 1/8"-36" (460-914) 36 1/8"-48" (917-1219) 48 1/8"-54" (1222-1371)	\$ 63.51 \$ 71.97 \$ 88.22	each each each
3557FS-AA	Clear Anodized / Mortised Adjustable Astragal / Silicone / Intumescent Fire Stop	Meeting Stile	\$ 41.32	\$ 135.61
3557FS-BK	Black Anodized / Mortised Adjustable Astragal / Silicone / Intumescent Fire Stop	Meeting Stile	\$ 49.63	\$ 162.84
3557FS-D	Dark Bronze Anodized / Mortised Adjustable Astragal / Silicone / Intumescent Fire Stop	Meeting Stile	\$ 49.63	\$ 162.84
3557FS-G	Gold Anodized / Mortised Adjustable Astragal / Silicone / Intumescent Fire Stop	Meeting Stile	\$ 49.63	\$ 162.84
3672A**	Aluminum 2"(50.8) Traction Tread Plate / Rubber	Threshold	\$ 16.37	\$ 53.66
3672BK**	Black Anod. 2"(50.8) Traction Tread Plate / Rubber	Threshold	\$ 22.04	\$ 72.30
3672D**	Dark Bronze Anod. 2"(50.8) Traction Tread Plate / Rubber	Threshold	\$ 22.04	\$ 72.30
3672G**	Gold Anod. 2"(50.8) Traction Tread Plate / Rubber	Threshold	\$ 22.04	\$ 72.30
3673A**	Aluminum 3"(76.2) Traction Tread Plate / Rubber insert	Threshold	\$ 24.25	\$ 79.57
3673BK**	Black Anod. 3"(76.2) Traction Tread Plate / Rubber insert	Threshold	\$ 33.33	\$ 109.32
3673D**	Dark Bronze Anod. 3"(76.2) Traction Tread Plate / Rubber insert	Threshold	\$ 33.33	\$ 109.32
3673G**	Gold Anod. 3"(76.2) Traction Tread Plate / Rubber insert	Threshold	\$ 33.33	\$ 109.32
3674A**	Aluminum 4"(101.6) Traction Tread Plate / Rubber insert	Threshold	\$ 32.45	\$ 106.46
3674BK**	Black Anod. 4"(101.6) Traction Tread Plate / Rubber insert	Threshold	\$ 43.81	\$ 143.66
3674D**	Dark Bronze Anod. 4"(101.6) Traction Tread Plate / Rubber insert	Threshold	\$ 43.81	\$ 143.66
3674G**	Gold Anod. 4"(101.6) Traction Tread Plate / Rubber insert	Threshold	\$ 43.81	\$ 143.66
3675A**	Aluminum 5"(127.0) Traction Tread Plate / Rubber insert	Threshold	\$ 39.71	\$ 130.26
3675BK**	Black Anod. 5"(127.0) Traction Tread Plate / Rubber insert	Threshold	\$ 54.48	\$ 178.67
3675D**	Dark Bronze Anod. 5"(127.0) Traction Tread Plate / Rubber insert	Threshold	\$ 54.48	\$ 178.67
3675G**	Gold Anod. 5"(127.0) Traction Tread Plate / Rubber insert	Threshold	\$ 54.48	\$ 178.67
3676A**	Aluminum 6"(152.4) Traction Tread Plate / Rubber / Photoluminescent Tread insert	Threshold	\$ 47.83	\$ 156.98
3676BK**	Black Anod. 6"(152.4) Traction Tread Plate / Rubber / Photoluminescent Tread insert	Threshold	\$ 63.75	\$ 209.08
3676D**	Dark Bronze Anod. 6"(152.4) Traction Tread Plate / Rubber / Photoluminescent Tread insert	Threshold	\$ 63.75	\$ 209.08

PART NUMBER	DESCRIPTION	TYPE	LIST PRICE PER FOOT	LIST PRICE PER METER
3676G**	Gold Anod. 6"(152.4) Traction Tread Plate / Rubber / Photoluminescent Tread insert	Threshold	\$ 63.75	\$ 209.08
3676N	24"X.175" Tread Rubber for Aluminum Thresholds - Extrusion	Replacement Gasket	\$ 3.24	\$ 10.64
3708AA	Clear Anodized / Magnet / Sound Trap	Gasketing	\$ 30.51	\$ 100.10
3708N	Closed Cell Neoprene, Black 1"(25.4) x 4"(10.2)	Gasketing	\$ 4.90	\$ 16.06
3709AA	Clear Anodized / Neoprene / Sound Trap	Gasketing	\$ 30.51	\$ 100.10
3709BK	Black Anodized / Neoprene / Sound Trap	Gasketing	\$ 39.59	\$ 129.86
3709D	Dark Bronze Anodized / Neoprene / Sound Trap	Gasketing	\$ 39.59	\$ 129.86
3709G	Gold Anodized / Neoprene / Sound Trap	Gasketing	\$ 39.59	\$ 129.86
3831A	Aluminum / Double Neoprene	Gasketing	\$ 11.27	\$ 36.96
4000B	Bronze Side Jamb without Return Flange 1 3/4"	Weather Stripping	\$ 11.79	\$ 38.69
4000Z	Zinc Side Jamb without Return Flange 1 3/4"	Weather Stripping	\$ 3.17	\$ 10.40
5000B	Bronze Side Jamb without Return Flange	Weather Stripping	\$ 13.81	\$ 45.32
5000Z	Zinc Side Jamb without Return Flange	Weather Stripping	\$ 4.40	\$ 14.44
5831AA	Clear Anodized / Silicone / PSA	Gasketing	\$ 6.11	\$ 20.04
5831BK	Black Anodized / Silicone / PSA	Gasketing	\$ 7.63	\$ 25.05
5831D	Dark Bronze Anodized / Silicone / PSA	Gasketing	\$ 7.63	\$ 25.05
5831G	Gold Anodized / Silicone / PSA	Gasketing	\$ 7.63	\$ 25.05
5831FS-AA	Clear Anodized / Silicone / Intumescent / PSA	Gasketing	\$ 8.87	\$ 29.08
5831FS-BK	Black Anod. / Silicone Intumet / PSA	Gasketing	\$ 10.60	\$ 34.76
5831FS-D	Dark Bronze Anodized / Silicone Intumet / PSA	Gasketing	\$ 10.60	\$ 34.76
5831FS-G	Gold Anodized / Silicone / Intumescent / PSA	Gasketing	\$ 10.60	\$ 34.76
5831S-BK	.36" Wide Lip and Bulb Seal - Silicone - Black	Replacement Gasket	\$ 5.85	\$ 19.21
5832AA	Clear Anodized / Brush / PSA	Gasketing	\$ 6.28	\$ 20.61
5832BK	Black Anodized / Poly Brush / PSA	Gasketing	\$ 7.63	\$ 25.05
5832D	Dark Bronze Anodized / Poly Brush / PSA	Gasketing	\$ 7.63	\$ 25.05
5832G	Gold Anodized / Poly Brush / PSA	Gasketing	\$ 7.63	\$ 25.05
5832FS-AA	Clear Anodized / Poly Brush / Intumescent / PSA	Gasketing	\$ 9.11	\$ 29.88
5832FS-BK	Black Anod. / Poly Brush / Intumescent / PSA	Gasketing	\$ 10.60	\$ 34.76
5832FS-D	Dark Bronze Anod. / Poly Brush / Intumescent / PSA	Gasketing	\$ 10.60	\$ 34.76
5832FS-G	Gold Anodized / Poly Brush / Intumescent	Gasketing	\$ 10.60	\$ 34.76
5833AA	Clear Anodized / Silicone / PSA	Gasketing	\$ 6.11	\$ 20.04
5833BK	Black Anodized / Silicone / PSA	Gasketing	\$ 7.63	\$ 25.05
5833D	Dark Bronze Anodized / Silicone / PSA	Gasketing	\$ 7.63	\$ 25.05
5833G	Gold Anodized / Silicone / PSA	Gasketing	\$ 7.63	\$ 25.05
6570A**	Aluminum Handicap 7"(177.8) x .500"(12.7)	Threshold	\$ 31.74	\$ 104.12
6570BK**	Black Anod. Handicap 7"(177.8) x .500"(12.7)	Threshold	\$ 43.10	\$ 141.37
6570D**	Dark Bronze Anod. Handicap 7"(177.8) x .500"(12.7)	Threshold	\$ 43.10	\$ 141.37
6570G**	Gold Anod. Handicap 7"(177.8) x .500"(12.7)	Threshold	\$ 43.10	\$ 141.37
6575A**	Aluminum Threshold 7.5" (190.5)	Threshold	\$ 35.89	\$ 117.72
6575BL**	Black Anod. Threshold 7.5" (190.5)	Threshold	\$ 49.51	\$ 162.40
6575D**	Dark Bronze Anod. Threshold 7.5" (190.5)	Threshold	\$ 49.51	\$ 162.40
6575G**	Gold Anod. Threshold 7.5" (190.5)	Threshold	\$ 49.51	\$ 162.40
6710A**	Aluminum Plate 10" (254.0)	Threshold	\$ 45.71	\$ 150.02
6710BL**	Black Anod. Plate 10" (254.0)	Threshold	\$ 62.75	\$ 205.82
6710D**	Dark Bronze Anod. Plate 10" (254.0)	Threshold	\$ 62.75	\$ 205.82
6710G**	Gold Anod. Plate 10" (254.0)	Threshold	\$ 62.75	\$ 205.82
7000B	Bronze / Adj. Interlocking w/ #7336 or 7337	Threshold	\$ 112.40	\$ 368.78
7332B	Bronze / Interlocking - Extension Leg	Threshold	\$ 56.23	\$ 184.51
7334B	Bronze / Adjustable Interlocking 4" (101.6)	Threshold	\$ 112.49	\$ 369.06
7335B	Bronze / Adjustable Interlocking 5"(127)	Threshold	\$ 140.61	\$ 461.32
7338B	Bronze / Adjustable Interlocking Thermal Break	Threshold	\$ 214.68	\$ 704.14
7350AA	Clear Anodized / Mortised Automatic Door Bottom for Sliding Doors	10"-18" (305-457) 18 1/8"-36" (460-914) 36 1/8"-48" (917-1219) 48 1/8"-54" (1222-1371) 54 1/8"-60" (1375-1524)	\$ 77.66 \$ 58.70 \$ 62.54 \$ 78.14 \$ 97.76	each each each each each
7700A*	Clear Anodized, Adjustable Sound Seal	Gasketing	\$ 30.44	\$ 99.85

*Comes standard with mitered corners when ordered a set. If ordering mitered corners as a set, please specify handing. If non-mitered corners is wanted, please specify and order as an individual stick length.
**Supplied without mounting holes.

PART NUMBER	DESCRIPTION	TYPE	LIST PRICE PER FOOT	LIST PRICE PER METER
7770BK*	Black Anod., Adjustable Sound Seal	Gasketing	\$ 38.87	\$ 127.51
7770D*	Dark Bronze Anod., Adjustable Sound Seal	Gasketing	\$ 38.87	\$ 127.51
7770G*	Gold Anodized, Adjustable Sound Seal	Gasketing	\$ 38.87	\$ 127.51
7770N	.32" Wide Elongated Bulb Seal - Neoprene	Replacement Gasket	\$ 3.09	\$ 10.15
8004N	Neoprene Kerf Seal	Gasketing	\$ 2.24	\$ 7.33
8042S-BK	Silicone Kerf Seal / Black / PSA	Gasketing	\$ 1.80	\$ 5.90
8043N	Neoprene Kerf Seal / Black	Gasketing	\$ 2.54	\$ 8.31
8047R	Replacement EPDM Rubber Seal for overhead door	Replacement Gasket	\$ 4.78	\$ 15.66
8048S-BK	Silicone Kerf Seal / Black	Gasketing	\$ 2.16	\$ 7.13
8049 R	EPDM Rubber Seal for Overhead Doors with Aluminum mounting strip	Gasketing	\$ 6.02	\$ 19.72
8052N	Kerf Sponge Seal	Gasketing	\$ 2.16	\$ 7.13
8053Q-BR	Kerf Foam Seal, Brown	Gasketing	\$ 2.31	\$ 7.55
8053Q-WH	Kerf Foam Seal, White	Gasketing	\$ 2.31	\$ 7.55
8054S-BK	Kerf Pressure Seal, Silicone Black ø .250"	Gasketing	\$ 2.88	\$ 9.46
8054S-WH	Kerf Pressure Seal, Silicone White ø .250"	Gasketing	\$ 2.88	\$ 9.46
8055S-BK	Kerf Pressure Seal, Silicone Black ø .375"	Gasketing	\$ 3.41	\$ 11.20
8056S-WH	Kerf Pressure Seal, Silicone White ø .438"	Gasketing	\$ 3.41	\$ 11.20
8136	Polycarbonate Seal / Brush .394"(10)	Meeting Stile	\$ 8.16	\$ 26.74
8136P-GY	.188" x .250 Woven Pile with Fin - Gray	Replacement Gasket	\$ 2.18	\$ 7.19
8137	Polycarbonate Seal / Brush .472"(12)	Meeting Stile	\$ 8.28	\$ 27.17
8138	Polycarbonate Seal / Brush .590"(15)	Meeting Stile	\$ 9.50	\$ 31.18
8144S-BK	Silicone / Batwing Type / Black / PSA	Gasketing	\$ 3.10	\$ 10.18
8144S-WH	Silicone / Batwing Type / White / PSA	Gasketing	\$ 3.10	\$ 10.18
8144FS	Intumescent Batwing Type Seal / PSA	Gasketing	\$ 4.20	\$ 13.79
8145S-BK	Silicone / Black / PSA	Gasketing	\$ 1.97	\$ 6.48
8145S-BR	Silicone / Brown / PSA	Gasketing	\$ 1.97	\$ 6.48
8149AA	Clear Anodized / Brush / Mortised	Gasketing	\$ 6.86	\$ 22.48
8150S-BK	Silicone, black, PSA	Gasketing	\$ 2.31	\$ 7.57
8151AA	Aluminum / Neoprene	Door Sweep	\$ 7.09	\$ 23.58
8172N	Neoprene / PSA .250"(6.4) x .125"(3.2) - Minimum order 75'(22.8M) Roll UOM	Replacement Gasket	\$ 1.18	\$ 3.86
8191AA	Clear Anodized / Neoprene	Gasketing	\$ 6.80	\$ 22.34
8191BK	Black Anodized / Neoprene	Gasketing	\$ 9.33	\$ 30.62
8191D	Dark Bronze Anodized / Neoprene	Gasketing	\$ 9.33	\$ 30.62
8191G	Gold Anodized / Neoprene	Gasketing	\$ 9.33	\$ 30.62
8192AA	Clear Anodized / .625" long Brush	Door Sweep	\$ 5.24	\$ 17.20
8192BK	Black Anodized / .625" long Brush	Door Sweep	\$ 7.25	\$ 23.77
8192D	Dark Bronze Anodized / .625" long Brush	Door Sweep	\$ 7.25	\$ 23.77
8192G	Gold Anodized / .625" long Brush	Door Sweep	\$ 7.25	\$ 23.77
8192AA-PSA	Clear Anodized / Brush / Adhesive	Meeting Stile	\$ 6.78	\$ 22.25
8192BK-PSA	Black Anodized / Brush / Adhesive	Meeting Stile	\$ 7.88	\$ 25.86
8192D-PSA	Dark Bronze Anodized / Brush / Adhesive	Meeting Stile	\$ 7.88	\$ 25.86
8192G-PSA	Gold Anodized / Brush / Adhesive	Meeting Stile	\$ 7.88	\$ 25.86
8193AA	Clear Anodized / .375" long Brush	Door Sweep	\$ 4.93	\$ 16.19
8193BK	Black Anodized / .375" long Brush	Door Sweep	\$ 6.09	\$ 19.96
8193D	Dark Bronze Anodized / .375" long Brush	Door Sweep	\$ 6.09	\$ 19.96
8193G	Gold Anodized / .375" long Brush	Door Sweep	\$ 6.09	\$ 19.96
8193AA-PSA	Clear Anodized / .375" Brush / Adhesive	Meeting Stile	\$ 6.48	\$ 21.24
8193BK-PSA	Black Anod. / .375" Brush / Adhesive	Meeting Stile	\$ 7.70	\$ 25.25
8193D-PSA	Dark Bronze Anod. / .375" Brush / Adhesive	Meeting Stile	\$ 7.70	\$ 25.25
8193G-PSA	Gold Anod. / .375" Brush / Adhesive	Meeting Stile	\$ 7.70	\$ 25.25
8193P	Replacement Pile Brush for 8193 - 10'6" lengths only.	Replacement Gasket	\$ 3.45	\$ 11.33
8194AA	Clear Anodized / Neoprene Lip / Adhesive	Door Sweep	\$ 4.93	\$ 16.19
8194BK	Black Anodized / Neoprene Lip	Door Sweep	\$ 6.09	\$ 19.96
8194D	Dark Bronze Anodized / Neoprene Lip	Door Sweep	\$ 6.09	\$ 19.96
8194G	Gold Anodized / Neoprene Lip	Door Sweep	\$ 6.09	\$ 19.96
8194AA-PSA	Clear Anodized / Neoprene Lip / Adhesive	Meeting Stile	\$ 6.48	\$ 21.24
8194BK-PSA	Black Anod. / Neoprene Lip / Adhesive	Meeting Stile	\$ 7.70	\$ 25.25
8194D-PSA	Dark Bronze Anod. / Neoprene Lip / Adhesive	Meeting Stile	\$ 7.70	\$ 25.25
8194G-PSA	Gold Anod. / Neoprene Lip / Adhesive	Meeting Stile	\$ 7.70	\$ 25.25
8194N	.53" Long Lip Seal - EPDM	Replacement Gasket	\$ 2.67	\$ 8.78
8195AA	Clear Anodized / Neoprene Lip	Meeting Stile	\$ 6.11	\$ 20.04
8195BK	Black Anodized / Neoprene Lip	Meeting Stile	\$ 8.38	\$ 27.49
8195D	Dark Bronze Anodized / Neoprene Lip	Meeting Stile	\$ 8.38	\$ 27.49
8195G	Gold Anodized / Neoprene Lip	Meeting Stile	\$ 8.38	\$ 27.49

PART NUMBER	DESCRIPTION	TYPE	LIST PRICE PER FOOT	LIST PRICE PER METER
8195AA-PSA	Clear Anodized / Neoprene Lip / Adhesive	Meeting Stile	\$ 8.01	\$ 26.29
8195BK-PSA	Black Anodized / Neoprene Lip / Adhesive	Meeting Stile	\$ 11.12	\$ 36.50
8195D-PSA	Dark Bronze Anodized / Neoprene Lip / Adhesive	Meeting Stile	\$ 11.12	\$ 36.50
8195G-PSA	Gold Anodized / Neoprene Lip / Adhesive	Meeting Stile	\$ 11.12	\$ 36.50
8197AA	Clear Anodized Drip Cap / Neoprene	Door Sweep	\$ 6.55	\$ 21.51
8197BK	Black Anodized Drip Cap / Neoprene	Door Sweep	\$ 8.99	\$ 29.49
8197D	Dark Bronze Anodized Drip Cap / Neoprene	Door Sweep	\$ 8.99	\$ 29.49
8197G	Gold Anodized Drip Cap / Neoprene	Door Sweep	\$ 8.99	\$ 29.49
8197N	1.063" Tapered Lip Seal - EPDM	Replacement Gasket	\$ 4.45	\$ 14.57
8198AA	Clear Anodized Drip Cap / Brush Seal	Door Sweep	\$ 6.80	\$ 22.34
8198BK	Black Anodized Drip Cap / Brush	Door Sweep	\$ 9.33	\$ 30.62
8198D	Dark Bronze Anodized Drip Cap / Brush	Door Sweep	\$ 9.33	\$ 30.62
8198G	Gold Anodized Rain Drip / Brush	Door Sweep	\$ 9.33	\$ 30.62
8198P	.625" Nylon Brush	Replacement Gasket	\$ 4.83	\$ 15.88
8216S-BK	Pressure seal, silicone, black, PSA	Weather Stripping	\$ 1.61	\$ 5.06
8217S-BK	Silicone lips, black, PSA	Meeting Stile	\$ 1.61	\$ 5.06
8302AA	Clear Anodized & Neoprene Seal	Gasketing	\$ 3.36	\$ 11.01
8302BK	Black Anodized & Neoprene Seal	Gasketing	\$ 5.39	\$ 17.69
8302D	Dark Bronze Anodized & Neoprene Seal	Gasketing	\$ 5.39	\$ 17.69
8302G	Gold Anodized & Neoprene Seal	Gasketing	\$ 5.39	\$ 17.69
8302N	45 Degree LEG Seal - Neoprene	Replacement Gasket	\$ 2.29	\$ 7.50
8303AA	Clear Anodized & Neoprene Seal	Gasketing	\$ 3.36	\$ 11.01
8303BK	Black Anodized & Neoprene Seal	Gasketing	\$ 5.39	\$ 17.69
8303D	Dark Bronze Anodized & Neoprene Seal	Gasketing	\$ 5.39	\$ 17.69
8303G	Gold Anodized & Neoprene Seal	Gasketing	\$ 5.39	\$ 17.69
8303S-BK	1/4" Bulb Seal-Silicone	Replacement Gasket	\$ 1.63	\$ 5.35
8305AA	Clear Anodized with Brush	Gasketing	\$ 4.39	\$ 14.40
8305BK	Black Anodized with Brush	Gasketing	\$ 7.05	\$ 23.12
8305D	Dark Bronze Anodized with Brush	Gasketing	\$ 7.05	\$ 23.12
8305G	Gold Anodized with Brush	Gasketing	\$ 7.05	\$ 23.12
8353N	.469" Wide Open Bulb Seal-Neoprene	Replacement Gasket	\$ 3.80	\$ 12.46
8361Key	Locking Key for Automatic Door Bottom	General	\$ 3.73	Each
8452A	Wheel Chair Shower Threshold	Threshold	\$ 16.68	\$ 54.70
8452BK	Black Anod. Wheel Chair Shower Threshold	Threshold	\$ 22.93	\$ 75.21
8452D	Dark Bronze Anod. Wheel Chair Shower Threshold	Threshold	\$ 22.93	\$ 75.21
8452G	Gold Anod. Wheel Chair Shower Threshold	Threshold	\$ 22.93	\$ 75.21
8452N	2" Wide Threshold Seal-EPDM Rubber	Replacement Gasket	\$ 7.29	\$ 23.94
8557S-BK	Silicone Double Lip Seal W/ Compressive Bulb	Replacement Gasket	\$ 4.24	\$ 13.91
8655A	Aluminum Handicap Threshold 5"(127)	Threshold	\$ 12.18	\$ 40.02
8655BK	Black Anod. Handicap Threshold 5"(127)	Threshold	\$ 16.74	\$ 54.91
8655D	Dark Bronze Anod. Handicap Threshold 5"(127)	Threshold	\$ 16.74	\$ 54.91
8655G	Gold Anod. Handicap Threshold 5"(127)	Threshold	\$ 16.74	\$ 54.91
8724A	Aluminum 5 5/8"(142.9). Thermal Break	Threshold	\$ 26.56	\$ 87.15
8724BK	Black Anod. 5 5/8"(142.9). Thermal Break	Threshold	\$ 36.78	\$ 120.64
8724D	Dark Bronze Anod. 5 5/8"(142.9). Thermal Break	Threshold	\$ 36.78	\$ 120.64
8724G	Gold Anod. 5 5/8"(142.9). Thermal Break	Threshold	\$ 36.78	\$ 120.64
8726A	Aluminum 7 5/8"(193.7). Thermal Break	Threshold	\$ 32.14	\$ 105.41
8726BK	Black Anod. 7 5/8"(193.7). Thermal Break	Threshold	\$ 43.48	\$ 142.60
8726D	Dark Bronze Anod. 7 5/8"(193.7). Thermal Break	Threshold	\$ 43.48	\$ 142.60
8726G	Gold Anod. 7 5/8"(193.7). Thermal Break	Threshold	\$ 43.48	\$ 142.60
8729A	Aluminum 6 5/8"(168.3). Thermal Break/Neoprene.	Threshold	\$ 35.81	\$ 117.48
8729BK	Black Anod. 6 5/8"(168.3). Thermal Break/Neoprene.	Threshold	\$ 48.31	\$ 158.47
8729D	Dark Bronze Anod. 6 5/8"(168.3). Thermal Break/Neoprene.	Threshold	\$ 48.31	\$ 158.47
8729G	Gold Anod. 6 5/8"(168.3). Thermal Break/Neoprene.	Threshold	\$ 48.31	\$ 158.47
8770N	Neoprene / PSA .500"(12.7) x .125"(3.2) , minimum order 75Ft.(22.8M) , order in UOM	Replacement Gasket	\$ 2.61	\$ 8.59
8780N	Neoprene / PSA 1"(25.4) x .094"(2.4)	Replacement Gasket	\$ 2.69	\$ 8.84
8800S-BK	Silicone Black Kerf Seal	Gasketing	\$ 2.96	\$ 9.70

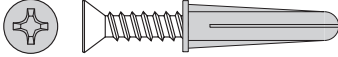
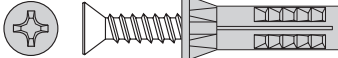

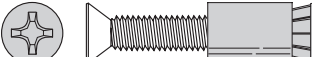

*Comes standard with mitered corners when ordered a set. If ordering mitered corners as a stick, please specify handing. If non-mitered corners is wanted, please specify and order as an individual stick length.
**Supplied without mounting holes.

PART NUMBER	DESCRIPTION	TYPE	LIST PRICE PER FOOT	LIST PRICE PER METER
8800S-WH	Silicone White Kerf Seal	Gasketing	\$ 2.96	\$ 9.70
8810S-BK	Silicone Black Kerf Seal	Gasketing	\$ 2.54	\$ 8.31
8810S-WH	Silicone White Kerf Seal	Gasketing	\$ 2.54	\$ 8.31
8812S-BK	Silicone Black Kerf Seal	Gasketing	\$ 4.49	\$ 14.68
8812S-WH	Silicone White Kerf Seal	Gasketing	\$ 4.49	\$ 14.68
8841R	Kerf Seal rubber, black	Gasketing	\$ 2.16	\$ 7.13
8877AA	Clear Anodized / Neoprene Seal	Gasketing	\$ 6.36	\$ 20.85
8877BK	Black Anodized / Neoprene Seal	Gasketing	\$ 8.86	\$ 29.05
8877D	Dark Bronze Anodized / Neoprene Seal	Gasketing	\$ 8.86	\$ 29.05
8877G	Gold Anodized / Neoprene Seal	Gasketing	\$ 8.86	\$ 29.05
8878AA	Clear Anodized / Silicone Seal	Gasketing	\$ 6.11	\$ 20.04
8878BK	Black Anodized / Silicone Seal	Gasketing	\$ 8.49	\$ 27.85
8878D	Dark Bronze Anodized / Silicone Seal	Gasketing	\$ 8.49	\$ 27.85
8878G	Gold Anodized / Silicone Seal	Gasketing	\$ 8.49	\$ 27.85
8878BIO-BR	.36" Wide Snap-on Cover-Silicone-BIO, Brown	Replacement Gasket	\$ 2.61	\$ 8.59
8879AA	Clear Anodized / Brush Seal	Gasketing	\$ 6.88	\$ 22.56
8879BK	Black Anodized / Brush Seal	Gasketing	\$ 9.60	\$ 31.51
8879D	Dark Bronze Anodized / Brush Seal	Gasketing	\$ 9.60	\$ 31.51
8879G	Gold Anodized / Brush Seal	Gasketing	\$ 9.60	\$ 31.51
8879AA-PSA	Clear Anodized / Brush Seal / Adhesive	Meeting Stile	\$ 7.74	\$ 25.36
8879BK-PSA	Black Anodized / Brush Seal / Adhesive	Meeting Stile	\$ 10.74	\$ 35.23
8879D-PSA	Dark Bronze Anodized / Brush Seal / Adhesive	Meeting Stile	\$ 10.74	\$ 35.23
8879G-PSA	Gold Anodized / Brush Seal / Adhesive	Meeting Stile	\$ 10.74	\$ 35.23
8880AA	Clear Anodized frame, acoustical	Gasketing	\$ 12.26	\$ 40.19
8880D	Dark Bronze Anodized frame, acoustical	Gasketing	\$ 14.72	\$ 48.27
9131-PSA	PVC Bumper, PSA, .750"x.188"	Weather Stripping	\$ 5.03	\$ 16.51
9137-PSA	PVC/Neoprene for Sliding Glass Doors	Weather Stripping	\$ 12.57	\$ 41.23
9137S-CL	.906" Tall Silicone Lip Seal	Replacement Gasket	\$ 4.99	\$ 16.35
9495Tape	3M Double-coated Clear Tape - .250" wide - General 180' (54.9M) Roll, Minimum Order and UOM		\$ 31.64	each
3062375PSA	FS3003 Intumet 1/16" (1.6) x 3/8" (9.5)	Intumescent	\$ 1.95	\$ 6.39
3062500PSA	FS3003 Intumet 1/16" (1.6) x 1/2" (12.7)	Intumescent	\$ 2.10	\$ 6.88
3062750PSA	FS3003 Intumet 1/16" (1.6) x 3/4" (19.1)	Intumescent	\$ 2.60	\$ 8.62
30621000PSA	FS3003 Intumet 1/16" (1.6) x 1" (25.4)	Intumescent	\$ 3.46	\$ 11.49
30621750PSA	FS3003 Intumet 1/16" (1.6) x 1 3/4" (44.5)	Intumescent	\$ 4.76	\$ 15.61

PART NUMBER	DESCRIPTION	TYPE	LIST PRICE PER FOOT	LIST PRICE PER METER
30622000PSA	FS3003 Intumet 1/16" (1.6) x 2" (50.8)	Intumescent	\$ 5.44	\$ 17.88
3125375PSA	FS3003 Intumet 1/8" (3.2) x 3/8" (9.5)	Intumescent	\$ 2.64	\$ 8.62
3125500PSA	FS3003 Intumet 1/8" (3.2) x 1/2" (12.7)	Intumescent	\$ 3.52	\$ 11.49
3125625PSA	FS3003 Intumet 1/8" (3.2) x 5/8" (15.9)	Intumescent	\$ 4.33	\$ 14.12
3125750PSA	FS3003 Intumet 1/8" (3.2) x 3/4" (19.1)	Intumescent	\$ 4.54	\$ 15.01
31251000PSA	FS3003 Intumet 1/8" (3.2) x 1" (25.4)	Intumescent	\$ 5.56	\$ 18.30
31252000PSA	FS3003 Intumet 1/8" (3.2) x 2" (50.8)	Intumescent	\$ 8.65	\$ 28.10
3250375PSA	FS3003 Intumet 1/4" (6.4) x 3/8" (9.5)	Intumescent	\$ 4.64	\$ 15.18
3250500PSA	FS3003 Intumet 1/4" (6.4) x 1/2" (12.7)	Intumescent	\$ 5.62	\$ 18.52
3250750PSA	FS3003 Intumet 1/4" (6.4) x 3/4" (19.1)	Intumescent	\$ 7.51	\$ 24.59
32501000PSA	FS3003 Intumet 1/4" (6.4) x 1" (25.4)	Intumescent	\$ 9.27	\$ 30.22
32502000PSA	FS3003 Intumet 1/4" (6.4) x 2" (50.8)	Intumescent	\$ 14.09	\$ 45.97
4062375PSA	FS4004 Intumet 1/16" (1.6) x 3/8" (9.5)	Intumescent	\$ 1.95	\$ 6.39
4062500PSA	FS4004 Intumet 1/16" (1.6) x 1/2" (12.7)	Intumescent	\$ 2.10	\$ 6.81
4062750PSA	FS4004 Intumet 1/16" (1.6) x 3/4" (19.1)	Intumescent	\$ 2.60	\$ 8.62
40621000PSA	FS4004 Intumet 1/16" (1.6) x 1" (25.4)	Intumescent	\$ 3.46	\$ 11.49
40622000PSA	FS4004 Intumet 1/16" (1.6) x 2" (50.8)	Intumescent	\$ 5.44	\$ 17.88
4125375PSA	FS4004 Intumet 1/8" (1.6) x 3/8" (9.5)	Intumescent	\$ 2.64	\$ 8.62
4125500PSA	FS4004 Intumet 1/8" (1.6) x 1/2" (12.7)	Intumescent	\$ 3.52	\$ 11.49
4125750PSA	FS4004 Intumet 1/8" (1.6) x 3/4" (19.1)	Intumescent	\$ 4.54	\$ 15.01
41251000PSA	FS4004 Intumet 1/8" (1.6) x 1" (25.4)	Intumescent	\$ 5.56	\$ 18.30
41252000PSA	FS4004 Intumet 1/8" (1.6) x 2" (50.8)	Intumescent	\$ 8.65	\$ 28.10
4250375PSA	FS4004 Intumet 1/4" (6.4) x 3/8" (9.5)	Intumescent	\$ 4.64	\$ 15.18
4250500PSA	FS4004 Intumet 1/4" (6.4) x 1/2" (12.7)	Intumescent	\$ 5.62	\$ 18.52
4250750PSA	FS4004 Intumet 1/4" (6.4) x 3/4" (19.1)	Intumescent	\$ 7.51	\$ 24.59
42501000PSA	FS4004 Intumet 1/4" (6.4) x 1" (25.4)	Intumescent	\$ 9.27	\$ 30.22
42502000PSA	FS4004 Intumet 1/4" (6.4) x 2" (50.8)	Intumescent	\$ 14.09	\$ 45.97
2950	Stainless Steel Cam Lift - Handed - (32D) 5" (127) x 4.5" (114.3) x .250" (6.4)	Cam Lift Hinge	\$ 222.27	each
2953	Stainless Steel Cam Lift - Handed - (32D) 5" (127) x 4.5" (114.3) x .180" (4.6)	Cam Lift Hinge	\$ 144.51	each
2955	Stainless Steel Cam Lift - Handed - (32D) 4.5" (114.3) x 4.5" (114.3) x .134" (3.4)	Cam Lift Hinge	\$ 118.55	each
29500	Stainless Steel Cam Lift - Handed (32D) 5" (127) x 4.5" (114.3) x .250" (6.4)	Cam Lift Hinge	\$ 247.11	each

REPLACEMENT PARTS/EXTRAS

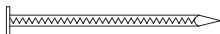
EXPANSION SHIELD/ ANCHORS

Model	Description		Part Number	Pkg Quantity	List price
#221	Plastic Shield with #10 x 1-1/4" (or 1-1/2", 1-3/4") Flat Phillips SMS		47257389	4	\$2.85 / pack
#222	Lead Shield with #10 x 1-1/4" (or 1-1/2", 1-3/4") Flat Phillips SMS		47257390	4	\$2.89 / pack
#223	MSLA-10 Anchor with #10-24 x 1-1/2" Flat Phillips Machine Screw		47257391	4	\$6.75 / pack
#224	MSLA-4 Anchor with #1/4-20 x 1-1/2" Flat Phillips Machine Screw		47257392	4	\$6.75 / pack
#226	Stainless Steel Sleeve Anchor		47257393	4	\$20.51 / pack

ANCHOR QUANTITIES BY THRESHOLD LENGTH

Model	<= 41"	>41" and <= 85"	>85" and <= 126"	>126" and <= 170"	>170" and <= 210"	>210"
525, 526, 624, 625, 626, 8726, 7336, 7337, 7338	8	16	24	32	40	48
8729	12	20	28	36	44	52
All Other	4	8	12	16	20	24

NAILS



Model	Description	Part Number	List price
16	7/8" (22.2) Zinc Plated Flathead Steel Nail	47264927	\$34.84 /lb.

(Note: 1 lb. contains ~1300 pcs. Minimum order 1lb.)

SECURITY SCREWS

Torx screws for D, BK, G finished products are available upon request, CALL for price. Security screws for A/AA/SP/STST finish products in chart below.

Models	Category	Part Number	Finish	Details	List Price
11, 31, 32, 33, 39, 44, 47, 50, 52, 53, 55, 72, 95, 96, 98, 99, 100, 110, 111, 139, 140, 141, 142, 153, 154, 155, 254, 255, 270, 272, 312, 314, 318, 322, 326, 328, 329, 339, 376, 381, 429, 452, 470, 472, 475, 477, 478, 485, 539, 555, 570, 712, 870, 871, 873, 905, 1370, 3709, 8049, 8149, 8151, 8191, 8192, 8193, 8194, 8195, 8197, 8198, 8302, 8303, 8305, 8877, 8878, 8879, 111FS, 302FS, 328FS, 339FS, 339W, 39W, 50M, 555FS, 55FS, 639W, 973BIO, 511, 51, 951, 972BIO	HNJ AND FG	47259852	A OR AA	QUANTITY 12 #6X1 BUTTON SEC TORX SMS, CLEAR ZP	\$16.22
170, 770, 770FS, 7770	ADJ	47259939	AA, SP, OR STST	QUANTITY 19 #8X1-1/2" FLAT SEC TORX SMS, CLR ZP	\$19.47
383, 383FS	STILES	47259975	AA	QUANTITY 10 #8X3/4" FLAT SEC TORX SMS, CLR ZP	\$10.82
352, 362, 366, 368	ADB	47259741	AA	QUANTITY 11 #8X1-1/2" FLAT SEC TORX SMS, CLR ZP	\$10.82
321, 351, 361, 365, 367	ADB	47259744	AA	QUANTITY 11 #8X1-1/2" BUTTON SEC TORX SMS, CLR ZP	\$37.85

END CAP SETS

Models	Part Number	Details	Finish	List price
Z49: 360, 364, 369	47252145	2 Endcaps and 8 Screws	USP	\$12.79
321A	47253671	4 Endcaps and 2 Screws for Both Handings	A	\$5.90
321	47253671-695	4 Endcaps and 2 Screws for Both Handings	G, D, BK	\$5.90
320, 323	47251270	2 Endcaps and 4 Screws	AA	\$5.90
350, 360, 364, 369	47251371	2 Endcaps and 4 Screws	AA	\$5.90
351, 352	47251332	2 Endcaps and 4 Screws	AA	\$5.90
351, 352	47251332-695	2 Endcaps and 4 Screws	D, BK	\$5.90
361, 362, 365, 366, 367, 368	47251383	2 Endcaps and 4 Screws	AA	\$5.90
361, 362, 365, 366, 367, 368	47251383-695	2 Endcaps and 4 Screws	D, BK	\$5.90
141 Rain Drip: 362, 366, 368	47253705	2 Endcaps and 4 Screws	All Finishes	\$6.15
477	47255366	2 End Caps and 4 Screws	A, AA	\$5.68

SCREW PACKS- ADBS

Models	Category	Part Number	Finish	Details	List Price
320, 323, 350, 355, 360, 364, 369, 3551, 3552	ADB	47253854	AA	22 Screws #6 x 3/4" PPHSDS	\$4.33
321, 351, 361, 365, 367 up to 108"	ADB	47253868-00	AA	11 Screws #8 x 1-1/2" Truss PHSMS ZP	\$4.33
321, 351, 361, 365, 367 up to 108"	ADB	47253868-34	G	11 Screws #8 x 1-1/2" Truss PHSMS Gold ZP	\$32.45
321, 351, 361, 365, 367 up to 108"	ADB	47253868-695	D, BK	11 Screws #8 x 1-1/2" Truss PHSMS Black ZP	\$4.33
352, 362, 366, 368	ADB	47257743	AA	4- #8 x 1-1/2" Flat Torx SMS, ZP	\$4.33
352, 362, 366, 368	ADB	47253866-00	AA	11 Screws #8 x 1-1/2" FPHSMS	\$4.33
352, 362, 366, 368 up to 108"	ADB	47253866-34	G	11 Screws #8 x 1-1/2" FPHSMS - Gold ZP	\$32.45
352, 362, 366, 368 up to 108"	ADB	47253866-695	D, BK	11 Screws #8 x 1-1/2" FPHSMS - Black ZP	\$4.33

www.zerointernational.com

REPLACEMENT PARTS/EXTRAS

SCREW PACKS- HEAD AND JAMB

Models	Category	Part Number	Finish	Details	List Price
170, 770, 770G, 770SP, 770STST	Head & Jamb	47254760	AA	19 Screws #8x1-1/2" FPHSMS, ZP	\$4.33
170D, 770D, 770DG	Head & Jamb	47254761	D, BK	19 Screws #8x1-1/2" FPHSMS, BLACK ZP	\$5.41
170G, 770G, 770GG	Head & Jamb	47254762	G	19 Screws #8x1-1/2" FPHSMS, BRASS PLATE	\$70.30
11, 31, 32, 33, 39, 39W, 44STST, 47, 50, 50MA, 52, 53, 55, 55FS, 72, 95, 96, 98, 99, 100, 110, 111, 111FS, 139, 140, 140FS, 141, 142, 153, 154, 155, 253, 253FS, 254, 255, 270, 272, 302FS, 312, 314, 314PVC, 318, 322, 326, 326PVC, 328, 328PVC (AA OR A finish screw), 328FS, 329, 329PVC, 339, 339W, 339FS, 339PVC (AA or A finish screw), 376, 376D (AA finish screw), 381, 452, 470, 472, 475, 475D (gets AA finish screw), 475G (gets AA finish screw), 478, 478D (gets AA finish screw), 477, 477D (AA finish screw), 477G (AA finish screw), 485, 511, 539, 555, 555FS, 570, 639WA, 712, 870, 871, 873, 905, 1370, 3544, 3546, 3709, 8049R, 8149, 8151, 8191, 8192, 8193, 8194, 8195, 8197, 8198, 8302, 8303, 8305, 8877, 8878, 8879	Head & Jamb	47254768	AA, A	6 Screws #6x1 PPHSDS	\$4.50
11, 31, 32, 33, 142, 302FS, 314, 326, 328, 329, 339, 339FS, 339W, 485, 8197, 8198	Head & Jamb	47254769	D, BK	6 Screws #6x1 PPHSDS, BLACK ZP	\$9.00
314, 302FS, 326, 328, 485, 31, 32, 33, 339, 339W, 328, 329, 8197, 339FS, 8198, 11, 142	Head & Jamb	47254770	G, B	6 Screws #6x1 PPHSDS, BRASS PLATE	\$4.50
41, 1840	Head & Jamb	47254801	AA, D, BK, G	10 Screws #6x3/4" FPHSMS, 10 SCREWS #6x3/4" FPHSMS Dark Bronzefinish, and 10 Screws #6x3/4" Gold Finish	\$21.63
429	Head & Jamb	47254804	A	6 Screws #10x3/4" PPHSDMS	\$3.20
43SP, 43STST	Head & Jamb	47254805	All Finishes	11 1/4-20X1 FPHMS, 11 1/4-20 Sex Bolts 1" Long, and 4 #10 x 3/4" PPHSDS	\$30.28
521FS	Head & Jamb	47254806	All Finishes	6 - Flanged #10 C-Sink Washer	\$4.33
383, 383FS	Head & Jamb	47254807	AA, D	10 - #8 x 3/4" FPHSMS and 10 #8 x 3/4" FPHSMS Black ZP	\$4.33
51A-90, 51A-120, 51A-180, 951, 971AA-BIO, 972AA-BIO, 974AA-BIO, 973AA-BIO,	Head & Jamb	47254808	A or AA	10 - #6x3/4" PPHSMS	\$4.33
56, 156, 557	Head & Jamb	47257629	All Finishes	20 - 8-32x5/8 OPHMS Steel ZP	\$21.63

SCREW PACKS - THRESHOLDS

Models	Category	Part Number	Finish	Details	List Price
All "A" or "AA" Finish Thresholds and 93A	Threshold	47254099	A, AA	4 Screws #10X1-1/2 FPHSMS	\$4.33
All "D" or "BK" Finish Thresholds	Threshold	47254100	D, BK	4 Screws #10X1-1/2 FPHSMS Black ZP	\$4.33
All "B" or "G" Finish Thresholds	Threshold	47254101	B, G	4 Screws #10X1-3/4 FPHWS Brass	\$11.90
All "STST" Finish Thresholds	Threshold	47254102	STST	4 Screws #10X1-1/4 FPHSMS S.S.	\$4.33
Any Brass Threshold	Threshold	47257628	B	4 - #10X1-1/2" FPHWS, Brass	\$7.03
All - ORB Finish Thresholds	Threshold	47254101-10B	B-ORB	4 Screws #10X1-3/4 FPHWS Brass, Oil Rubbed	\$17.30

SCREW PACKS - OTHER

Models	Category	Part Number	Finish	Details	List Price
2070A	Flood Barrier	47255200	A	10 - 7/6" Locking Plug, 16 - Thumb Screw Assemblies, 10 - #10x1-1/2" FPHSMS, and 10 - Plastic Anchors	\$64.89
328SPB, 770SPB, 870SPB	Strike Plate	47255358	All Finishes	3 - #12 x 1-1/4" FPHSMS S.S.	\$4.33
4B, 4Z, 5B, 5Z, 18B, 19B, 19WB, 23B, 400B, 400Z, 500B, 500Z, 4000B, 4000Z, 5000B, 5000Z	Weatherstripping	47253928	All Finishes	10 Nails #16x7/8" AND 10 5/16 Waferhead Drive Screws	\$4.33
Z950, Z953	Hinge	47253874	AA	8 Screws #12x3/4" FPHSMS S.S. and 8 Screws 12-24x3/4" UFPHMS S.S.	\$6.84
Z9500	Hinge	47253876	AA	8 Screws 5/16-18x3/4" FPHMS S.S.	\$5.41
Z955	Hinge	47253873	AA	8 Screws #12x1-1/4" FPHSMS S.S. and 8 Screws 12-24x3/4" UFPHMS S.S.	\$17.82



Zero International - Custom Bulkhead Template

Company Name: _____

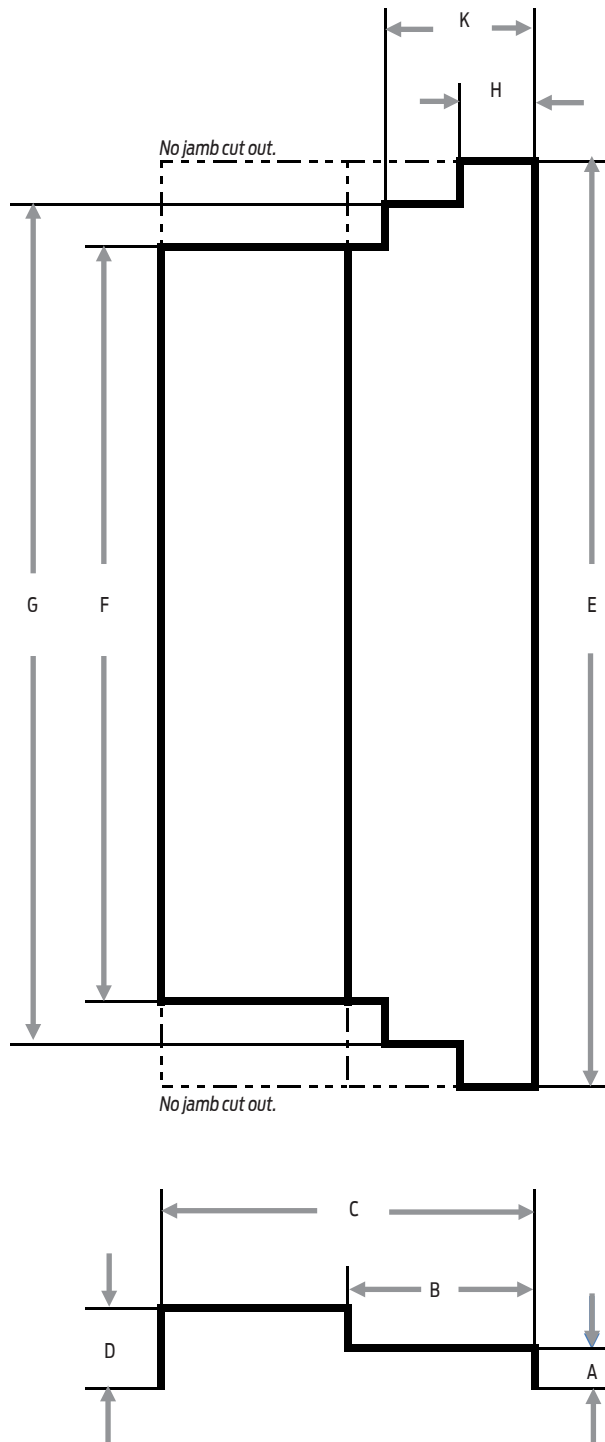
Contact: _____

Phone: _____

Email: _____

Purchase Order #: _____

Email to: Zero.Customer.Support@Allegion.com or Fax to: (800)851-0000



Please complete Qty.

Product	Desc.	Qty.
669A	Aluminum	
669S	Steel	
669STST	Stainless	

Please complete dimensions in inches or mm.

Must complete A-E, F-K optional if required.

	Dimension	Inches "	MM
Rectangular - No jamb cut outs	A minimum dimension 1"		
	B		
	C		
	D Can only be 1" greater than A		
	E		
Jamb Cut Outs	F		
	G		
	H		
	K		

About Allegion

Allegion (NYSE: ALLE) creates peace of mind by pioneering safety and security. As a \$2 billion provider of security solutions for homes and businesses, Allegion employs more than 7,800 people and sells products in more than 120 countries across the world. Allegion comprises 23 global brands, including strategic brands CISA®, Interflex®, LCN®, Schlage® and Von Duprin®.

For more, visit www.allegion.com

KRYPTONITE ■ LCN ■  ■ STEELCRAFT ■ VON DUPRIN