



OVERHEAD HOLDERS/STOPS
ELECTRO-MAGNETIC HOLDERS
HOSPITAL PUSH/PULLS
PIVOTS/PIVOT SETS
ALUMINUM CONTINUOUS GEAR HINGES
S.S. PIN & BARREL CONTINUOUS HINGES
RESCUE HARDWARE • DOUBLE-LIPPED STRIKES
COORDINATORS • ROLLER LATCHES • FLUSH BOLTS
CUSTOM STRIKES & HARDWARE

Price List #8

Effective April 1, 2010

Supersedes all previous price lists

ARCHITECTURAL BUILDERS HARDWARE MFG., INC.
1222 Ardmore Avenue • Itasca, Illinois 60143
Call: 630.875.9900 • Fax Toll Free: 800.9FAXABH (932.9224)
www.abhmfg.com • e-mail: abhinfo@abhmfg.com

PRICES: List prices are effective on the date appearing on the cover and are subject to change without notice. Prices shown herein are subject to discounts in effect at the time orders are acknowledged in writing. Errors or omissions are subject to correction.

FREIGHT: All merchandise is shipped F.O.B. factory. Full freight allowed within the continental United States on any order of \$750.00 net or more by the route of our choice except hinges which require \$1,500. Orders combining hinges and other products will be freight prepaid at \$2,000 net. (Alaska and Hawaii will be prepaid to Seattle, WA, and San Francisco, CA respectively). Any discrepancies must be reported immediately upon receipt of goods.

TERMS: 2% - 10 days, net 30. Invoices will be due for 2% discount 10 days following the date of the invoice. Payment of all invoices is due 30 days from date of invoice.

1-1/2% may be charged on all accounts 30 days past due (18% per year). All deductions must be taken out before discount. No discount on freight.

MINIMUM ORDERS: No minimum order or charges, NO ORDER IS A SMALL ORDER. All orders are subject to availability of materials, labor, accidents or other causes beyond our control and we shall be relieved from responsibility for delay or failure of delivery arising out of such cases.

ORDER CANCELLATION POLICY: No orders can be cancelled after three days of order being entered.

PRODUCT CHANGES: ABH reserves the right to make changes or improvements in design, material, parts or specifications, and "discontinue" without notice at any time.

LIMITED WARRANTY: Architectural Builders Hardware Mfg., Inc. warrants that its products sold in the United States of America under "ABH" assumed name are free from defects in material or workmanship under normal use and service for a period of one year from the date of shipment.

Repair or replacement of defective products during this period shall be the only remedy under the warranty. This warranty does not cover defects or damage as a result of improper use or maintenance, vandalism, abuse, accident, ordinary wear and tear or shipping and handling.

RETURN: ABH will not accept the return of any goods without our written consent. Transportation charges on returned goods must be prepaid. Goods returned will be subject to inspection and evaluation prior to the authorized acceptance of the return of any item.

All notices of intent to return goods shall be made in writing and delivered to ABH within 14 days of receipt of the material. All authorized returns shall be made within 30 days after authorization. We reserve the right to refuse acceptance of a product deemed not resaleable within 90 days of return.

Made-to-order products or special orders are not subject to return or cancellation once production has started.

CLAIMS: All claims as to defects, errors or shortages shall be reported to us in writing within 10 days from receipt of the material.

FINISHES

Type of Metal Finish	BHMA/ ANSI	ABH Code
Bright Brass	605	US3
Bright Brass No Lacquer	-	US3A
Satin Brass	606	US4
Bright Bronze	611	US9
Satin Bronze	612	US10
Satin Bronze, Oxidized & Oil Rubbed	613	US10B
Chromium Plating, Bright	625	US26
Chromium Plating, Satin	626	US26D

Type of Metal Finish	BHMA/ ANSI	ABH Code
Stainless Steel, Bright	629	US32
Stainless Steel, Satin	630	US32D
Cadmium Plated	602	US2C
Zinc Plated	603	US2G
Painted Aluminum	689	S1
Painted Brass	696	S2
Painted Bronze	691	S3
Painted Black	693	S4
Painted to match 10B	690	S5
Painted Primed	600	USP

Architectural Builders Hardware Mfg., Inc.

1222 Ardmore Ave.

Itasca, IL 60143

630.875.9900; FAX 800.9FAXABH (932.9224)

www.abhmfg.com

Makes Life Simple

ABH[®]

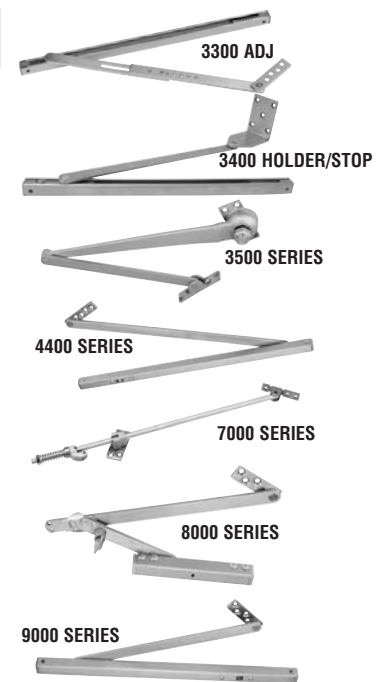
HOLDER/STOP



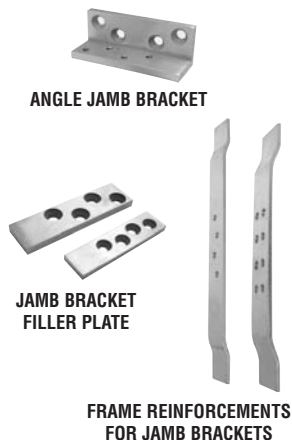
CONCEALED SERIES	Sprayed	US32D	US4, US10, US10B	US3, US32	US26D, 652
1000 SL Slim Line, Heavy Duty	202.00	202.00	274.00	289.00	202.00
N1000 SL ALL S.S. - Stop Only	340.00	320.00	398.00	420.00	320.00
1000 SL ADJ Slim Line, Adjustable Degree	233.00	233.00	298.00	329.00	233.00
1000 Heavy Duty	202.00	202.00	274.00	289.00	202.00
N1000 ALL S.S.	365.00	365.00	398.00	420.00	365.00
1000 ADJ Heavy Duty, Adjustable Degree	233.00	233.00	298.00	329.00	233.00
N1000 ADJ ALL S.S.	385.00	385.00	416.00	426.00	385.00
4000 Medium Duty	81.00	81.00	107.00	114.00	81.00
N4000 ALL S.S.	133.00	133.00	158.00	178.00	133.00

CONTACT FACTORY FOR OTHER FINISHES

SURFACE MOUNTED SERIES	Sprayed	US32D	US4, US10, US10B	US3, US32	US26D, 652
3300 ADJ Medium Duty, Adjustable Degree	117.00	117.00	130.00	146.00	117.00
N3300 ADJ ALL S.S.	163.00	163.00	205.00	228.00	163.00
3400 MEDIUM DUTY WITH SIDE JAMB BRACKET	-	113.00	139.00	148.00	113.00
3500 HD 180° HOLDER	98.00	-	-	-	-
4400 Medium Duty	93.00	93.00	132.00	144.00	93.00
N4400 ALL S.S.	177.00	157.00	197.00	218.00	157.00
7000 HEAVY DUTY	195.00	195.00	205.00	215.00	195.00
N7000 ALL S.S.	370.00	330.00	Contact Factory		330.00
HD7000 EXTRA HEAVY DUTY	314.00	-	Contact Factory		-
NHD7000 ALL S.S.	600.00	550.00	Contact Factory		550.00
8000 HEAVY DUTY HOLD-OPEN STOP	-	203.00	313.00	326.00	203.00
	-	180.00	275.00	288.00	180.00
HD8000 Extra Heavy Duty	20.00 LIST ADD				
9000 Heavy Duty	201.00	201.00	301.00	314.00	201.00
N9000 ALL S.S.	350.00	330.00	416.00	435.00	330.00
9000 ADJ Heavy Duty, Adjustable Degree	239.00	239.00	321.00	348.00	239.00
N9000 ADJ ALL S.S.	350.00	330.00	436.00	456.00	330.00



CONTACT FACTORY FOR OTHER FINISHES



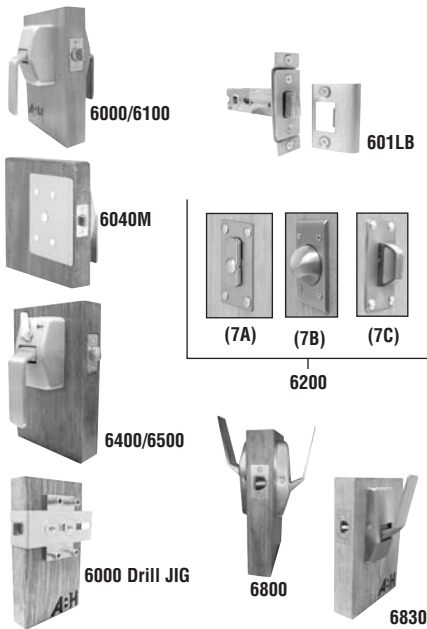
OPTIONS	List Add unless otherwise noted
ANGLE JAMB BRACKET 44443 (4400), 70377 (7000), 90541 (8000, 9000)	49.00 ALL STANDARD FINISHES
JAMB BRACKET FILLER/SHIM	26.00 ALL STANDARD FINISHES
OVERHEAD JAMB BRACKET REINFORCEMENT (R4401/R90541)	31.00 ZINC PLATED
3300ADJ/3400/4000/4400	24.00 "N" SERIES - 50.00
FRICTION/ H.O. CONVERSION KIT 1000/9000	28.00 "N" SERIES - 60.00
FRICTION/ H.O. CONVERSION KIT SECURITY SCREWS (SET) OR SEX BOLT (SET) SPECIFY WOOD OR METAL DOOR & FRAME	27.00 ALL STANDARD FINISHES
SPECIAL LAYOUTS	ON APPLICATION
ANTI-MICROBIAL COATING	CONTACT FACTORY
LEAD LINING - CONCEALED	35.00 NET ADD
LEAD LINING - SURFACE	25.00 NET ADD

Architectural Builders Hardware Mfg., Inc.
1222 Ardmore Ave.
Itasca, IL 60143
630.875.9900; FAX 800.9FAXABH (932.9224)
www.abhmfg.com



HOSPITAL PUSH/PULL LATCHES

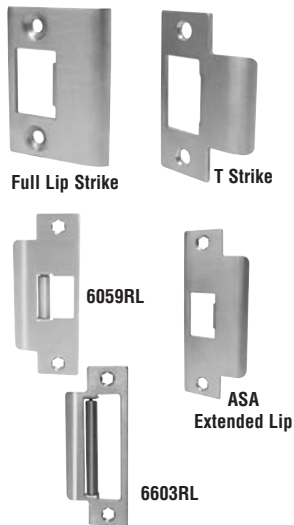
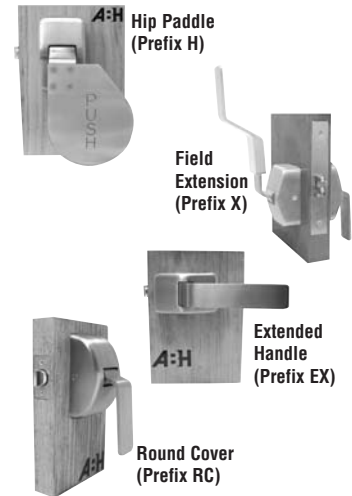
6000  LISTED All Units



6000 SERIES Push/Pull with 2-3/4", 3-3/4" 5" Backset Latch, STD or ASA Strike	US32D, US26D	US4, US10, US10B	US3, US32, US26
6000/J6000	203.00	295.00	295.00
6000LB w/Roller Latch Conversion Kit	215.00	326.00	326.00
601LB Roller Latch Conversion Kit	31.00	48.00	48.00
6040 Exit Only w/S.S. Plate	162.00	235.00	235.00
6040M Exit Only w/S.S. Security Plate 2-3/4" Backset only	185.00	265.00	265.00
6100 #161 Prep	324.00	416.00	416.00
6200 Single Side Asylum Latch (7A, 7B, 7C) SECURITY SCREWS SUPPLIED STANDARD FOR 6200	227.00	318.00	318.00
6400/6500 Privacy Latch	265.00	369.00	369.00
6800 Low Profile Latch	203.00	326.00	326.00
6830 Low Profile Reverse Latch	203.00	326.00	326.00
6000 Push/Pull Drill JIG	91.00 NET	-	-

Indicate Backset and Strike when ordering

OPTIONS 6000/6600/6800 - All Finishes All prices list add unless otherwise noted	
Round Cover (Prefix RC) - Available All Models (except 6400/6500)	N/C
Junior Cover (3-1/2" x 2-3/4") (Prefix J) - All models (except 6400/6500/6800)	N/C
Lead Line - 6000/6800 (Suffix L)	68.00
Lead Line - 6600 (Suffix L)	168.00
7" Backset for 6000 or 6800	37.00
Engraving - All Models (Suffix P) (Specify Mounting Position)	38.00 PER UNIT
Security Screws - All Models	32.00
Specify Wood or Metal Door & Frame	
H, X, & EX Extended Paddles (Prefix H, X, or EX) Series Specify Push or Pull Side	78.00 NET ADD
Antimicrobial Coating	38.00 NET ADD
H, X, or EX Handles contact factory	
6200 Asylum Knob Both Sides (Prefix "AB")	30.00 NET ADD
FOR 1-3/8" & 2-1/4" THICK DOOR (6000 ONLY) (6600-ONLY 2-1/4")	45.00 NET ADD
ASA Roller Strikes for 6000 (6059RL) or 6600 (6603RL) US32D ONLY	25.00



PARTS - 6000/6800 SERIES - All Finishes All prices list add unless otherwise noted	
6055 Full Lip Strike 2-1/4"	19.00
6058 Standard T Strike 2-3/4"	19.00
Standard T Strike Extended Lip 2-3/4" x 1-5/8"	Contact Factory
6059 ASA Strike 4-7/8"	19.00
605912 ASA Extended Lip 4-7/8" x 1-1/2"	Contact Factory
605958 ASA Extended Lip 4-7/8" x 1-5/8"	Contact Factory
6603RL - ASA Roller Strike for 6600 Mortise Lock Series US32D ONLY	38.00
6059RL - ASA Roller Strike for 6000 Cylindrical Latch Bolt Series US32D ONLY	38.00
2-3/4" Backset - 6275 (6000 Series), 68275 (6800 Series)	33.00
2-3/4" Reverse Backset 683275 or 5" Reverse Backset 683050 (6830 Series)	68.00
3-3/4" Backset - 6375 (6000 Series), 68375 (6800 Series)	42.00
5" Backset - 6050 (6000 Series), 68050 (6800 Series)	42.00
7" Backset - 6070 (6000 Series), 68070 (6800 Series)	68.00

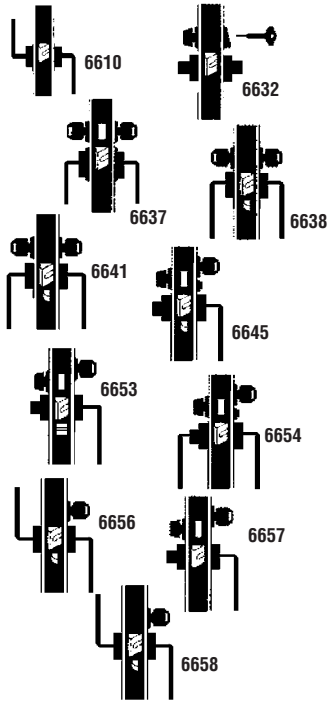
CUSTOM STRIKES AVAILABLE - CONTACT FACTORY

Architectural Builders Hardware Mfg., Inc.
 1222 Ardmore Ave.
 Itasca, IL 60143
630.875.9900; FAX 800.9FAXABH (932.9224)
www.abhmfg.com

Makes Life Simple



HOSPITAL PUSH/PULL LATCHES



6600 SERIES PUSH/PULL TRIM WITH MORTISE LOCK	US32D, US26D	US4, US10, US10B	US3, US32, US26
6610 Passage	567.00	694.00	694.00
6632 Privacy	567.00	694.00	694.00
6637 Storage - Utility Room	567.00	694.00	694.00
6638 Apartment Entrance	567.00	694.00	694.00
6641 Institution	567.00	694.00	694.00
6645 Hotel	567.00	694.00	694.00
6653 Entrance	567.00	694.00	694.00
6654 Dormitory - Bedroom / 2-Step Egress	567.00	694.00	694.00
6656 Classroom	567.00	694.00	694.00
6657 Dormitory - Exit	567.00	694.00	694.00
6658 Storeroom	567.00	694.00	694.00

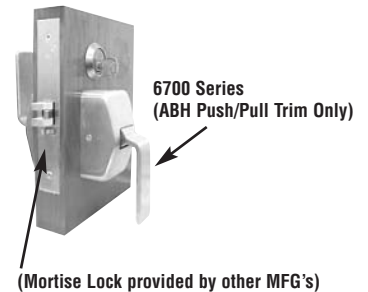
ABH does not provide cylinders. When they are used, the handles must be mounted in the down or horizontal position on the cylinder side.

Indicate Handing when ordering

6700 SERIES PUSH/PULL TRIM FOR USE WITH OTHER MFG's MORTISE LOCKS	US32D, US26D	US4, US10, US10B	US3, US32, US26
6710 for BEST, DORMA, FALCON, MARKS*	324.00	398.00	398.00
6720 for SCHLAGE*	324.00	398.00	398.00
6730 for YALE*	324.00	398.00	398.00
6740 for CORBIN/RUSSWIN*	324.00	398.00	398.00
6750 for SARGENT*	324.00	398.00	398.00
6760 for PDQ*	324.00	398.00	398.00
6770 for ARROW*	324.00	398.00	398.00

ABH does not provide mortise locks and cylinders. When cylinders are used, the handles must be mounted in the down or horizontal position on the cylinder side.

*ABH will request a mortise lock sample for approval.



6600/6700 Exit Only

6600/6700 EXIT ONLY**

Exit Only - Add Suffix "E"	List less \$50.00
Exit Only with Security Plate - Add Suffix "M"	List plus \$50.00
Exit only with Security Plate & Cylinder Hole* Add Suffix**	List plus \$75.00

STANDARD FINISH - US32D-SATIN STAINLESS STEEL
FOR OTHER FINISHES - CONTACT FACTORY

**For use on mortise locks with outside key that retracts latch bolt and dead bolt.

6600/6700 ASYLUM KNOB SERIES

SINGLE SIDE - Add Prefix "A"	30.00 NET ADD
DOUBLE SIDE - Add Prefix "AB"	60.00 NET ADD
Indicate Type 7A, 7B, 7C for Asylum Knob Style Security Screws Supplied Standard	



(7A)



(7B)



(7C)



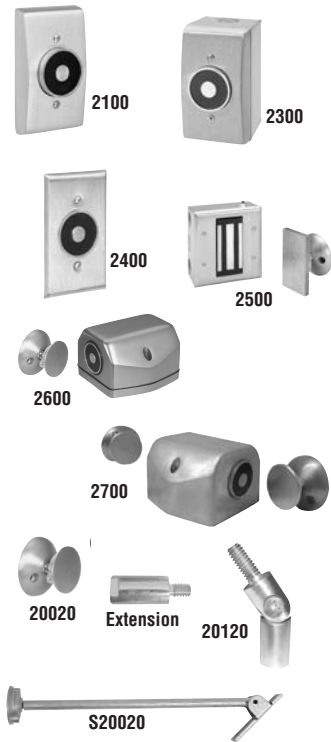
Double Side Asylum Knob (Type 7B shown)

ABH is a trademark of Architectural Builders Manufacturing, Inc. Arrow, Best, Corbin/Russwin, Dorma, Falcon, PDQ, Sargent, Schlage, Yale, and Marks brand names are trademarks or registered trademarks of their respective companies.

Architectural Builders Hardware Mfg., Inc.
1222 Ardmore Ave.
Itasca, IL 60143
630.875.9900; FAX 800.9FAXABH (932.9224)
www.abhmfg.com



ELECTROMAGNETIC HOLDERS/COORDINATORS/FLUSH BOLTS

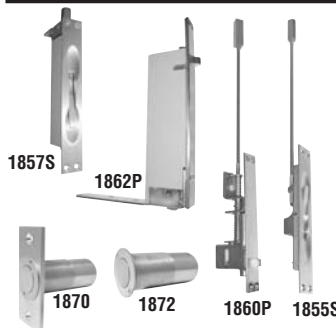


ELECTROMAGNETIC DOOR HOLDERS 2000 SERIES	US28	US32D	US32	SPRAYED
RECESSED WALL MOUNT 2100	228.00	248.00	263.00	245.00
SURFACE WALL MOUNT 2300	240.00	258.00	274.00	245.00
FLUSH WALL MOUNT 2400/2400L	228.00	248.00	263.00	245.00
400# SURFACE WALL MOUNT 2510 (24VAC/DC ONLY)	410.00	-	-	410.00
FLOOR MOUNT 2600 (SINGLE) 2700 (DOUBLE)	389.00 490.00	- -	- -	389.00 490.00
ARMATURE EXTENSIONS 20038, 20050, 20075 (3/8", 1/2", 3/4") 20100 (1") 20200 (2") 20400 (4") 20600 (6")	28.00 28.00 33.00 55.00 77.00	- - - - -	- - - - -	- - - - -
120° ARMATURE SWIVEL EXTENSION 20120	48.00	-	-	-
DOOR ARMATURE AND BASE ONLY 20020 - SPECIFY FINISH	125.00	139.00	148.00	140.00
CUSTOM ARMATURE EXTENSION OVER 10" S20020 - SPECIFY FINISH	Contact Factory			
SECURITY SCREWS	34.00 List Add-All Standard Finishes			

COORDINATORS

3700 SERIES - Ready to Paint - For Pairs of Doors, Both Doors the Same Size. INCLUDES FILLER BAR.

	DOOR OPENING	USP/US28
3711	52" or less	111.00
3712	52-1/16" to 56"	122.00
3721	56-1/16" to 72"	122.00
3722	72-1/16" to 84"	124.00
3723	84-1/16" to 96"	127.00
3733	96-1/16" to 104"	138.00
	OVER 104"	ON APPLICATION
3741	For Unequal pairs of doors (36" active to 12"-24" inactive)	148.00
	Lever Extension (Suffix E)	20.00 NET ADD
MOUNTING BRACKET - For Stop Mounted Hardware		
	3751 For Stop Widths up to 2-1/2"	19.50
	3752 For Stop Widths over 2-1/2"	16.50
	3760 CARRY BAR	28.00 USP
	3780 UNIVERSAL COORDINATOR For Pairs of Doors up to 8'	110.00 USP
	3790 GRAVITY COORDINATOR	88.00 US32D/US3
ADD 5.00 NET ADD FOR SPRAYED FINISHES		



FLUSH BOLTS

MANUAL-UL LISTED - SINGLES	US26D, US10B, US3, US10, US4
1855S for Metal Door	36.00
1857S for Wood Door	41.00
AUTOMATIC-UL LISTED - PAIRS	US32D, US10B, US3, US10, US4
1860P for Metal Doors	176.00
1862P for Wood Doors	180.00
DUST PROOF STRIKES	US26D, US10B, US3, US10, US4
1870 Rectangular	25.00
1872 Round	17.00

Architectural Builders Hardware Mfg., Inc.

1222 Ardmore Ave.
Itasca, IL 60143

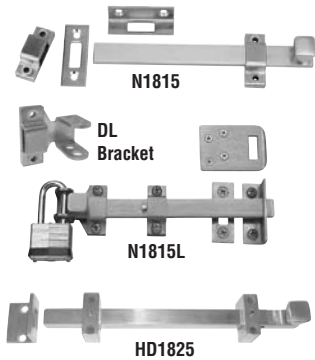
630.875.9900; FAX 800.9FAXABH (932.9224)

www.abhmfg.com

Makes Life Simple



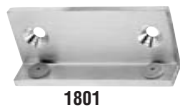
MISCELLANEOUS PRODUCTS



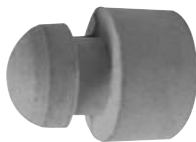
1805 SURFACE BOLTS		ALL STAINLESS STEEL US32D
N1815TB	8" WITH TOP & BOTTOM STRIKE	79.00
N1825TB	12" WITH TOP & BOTTOM STRIKE	101.00
HD1825TB	12" WITH TOP & BOTTOM STRIKE	142.00
HD1835TB	24" WITH TOP & BOTTOM STRIKE	184.00
LENGTHS UP TO 48"		ON APPLICATION
WITH LOCKING BRACKET (SUFFIX L) LIST ADD 10.00		
WITH DOUBLE LOCKING BRACKET (SUFFIX DL) LIST ADD 15.00		
RIM STRIKE AVAILABLE		CONTACT FACTORY

1801 APPLIED STOP

US32D	US10, US10B, US4	US3, US32
35.00	38.00	42.00



1801



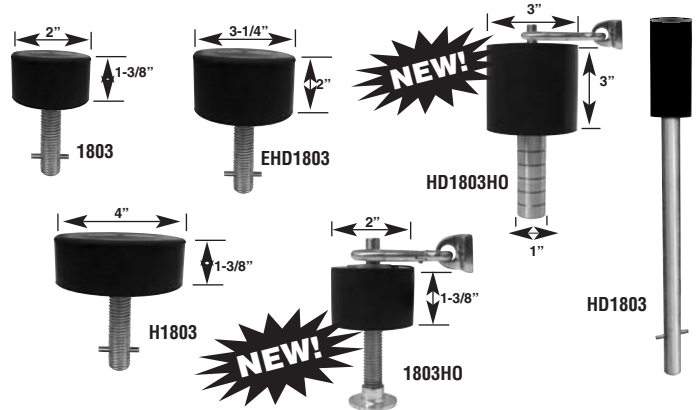
1802

1802 DOOR SILENCER FOR METAL DOOR - 1/4" PROJECTION

100	1000 (100/bag)	5000 (100/bag)	2500 (bulk)	5000 (bulk)
35.00	135.00	600.00	300.00	550.00
(ALL PRICES NET)				

1803 FLOOR MOUNT DOOR STOP

1803	38.00
1803HO	62.00
H1803	58.00
EHD1803	79.00
HD1803	PRICE ON APPLICATION
HD1803HO	CONTACT FACTORY



1804

1804 PIPE STOP AND DOOR HOLDER

	US32D
1804	189.00

1880 SLIDEBOLT PADLOCK LATCH

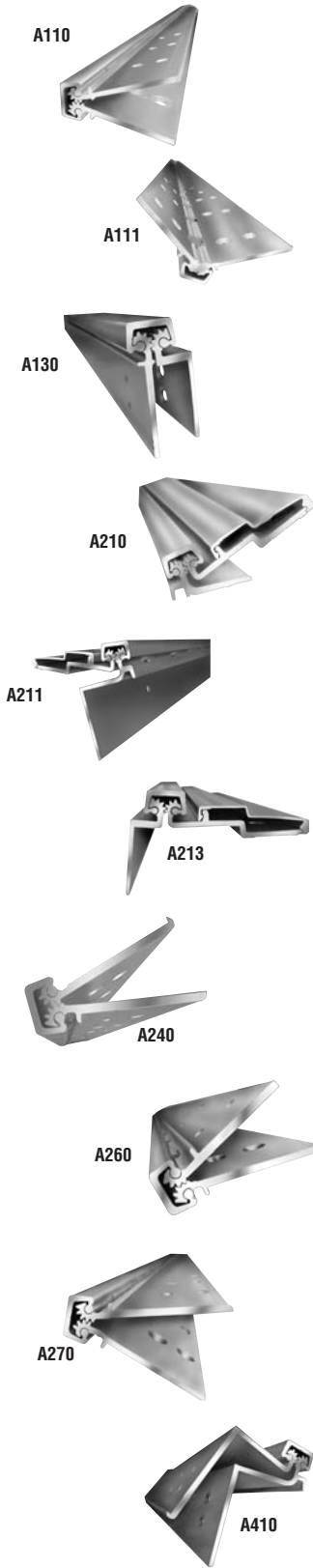
	US32D
1884 for 2-3/4" Backset (161 Prep)	97.00
1888 for 2-3/8" Backset (160 Prep)	97.00
Specify T-Strike or ASA Strike when ordering	



Architectural Builders Hardware Mfg., Inc.
 1222 Ardmore Ave.
 Itasca, IL 60143
630.875.9900; FAX 800.9FAXABH (932.9224)
www.abhmfg.com

Makes Life Simple

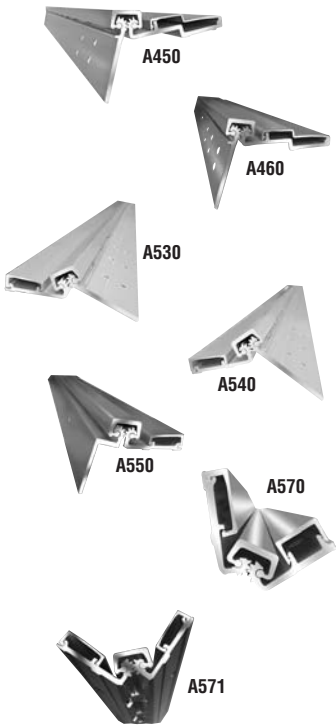




HINGEKING HEAVY DUTY GEARED ALUMINUM HINGES			
C = Clear Aluminum D = Dark Bronze B = Black			
	79"/83"/85"	95"	120"
A110HDC	\$119.00	\$159.00	\$254.00
A110HDD/HDB	154.00	199.00	329.00
A110LLC	156.00	189.00	281.00
A110LLD/LLB	202.00	241.00	363.00
A111HDC	119.00	159.00	254.00
A111HDD/HDB	154.00	199.00	329.00
A111LLC	156.00	189.00	281.00
A111LLD/LLB	202.00	241.00	363.00
A130HDC	154.00	189.00	283.00
A130HDD/HDB	206.00	254.00	379.00
A210HDC	184.00	229.00	361.00
A210HDD/HDB	229.00	302.00	477.00
A211HDC	378.00	465.00	694.00
A211HDD/HDB	459.00	634.00	912.00
A213HDC	241.00	297.00	442.00
A213HDD/HDB	289.00	388.00	578.00
A240HDC	121.00	163.00	240.00
A240HDD/HDB	158.00	197.00	302.00
A240LLC	164.00	199.00	312.00
A240LLD/LLB	210.00	244.00	389.00
A260HDC	126.00	173.00	269.00
A260HDD/HDB	157.00	219.00	329.00
A270HDC	127.00	173.00	263.00
A270HDD/HDB	159.00	209.00	332.00
A270LLC	154.00	202.00	319.00
A270LLD/LLB	190.00	244.00	410.00
A410HDC	226.00	289.00	439.00
A410HDD/HDB	295.00	362.00	589.00
A410LLC	256.00	317.00	489.00
A410LLD/LLB	322.00	386.00	609.00

Architectural Builders Hardware Mfg., Inc.
 1222 Ardmore Ave.
 Itasca, IL 60143
630.875.9900; FAX 800.9FAXABH (932.9224)
www.abhmfg.com





HINGEKING HEAVY DUTY GEARED ALUMINUM HINGES			
C = Clear Aluminum D = Dark Bronze B = Black			
	79"/83"/85"	95"	120"
A450HDC	258.00	318.00	472.00
A450HDD/HDB	330.00	406.00	605.00
A460HDC	278.00	342.00	510.00
A460HDD/HDB	365.00	448.00	669.00
A530HDC	186.00	228.00	356.00
A530HDD/HDB	253.00	298.00	489.00
A540HDC	186.00	228.00	356.00
A540HDD/HDB	253.00	298.00	489.00
A550HDC	215.00	264.00	393.00
A550HDD/HDB	287.00	353.00	527.00
A570HDC	184.00	225.00	389.00
A570HDD/HDB	234.00	302.00	439.00
A571HDC	203.00	254.00	378.00
A571HDD/HDB	259.00	348.00	519.00

Non-Standard Lengths- Hinges cut from the next larger standard size and priced at the next larger standard size. No prep charge.

HOW TO ORDER: EXAMPLE A110HDC083
 1ST -4TH digit defines series - AXXX
 5th & 6th digits indicate type HD= Heavy Duty, LL = Lead Lined
 7th digits indicates finish C= Clear Aluminum, D= Dark Bronze, B= Black
 8th - 10th indicates length (in inches) 083, 085, 095, 120
 11th + indicates options - **ALL OPTION PRICES ARE NET ADD PER HINGE**

Electric Hinge Modifications- (NET ADD PER HINGE)

Concealed thru wire	
(2) 18 ga. wire (TW2)	\$78.00
(4) 28 ga. wire (TW4)	\$78.00
(8) 28 ga. wire (TW8)	\$92.00
(12) 28 ga. wire (TW12)	\$110.00
EZ Connect Thru Wire	Contact Factory
Power Transfer Cut-out (PT)	\$30.00
Exposed Contact (EC)	\$28.00 each
Exposed Monitor Switch (ES)	\$32.00 each
Combination Monitor Switch/Through Wire	
(2) 18 ga wire (MT2)	\$109.00
(4) 28 ga. Wire (MT4)	\$109.00
(8) 28 ga. wire (MT8)	\$123.00
Security Fasteners	\$.40 net each
Security Sex Bolt with Shoulder Bolt	\$1.40 net each

OTHER MODIFICATIONS: (NET ADD PER HINGE)

Dutch Door (DD)	\$30.00
School Cap (SC)	\$20.00
Hospital Tip (HT)	\$25.00
Concealed 4" thru wire removable section only	
AXXXRC Clear Al	\$20.00 + Electric Modifications
AXXXRD Dark Bronze	\$25.00 + Electric Modifications
3 Section Gear hinge w/Removable Portion	
Hinge Number +Suffix R	\$40.00 + Electric Modifications
1 Piece Gear Hinge w/ Moveable Portion	
Hinge Number + Suffix M	\$40.00 + Electric Modifications
Fire Studs (4 per pkg.)	\$22.00
Non-Standard Color Set-up Charge	On application
ABH to Request a Color Sample and Approval Before Processing Order	



PTS105/180 PTR105/180 PT105/180

POWER TRANSFER	US32D
PT105/PTR105 (105° DOOR OPENING)	110.00
PT180/PTR180 (180° DOOR OPENING)	135.00
PTS105/180 - Security Bracket	15.00

Architectural Builders Hardware Mfg., Inc.

1222 Ardmore Ave.

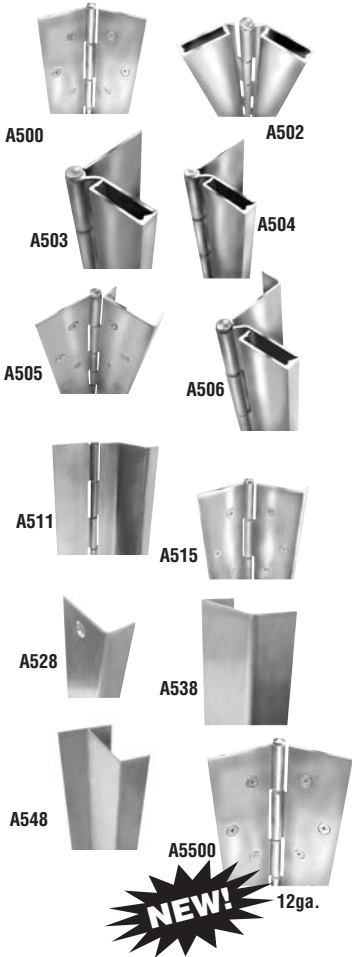
Itasca, IL 60143

630.875.9900; FAX 800.9FAXABH (932.9224)

www.abhmfg.com

Makes Life Simple





STAINLESS STEEL PIN AND BARREL HINGES AND EDGE GUARDS					
	6'8" (78.75") (HANDED)	7'0" (83.125")	7'2" (85.00") (HANDED)	8'00" (95.00")	10'00" (118.75")
A500	261.00	261.00	304.00	304.00	371.00
A502	304.00	304.00	352.00	352.00	494.00
A503	271.00	271.00	318.00	318.00	399.00
A504	271.00	271.00	318.00	318.00	399.00
A505	342.00	342.00	385.00	385.00	470.00
A506	280.00	280.00	328.00	328.00	409.00
A511	295.00	295.00	337.00	337.00	423.00
A515	318.00	318.00	361.00	361.00	447.00
A528S (Square)	154.00	154.00	169.00	169.00	219.00
A528B (Bevel)	154.00	154.00	169.00	169.00	219.00
A538CS (Square)	179.00	179.00	189.00	189.00	259.00
A538CB (Bevel)	179.00	179.00	189.00	189.00	259.00
A548TS (Square)	209.00	209.00	229.00	229.00	298.00
A548TB (Bevel)	209.00	209.00	229.00	229.00	298.00
A5500 (12ga.)	488.00	488.00	578.00	578.00	614.00

MODIFICATIONS

- Hospital Tip – suffix HT \$42.00
- Dutch Door – suffix DD \$42.00
- Power Transfer Cut-out – suffix PT \$50.00
- Concealed Thru wire
 - (2) 18 ga. wire \$225.00
 - (4) 28 ga. wire \$225.00
 - (8) 28 ga. wire \$310.00
- Electric Access Prep – Suffix M \$110.00
- Standard Edge Guard Cutouts \$25.00 per cut out
- Custom Edge Guard Cutouts On application
- Security Fasteners \$.40 net each
- Cut to Custom Length \$29.00
- Security Pins \$100.00
- Welded End Pins \$65.00
- Adjustable Studs RH (Wood) \$.70 net each
- LH (Metal) \$.70 net each
- On application On application

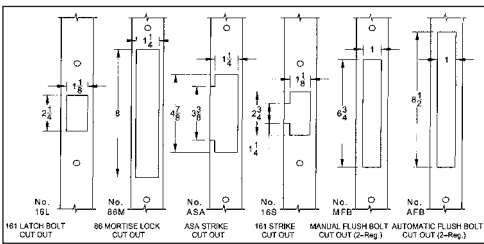
LIST ADD PER HINGE UNLESS OTHERWISE NOTED

Non-Standard Color Set-up Charge

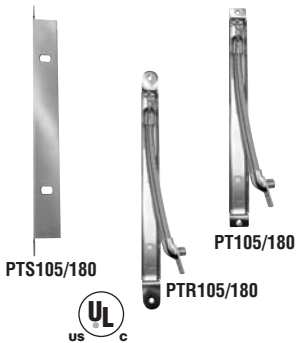
ABH to Request a Color Sample and Approval Before Processing Order

(Some custom lengths may require 2 cuts to avoid cutting thru screw holes. Double the price of cutting charge.)

REQUEST ORDER FORM FOR ALL HINGE MODIFICATIONS



Standard Edge Guard Cutouts



POWER TRANSFER	US32D
PT105/PTR105 (105° DOOR OPENING)	110.00
PT180/PTR180 (180° DOOR OPENING)	135.00
PTS105/180 - Security Bracket	15.00

Architectural Builders Hardware Mfg., Inc.

1222 Ardmore Ave.

Itasca, IL 60143

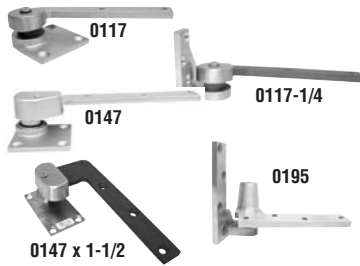
630.875.9900; FAX 800.9FAXABH (932.9224)

www.abhmfg.com

Makes Life Simple

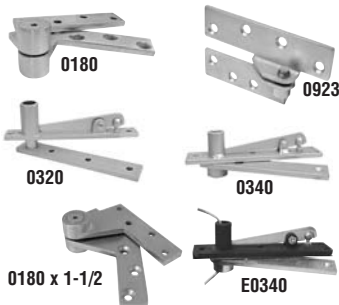


PIVOTS/PIVOT SETS



OFFSET PIVOT SETS Includes top and bottom pivots HANDED	US32D, 689, 690,691, 696	US3, US4, US10, US10B, US32
0117 bottom with 0180 top 3/4" offset**	231.00	257.00
0117-1/4 bottom with 0180 top 3/4" offset**	249.00	276.00
0147 bottom with 0180 top 3/4" offset**	332.00	360.00
0147 x 1-1/2" bottom with 0180 x 1-1/2" 1-1/2" offset**	506.00	552.00
L0147 bottom with L0180 3/4" offset**	496.00	527.00
0195 bottom with 0180 top 3/4" offset**	307.00	334.00

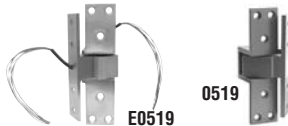
CENTER HUNG PIVOT SETS Includes top and bottom pivots	US32D, 689, 690,691, 696	US3, US4, US10, US10B, US32
0127/0128 bottom with 0320 top - Standard Duty	153.00	177.00
0327 bottom with 0321 top - Light Duty	121.00	137.00
0370 bottom with 0340 top - Heavy Duty	225.00	251.00
0370 bottom with E0340 top - Electrical Heavy Duty	445.00	471.00



TOP PIVOTS	US32D, 689, 690,691, 696	US3, US4, US10, US10B, US32
0180 3/4" Offset-Heavy Duty**	116.00	139.00
0180 x 1-1/2 1 1/2" Offset - Heavy Duty	235.00	295.00
L0180 3/4" Offset Leadlined for 1-3/4" door	189.00	214.00
0923 3/4" Offset Reinforcing Pivot	US2G	72.00
0320 Center Hung-Light Duty	82.00	105.00
0321 Center Hung-Light Duty	69.00	102.00
0340 Center Hung-Standard Duty	89.00	112.00
E0340 Electrified Center Hung-Standard Duty	299.00	345.00



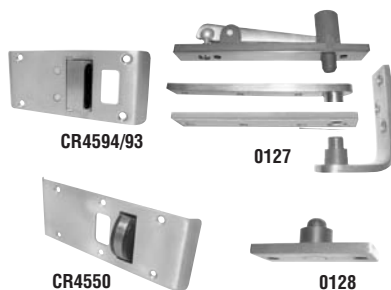
INTERMEDIATE PIVOTS HANDED	US32D, 689, 690,691, 696	US3, US4, US10, US10B, US32
019 3/4" Offset - Heavy Duty**	168.00	193.00
019 x 1-1/2 1 1/2" Offset - Heavy Duty	292.00	358.00
L019 3/4" Offset Leadlined for 1-3/4" door	252.00	278.00
E019 3/4" Offset - Electrical (8-28ga. wires standard)	342.00	369.00
EL019 3/4" Offset Electrical Leadlined (8-28ga. wires standard)	426.00	-



POCKET PIVOTS	US32D, 689, 690,691, 696	US3, US4, US10, US10B, US32
0519 **	324.00	375.00
E0519	649.00	CONTACT FACTORY

OPTIONS	ALL PRICES NET
Extra length spindles for 0117,0147, 0128, 0370 (1/2" increments up to 2" longer than standard).	58.00
Extra length pivot pins for 0320, 0340 (1/4" increments up to 3/4" longer than standard).	42.00
Security Fasteners	CONTACT FACTORY

** Rated for 3-hr. fire doors when US32/US32D used.



RESCUE PIVOT SET - 0127 or 0128 Pivot Set with Combo Rescue Stop	US32D	US4	US3, US32, US10, US10B
012750/012791 Center Hung 5-3/4"	280.00	300.00	338.00
012850/012891 Center Hung 5-3/4"			
012760/012792 Center Hung 6-3/4"	286.00	306.00	346.00
012860/012892 Center Hung 6-3/4"			
012770/012794 1/8" Inset - 5-3/4"	280.00	300.00	338.00
012870/012894 1/8" Inset - 5-3/4"			
012780/012793 1/8" Inset - 6-3/4"	286.00	306.00	346.00
012880/012893 1/8" Inset - 6-3/4"			

Architectural Builders Hardware Mfg., Inc.
 1222 Ardmore Ave.
 Itasca, IL 60143
630.875.9900; FAX 800.9FAXABH (932.9224)
www.abhmfg.com





COMBO DOUBLE LIPPED STRIKE AND RESCUE STOP	US32D, 689, 690, 691, 696	US3, US4, US10, US10B, US32
For Center Hung Door		
CR4550/CR4591 5-3/4" x 2-3/4"	142.00	176.00
CR4560/CR4592 6-3/4" x 2-3/4"	148.00	185.00
For 1/8" Inset Door		
CR4570/CR4594 5-3/4" x 2-3/4"	142.00	176.00
CR4580/CR4593 6-3/4" x 2-3/4"	148.00	185.00
SCRM4500 Custom Rescue Stop - Contact Factory		
SCRM4500 - Custom Rescue Stop for Mortise Locks - Contact Factory		

RESCUE STOP	US32D, 689, 690, 691, 696	US3, US4, US10, US10B, US32
4590 Rescue Stop	109.00	Contact Factory



4590

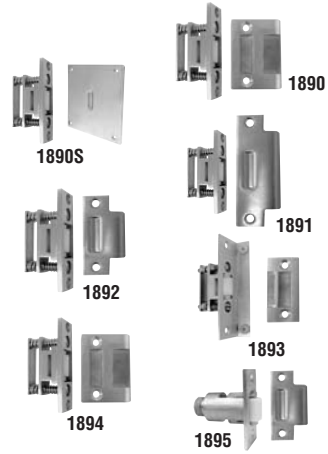


DOUBLE LIPPED STRIKE	US32D, 689, 690, 691, 696	US3, US4, US10, US10B, US32
For Center Hung Doors		
DS4510 5-3/4" x 2-3/4"	50.00	61.00
DS4520 6-3/4" x 2-3/4"		
For 1/8" Inset Door		
DS4530 5-3/4" x 2-3/4"	50.00	61.00
DS4540 6-3/4" x 2-3/4"		
Custom Double Lipped Strike Available - Contact Factory		

VERTICAL ROD PROTECTORS STAINLESS STEEL	
1811 for Pairs of Doors 24" Rod Cover with Latch Bolt Covers	254.00
1811-36 for Pairs of Doors 36" Rod Cover with Latch Bolt Covers	292.00
1811-42 for Pairs of Doors 42" Rod Cover with Latch Bolt Covers	367.00
1812 for Right Hand Door Latch Bolt Cover with 24" Rod Cover	128.00
1813 for Left Hand Door Latch Bolt Cover with 24" Rod Cover	128.00
Rod Cover Length up to 48" on Application	



1813 1812



ROLLER LATCHES	US32D	US32, US3, US4, US10, US10B
1890 with Cast Strike	54.00	57.00
1890S with Special Strike	ON APPLICATION	
1891 with ASA (4-7/8") Strike	61.00	63.00
1892 with 2-3/4" T-Strike	54.00	57.00
1893 with Integrated Angle Stop	106.00	109.00
1894 with Extended Cast Strike	61.00	63.00
1895 with 2-3/4" T-Strike	72.00	77.00
1896 with ASA Strike	80.00	83.00

Architectural Builders Hardware Mfg., Inc.
 1222 Ardmore Ave.
 Itasca, IL 60143
630.875.9900; FAX 800.9FAXABH (932.9224)
 www.abhmfg.com

© 2010 ABH Mfg., Inc.
 Printed in USA Rev 3/10

