

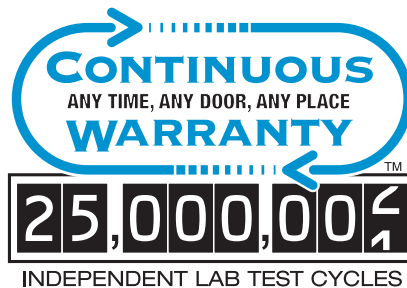


ACCESS SECURITY & ARCHITECTURAL HARDWARE  
NATIONWIDE (800) 221-2052 • NYC (718) 622-8785 • FAX (718) 789-8346

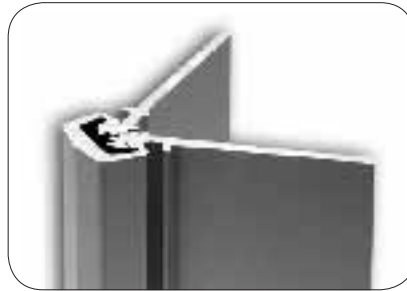
**[www.mfsales.com](http://www.mfsales.com)**



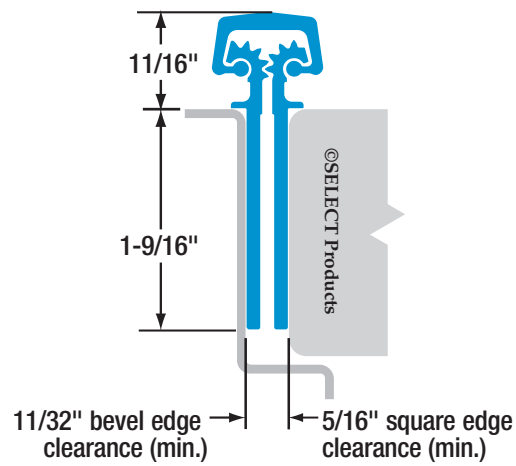
- **New construction**
- **High traffic doors**
  - **Wide doors**
  - **Extra heavy doors**
- **Retrofit door repairs**
- **Replace butt/pivot hinges**
- **Extend the life of your entrance**

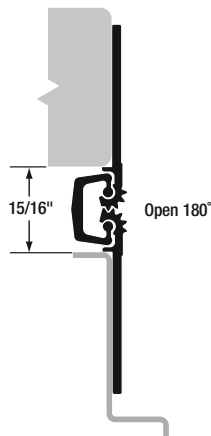
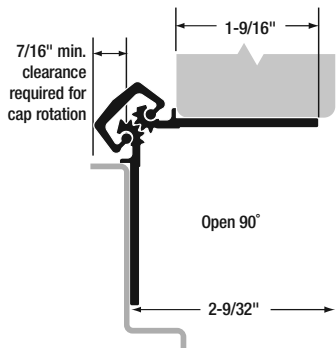
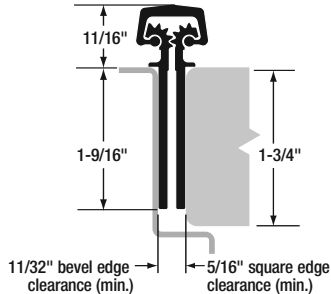


**The warranty that never ends  
for the hinge that never quits.™**



- Flush mounted
- For 1-3/4" doors





**MATERIAL:** Extruded 6063 T6 aluminum alloy with self-lubricating polyester thrust bearings.

**LENGTHS:** 83", 85", 95" and 120" lengths standard for nominal door heights. Custom lengths are available.

**RATINGS: Standard Duty** — Tested per BHMA standards for medium frequency applications. For doors 48" wide (max.) weighing up to 200 pounds without frame or door reinforcement. 16 gauge hollow metal minimum or 1/8" aluminum minimum.

**Heavy Duty** — Tested per BHMA standards for high-frequency or heavy, medium-frequency applications. For doors 48" wide (max.) in 16 gauge hollow metal (min.) or 1/8" aluminum (min.) weighing up to 450 pounds without frame or door reinforcement; up to 600 pounds with the use of Rivnuts in the frame and door.

**Lead Lined** — Low to medium frequency applications. For door 48" wide (max.) weighing up to 1,000 pounds and most lead lined doors. Rivnuts are recommended in the frame and door on extremely high, extremely heavy or wide doors.

**FINISHES:** All SL11 hinges are stocked in 204R1 Clear (.4-.7 mil) AA-M12C22A31 and 215 R1 Dark Bronze (.7 mil and thicker) AA-M12C22A44 anodized aluminum. Custom anodized or painted finishes are available. Product painted or anodized in the field voids the SELECT hinge warranty.

**CLOSERS:** Conventional overhead surface, concealed sliding arm overhead or floor closers may be used with SELECT hinges. Pivot-type floor closers (with a fixed, conflicting center pivot) must be replaced.

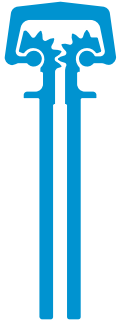
**ORDER:** Specify length, finish and standard-duty (SD), heavy-duty (HD) or heavy-duty with additional fastener holes (LL). Also, specify door and frame screw applications. 12-24 x 1/2" thread-forming 410SS Phillips undercut flathead screws are provided as a standard pack unless otherwise specified. Wood and self-drilling, thread-forming screws also available. Security screws optional at extra cost.

**BHMA CERTIFICATION:** SL11HD geared continuous hinges conform to BHMA Standard ANSI/BHMA A156.26.2006 Grade 2. SL11XD geared continuous hinges (available on request) are BHMA certified to BHMA Standard ANSI/BHMA A156.26 2006 Grade 1.

SL11 HINGE SCREW COUNT		
HINGE LENGTH & DUTY RATING	DOOR SCREWS	FRAME SCREWS
83" SD/HD	19	19
85" SD/HD	19	19
95" SD/HD	21	21
120" SD/HD	23	23
83" LL	26	26
85" LL	26	26
95" LL	30	30
120" LL	34	34

# GEARED CONTINUOUS HINGES

**SL11**



**SL14**



**SL18**



**SL24**



**SL26**



**SL27**



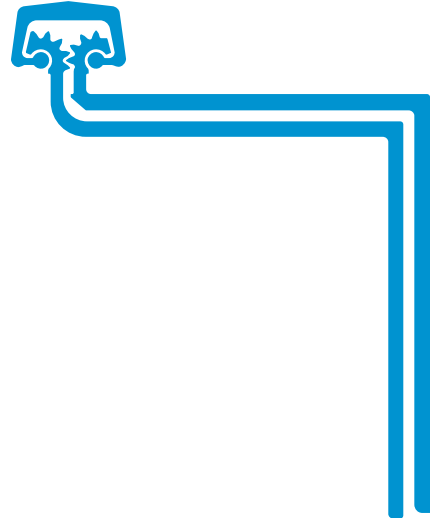
*Concealed*

**SL40**



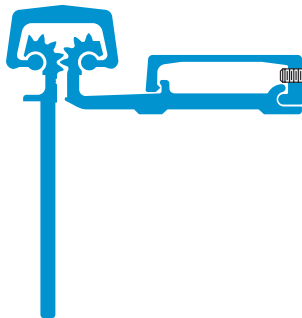
*Wide Throw*

**SL41**

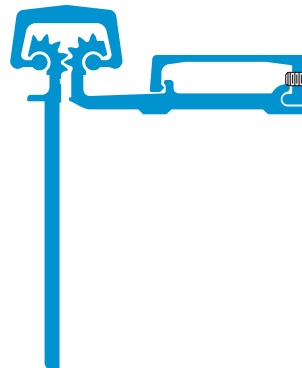


*Swing Clear*

**SL53**



**SL54**



*Half Surface*

**SL21**



**SL57**



*Full Surface*

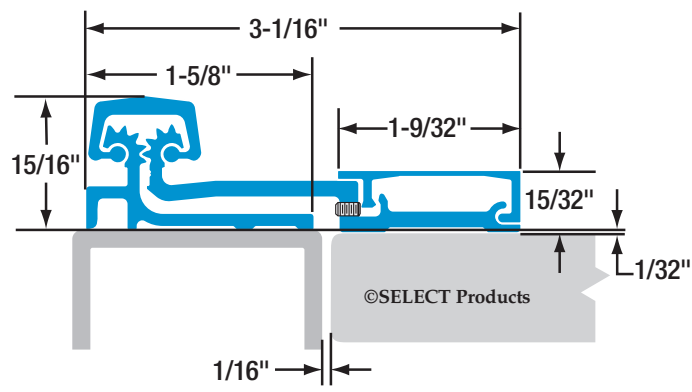
**SL60/62**

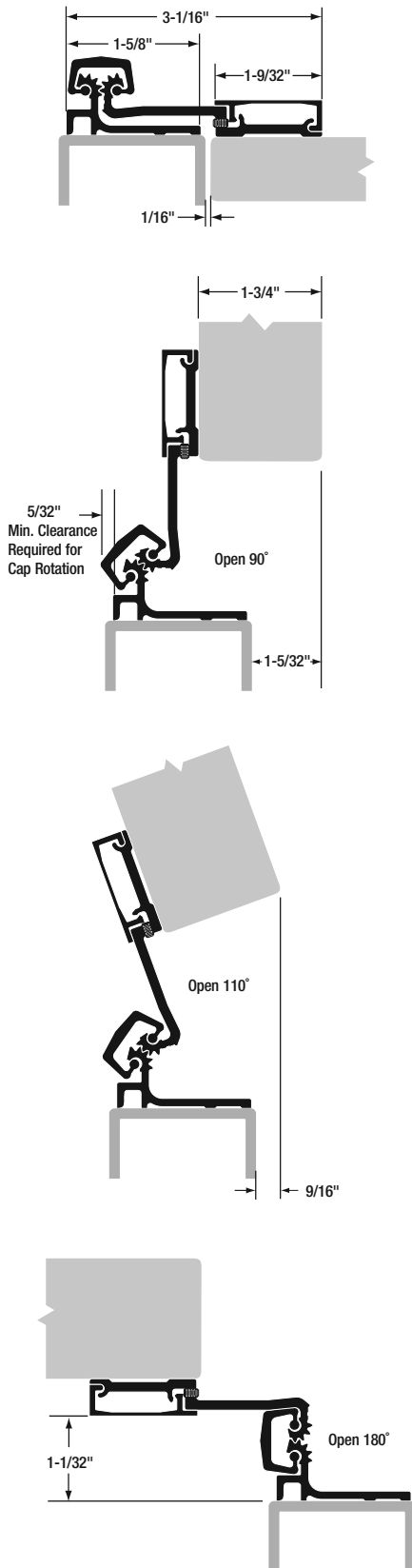


*Toilet Partition*



- 1/32" door inset
- Swing clear design
- For 1-3/4" doors
- Long barrel nuts (up to 2-1/4" max.) available for thicker doors





**MATERIAL:** Extruded 6063 T6 aluminum alloy with self-lubricating polyester thrust bearings.

**LENGTHS:** 83", 85", 95" and 120" lengths standard for nominal door heights. Custom lengths are available.

**RATINGS: Standard Duty** — Tested per BHMA standards for medium frequency applications. For doors 48" wide (max.) in 16 gauge hollow metal (min.) or 1/8" aluminum (min.) weighing up to 200 pounds without frame or door reinforcement.

**Heavy Duty** — Tested per BHMA standards for high-frequency or heavy, medium-frequency applications. For doors 48" wide (max.) in 16 gauge hollow metal (min.) or 1/8" aluminum (min.) weighing up to 450 pounds without frame or door reinforcement; up to 600 pounds with the use of Rivnuts in the frame.

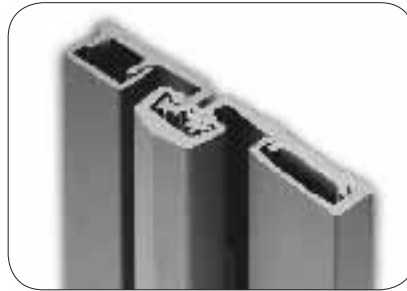
**FINISHES:** All SL21 hinges are stocked in 204R1 Clear (.4-.7 mil) AA-M12C22A31 and 215 R1 Dark Bronze (.7 mil and thicker) AA-M12C22A44 anodized aluminum. Custom anodized or painted finishes are available. Product painted or anodized in the field voids the SELECT hinge warranty.

**CLOSERS:** Conventional overhead surface, concealed sliding arm overhead or floor closers may be used with SELECT hinges. Pivot-type floor closers (with a fixed, conflicting center pivot) must be replaced.

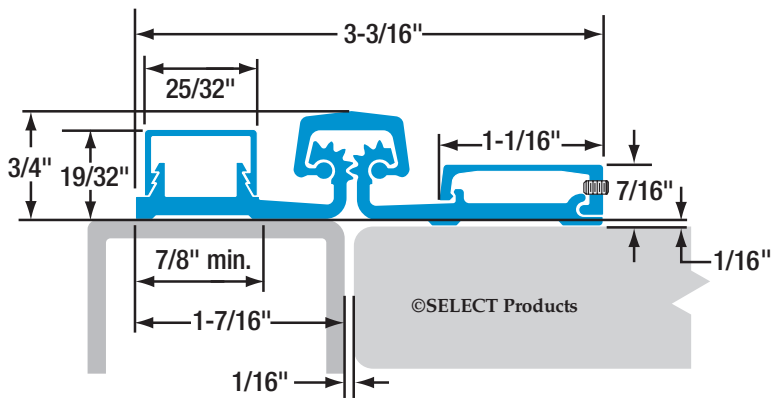
**ORDER:** Specify length, finish and standard-duty (SD), heavy-duty (HD). Also, specify door and frame screw applications. 12-24 x 1/2" thread-forming 410SS Phillips undercut flathead screws, 1/4-20 through-bolts and 1/4-20 shoulder screws (for doors up to 1-3/4" thick) are provided as a standard pack unless otherwise specified. Wood and self-drilling, thread-forming screws also available. Security screws optional at extra cost.

**SL21 HINGE SCREW COUNT**

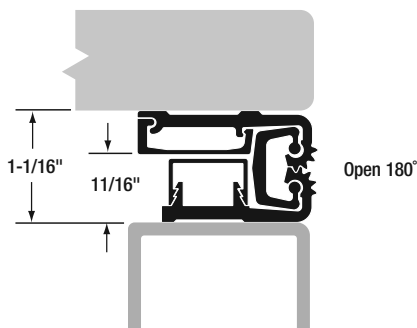
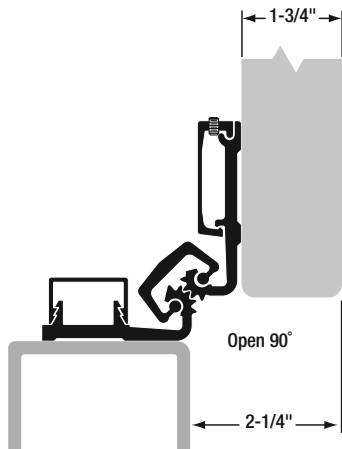
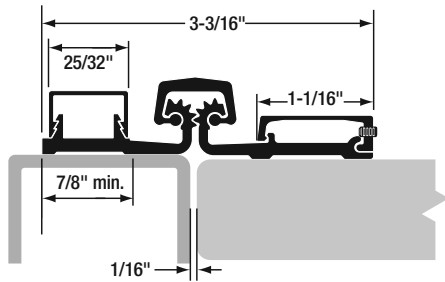
HINGE LENGTH & DUTY RATING	DOOR SCREWS	FRAME SCREWS
83" SD/HD	10	14
85" SD/HD	10	14
95" SD/HD	11	15
120" SD/HD	14	18



- 1/16" door inset
- Narrow frame leaf
- For 1-3/4" doors
- Long barrel nuts (up to 2-1/4" max.) available for thicker doors







**MATERIAL:** Extruded 6063 T6 aluminum alloy with self-lubricating polyester thrust bearings.

**LENGTHS:** 83", 85", 95" and 120" lengths standard for nominal door heights. Custom lengths are available.

**RATINGS:** *Standard Duty* — Tested per BHMA standards for medium frequency applications. For doors 48" wide (max.) weighing up to 200 pounds without frame or door reinforcement. 16 gauge hollow metal minimum or 1/8" aluminum minimum.

*Heavy Duty* — Tested per BHMA standards for high-frequency or heavy, medium-frequency applications. For doors 48" wide (max.) in 16 gauge hollow metal (min.) or 1/8" aluminum (min.) weighing up to 450 pounds without frame or door reinforcement; up to 600 pounds with the use of Rivnuts in the frame.

**FINISHES:** All SL57 hinges are stocked in 204R1 Clear (.4-.7 mil) AA-M12C22A31 and 215 R1 Dark Bronze (.7 mil and thicker) AA-M12C22A44 anodized aluminum. Custom anodized or painted finishes are available. Product painted or anodized in the field voids the SELECT hinge warranty.

**CLOSERS:** Conventional overhead surface, concealed sliding arm overhead or floor closers may be used with SELECT hinges. Pivot-type floor closers (with a fixed, conflicting center pivot) must be replaced.

**ORDER:** Specify length, finish and standard-duty (SD), heavy-duty (HD). Also, specify door and frame screw applications. 12-24 x 1/2" thread-forming 410SS Phillips undercut flathead screws, 1/4-20 through-bolts and 1/4-20 shoulder screws (for doors up to 1-3/4" thick) are provided as a standard pack unless otherwise specified. Wood and self-drilling, thread-forming screws also available. Security screws optional at extra cost.

**SL57 HINGE SCREW COUNT**

HINGE LENGTH & DUTY RATING	DOOR SCREWS	FRAME SCREWS
83" SD/HD	10	14
85" SD/HD	10	14
95" SD/HD	11	15
120" SD/HD	14	18