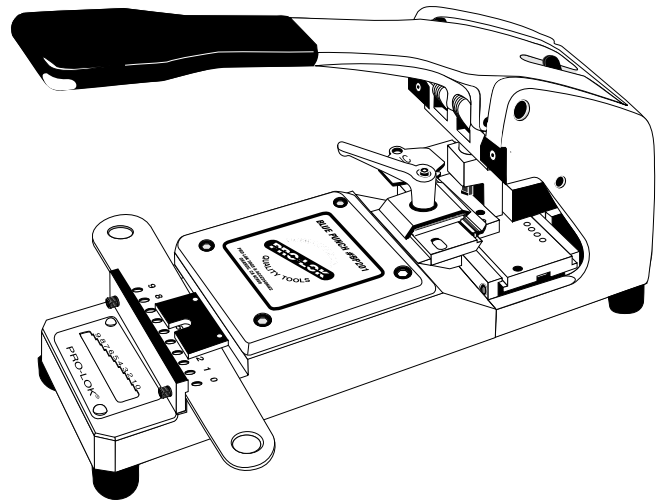


Key Machine

The Blue Punch key machine is a dedicated key punch machine designed to provide “factory original” keys. Creates keys with the speed of a duplicator. The Blue Punch is fast, extremely accurate and easy to use. The machine is set up at the factory to provide automatic spacing and depth. An ideal machine for the commercial locksmith, hotels, schools and other institutions. Fast and easy to use, this machine is precision machined to the tightest tolerances. Heavy duty and built to last. Portable and dependable, hand operated—no electrical outlet needed.



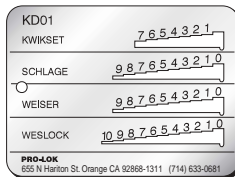
BluePunch Key Machine—Keyway Specifics

PART #	DESCRIPTION	SPECIFIC KEYWAYS
BP201ARFC	ARROW FLEXCORE	Arrow Flexcore 51, 52, 53, 54, 61, 81, 83, 84
BP201C70	CORBIN C70	Most Popular Corbin System 70 Keyways 59 Series A1,A2, B1,B2,D2 60 Series 6 pin
BP201DE	DEXTER / MASTER	Master Door Locks All Dexter Cylinders
BP201FW	FALCON WEISER	Falcon Standard (Non I/C) *Will Not Cut 8 Or 9 Depths All Weiser Cylinders
BP201IC	I-CORE A2 SYSTEM	A2 Standard Interchangeable Core (I/C) Best, Falcon & Arrow Small Format I/C Key Sections A-R,TA-TE, W Arrow 1A-4D Exclusions: Arrow Flexcore, Kaba Peaks, Insta-Key
BP201IC-A3	I-CORE A3 SYSTEM	Interchangeable Core (I/C) A3 System
BP201IC-A4	I-CORE A4 SYSTEM	Interchangeable Core (I/C) A4 System
BP201KW	KWIKSET	Kwikset Standard & Yale Residential *Titan (Will Not Cut Titan 5 & 6 Pin Or Titan Square 1st Cut)
BP201SC	SCHLAGE-CLASSIC	Schlage Classic (Including Ic) Obverse Key Sections Only C, CE, E, EF, F, FG, G, H, J, K, L (Aftermarket L Blanks Only) Primus—Same Key Sections As Obverse Except A “P” Has Been Added To Keyway # (ie: CP, CEP, EP, Etc.) Schlage Everest C (Including I/C) Key Sections (I.E.C123, C124, C126, C135, C145) Everest Primus—Uses Same Names Exclusions: Numbered Key Sections, Quad Key Sections, Reverse Key Sections, Everest B (B + 3 Digits), Everest D (D + 3 Digits)
BP201SCEB	SCHLAGE-SMALL FORMAT	Schlage Everest B Key Sections Only—B123,B125, B234, B235 All Other Keys With A B + 3 Digits
BP201SCRV	SCHLAGE-REVERSE	Schlage Reverse Sections—D,DQ,Q, QS,S,T,U,V,W & Y
BP201WK	WESLOCK	All Weslock Cylinders

KD01

Key Decoder

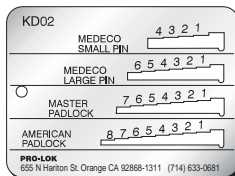
Stainless steel. Decode cut depths on keys. Use for rekeying & code cutting. Uses stepped depths for exact decoding. Schlage, Kwikset, Weiser, Weslok



KD02

Key Decoder

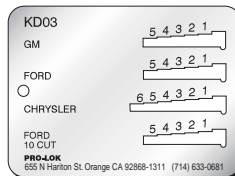
Stainless steel. Decode cut depths on keys. Use for rekeying & code cutting. Uses stepped depths for exact decoding. Medeco small pin, Medeco large pin, Master Padlock, American Padlock



KD03

Key Decoder

Stainless steel. Decode cut depths on keys. Use for rekeying & code cutting. Uses stepped depths for exact decoding. GM, Ford, Chrysler, Ford 10 cut



KD98

Key Decoder

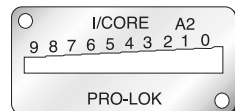
Stainless steel. Decode cut depths on keys. Use for rekeying & code cutting. Uses stepped depths for exact decoding. ASSA



KDIC

Key Decoder

Stainless Steel key decoder for Best/Falcon & other I/C keys using standard A2 increments.



KDSC

Key Decoder

Stainless Steel key decoder for all Schlage & other (Schlage type) keys using factory increments.

