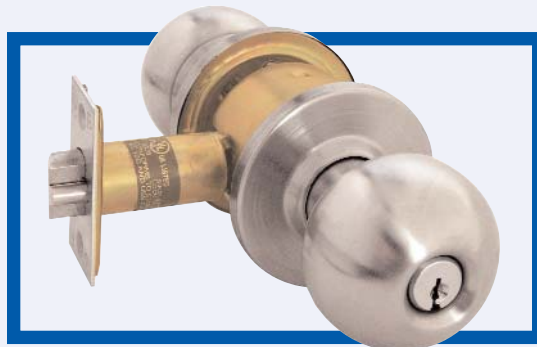


The RK Series has been enhanced to offer a wide variety of finishes and functions. The RK Series cylindrical locksets are an economical value for a variety of application. Perfect for multi-family housing markets, as well as light commercial applications.



## Certification

The RK Series has been designed to meet the requirements of ANSI, A156.2, Series 4000, Grade 2 UL Listed for use on 3 hour, A label single swinging doors.

## Features

**Construction** – Cold rolled steel with zinc dichromate finish for corrosion resistance. Requires standard 2-1/8" (53.97mm) bore through door.

**Backset** – 2-3/8" (60.31mm) or 2-3/4" (69.85mm)

**Door Thickness** – Fits 1-3/8" (34.93mm) to 1-3/4" (44.45mm) doors standard.

**Latch** – Brass 1/2" (12.7mm) throw, UL Listed, guarded latchbolt on all locking functions

**Latch Front** – 1" x 2-1/4" (25.40mm x 57.15mm) for 2-3/8" backset (60.32mm) or 1-1/8" x 2-1/4" for 2-3/4" (69.85mm) backset.

**Exposed Trim** – RK Roses are wrought brass 2-1/2" (63.5mm) diameter. Total projection from face of door is 2-3/4" (69.85mm).

**Strike** – 4-7/8" ANSI (123.83mm), 2-3/4" (69.85mm) T strike, or 2-1/4" (57.15mm) full lip strike.

**Cylinder** – Solid brass 6 pin. Arrow "A" keyway standard. C keyway optional.

**Keys** – 2 brass keys

**Handing** – Non-handed

**Thru-bolts** – Removable thru-bolts standard on RL Series

**Packaging** – 10 per case

**Warranty** – Five Year Mechanical Warranty

## Finishes:

RK is available in 03, 04, 10, 10B, 32 and 32D.

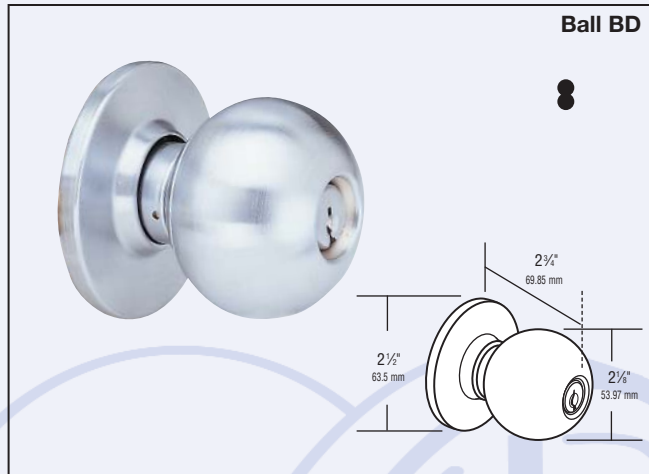
RL is available in 03, 04, 10, 10B, 26 and 26D.



	BHMA	U.S. Equivalent	Arrow Equivalent	Finish
<b>1</b>	605	US3	03	Bright Brass
<b>2</b>	606	US4	04	Satin Brass
<b>3</b>	612	US10	10	Satin Bronze
<b>4</b>	613	US10B	10B	Dark Oxide Bronze, Oil Rubbed
<b>5</b>	629	US32	32	Bright Stainless Steel
<b>6</b>	630	US32D	32D	Satin Stainless Steel

# RK Series Cylindrical Locksets

RK Series knob designs



R Series cylinders

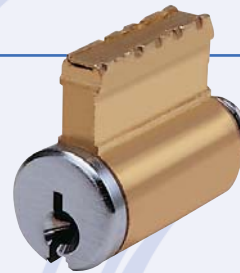
Solid Brass 6 pin cylinder pinned 5 for RK, pinned 6 for RL. "A" Keyway standard. Arrow sectional keyways available. Competitive keyways available. US4, US26D finish.

Tailpieces

Part #	Series
1001-44	RL Series
550AM-44	RK Series

Interchangeable Core

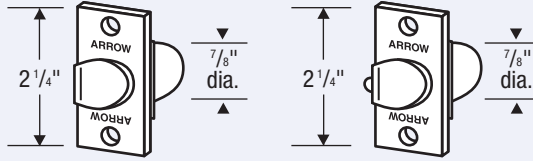
Look for this symbol to indicate availability of product with interchangeable core design.



**Cylinder Part**  
 #100C – RK Series  
 #600HD – RL Series

RK Series Cylindrical Locksets

Latches & Strikes:



Latch Standards	UL Spring Latches	UL Dead Latches	Strikes
2-3/8" Backset	<p>#R72</p>	<p>#R70</p>	<p>#300 #302</p> <p>ANSI 115.3</p>
2-3/4" Backset	<p>#R73</p>	<p>#R71</p>	<p>#303 #306</p> <p>ASA ANSI 115.2</p>

Accessories:

Strikes	R62 Strike	R60 Strike	R61 Strike
	<p>Standard with RL Series</p> <p>ASA ANSI 115.2</p>	<p>Standard with RK Series</p> <p>ANSI 115.3</p>	

Installation:

161 prep for retrofit and secure installation.

