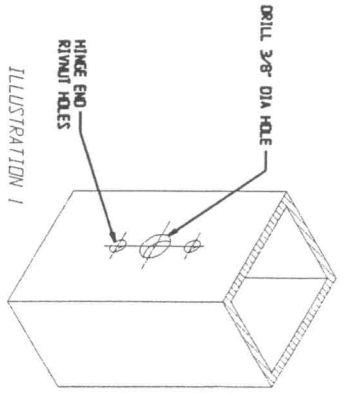
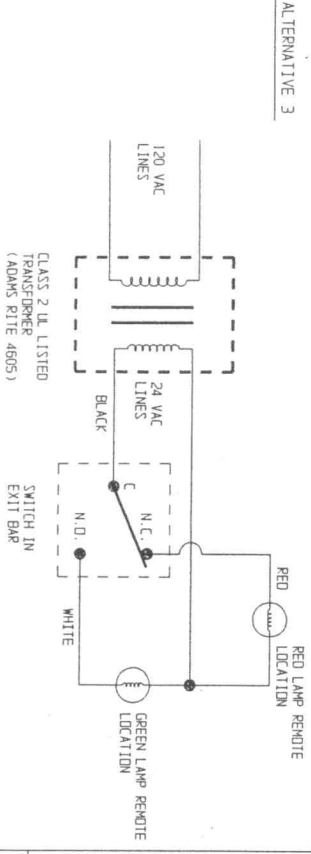
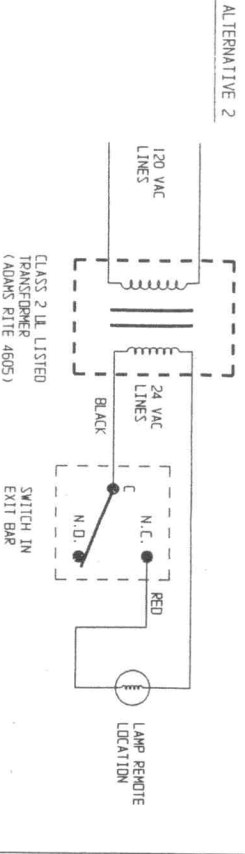
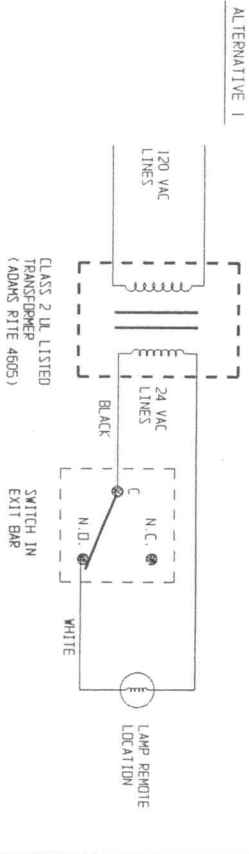


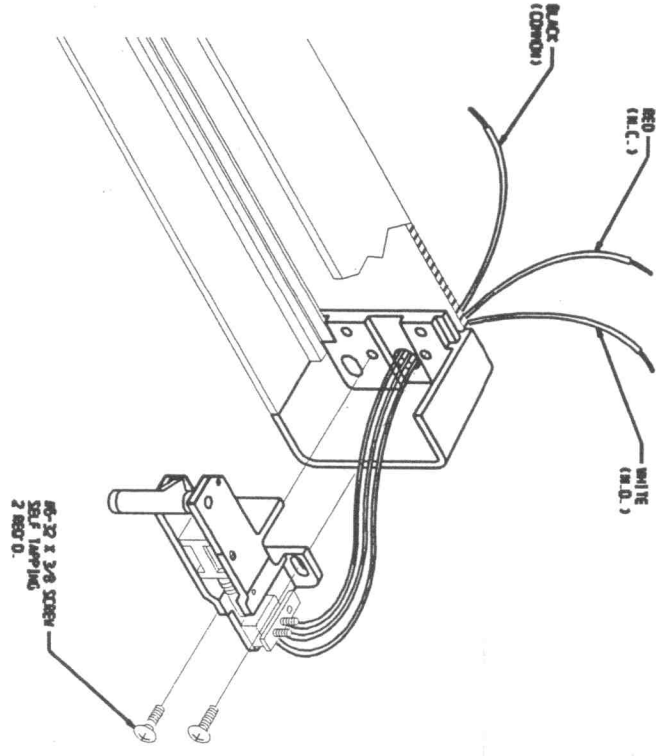
IN ORDER TO MEET UNDERWRITERS LABORATORIES REQUIREMENTS, THE FOLLOWING CONDITIONS MUST BE MET:

- 1) USE A UL LISTED CLASS 2 ENERGY LIMITING TRANSFORMER WITH A MINIMUM POWER OUTPUT OF 12 VA, SUCH AS ADAMS RITE 4605.
- 2) THE TRANSFORMER MUST BE MOUNTED EXTERNAL TO THE DOOR ON A NEARBY JUNCTION BOX IN ACCORDANCE WITH NATIONAL ELECTRICAL CODE.
- 3) THE WIRES MUST BE PROTECTED FROM ABRASION WHERE THEY PASS THROUGH THE HOLE IN THE HINGE RAIL. A RUBBER GROMMET IS SUFFICIENT.

THREE SIMPLE ALTERNATIVES FOR HOOKING UP SWITCH IN MONITORING EXIT BAR



MONITOR SWITCH ASS'Y INSTALLATION



ADAMS RITE MANUFACTURING COMPANY  
CITY OF INDUSTRY, CALIFORNIA 91749

MONITORING SWITCH INSTALLATION  
& WIRING INSTRUCTIONS