

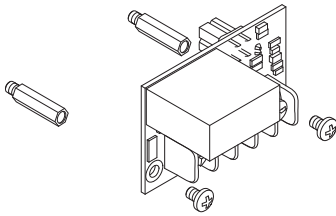


44487072

900-FA Fire Alarm Input



Installation Instructions

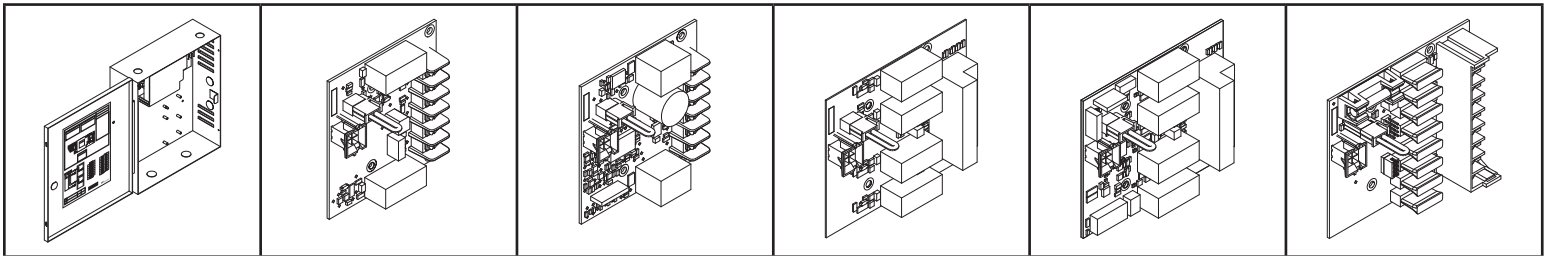


Input (Fire Alarm)	Dry contacts required (Closed = no fire alarm) Connect control contacts between FA1 and FA2
Output (Supervision)	30VDC, 1A resistive dry contact
Board Input Power	Board requires 0.05A max. of power supply output current to operate
Temperature Range	32°-120° F (0°- 49° C)
Compliance	UL 294, ULC-S318, RoHS, & FCC Part 15

The 900-FA Fire Alarm board can be installed on any one of the following power supply or option boards (refer to installation instructions):

WARNING

To avoid risk of electric shock, turn off AC power to power supply before installing or wiring 900-FA board. In the event a fire alarm is active, this board will remove power from the PS902 DC output and any 900-series option board output.



PS902 Power Supply

900 2RS (2 relay)

900-2Q
(2 Relay w/com)

900-4R (4 Relay)

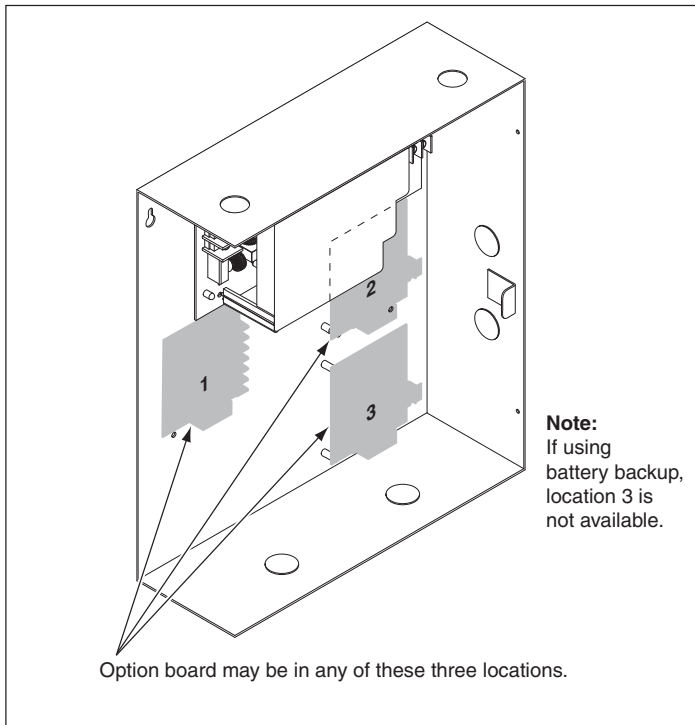
900-4RL
(4 Relay w/logic)

900-8F (8 Zone,
Distribution-fuse)
900-8P (8 Zone,
Distribution-PTC)

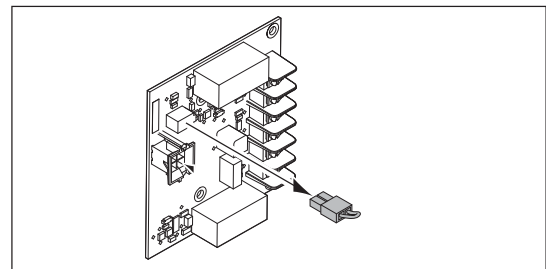
- If 900-FA was factory installed, go to step 2
- If installing to option board, go to 1a
- If installing to PS902 main board, go to 1b

1a If installing to option board

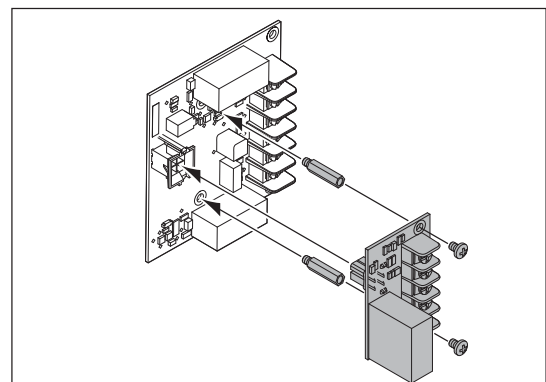
Choose Option Board where 900-FA is to be Installed



Remove Jumper from Option Board



Install 900-FA to Option Board

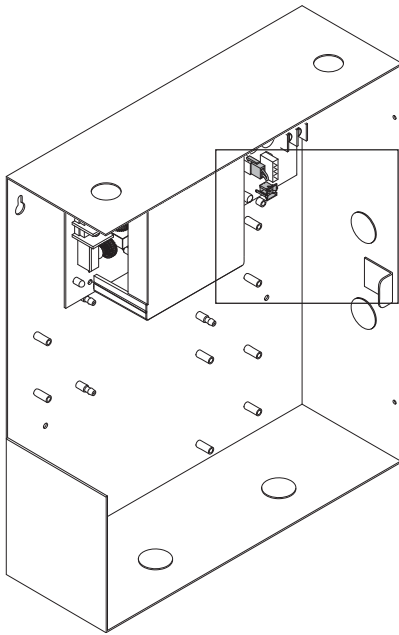


Customer Service

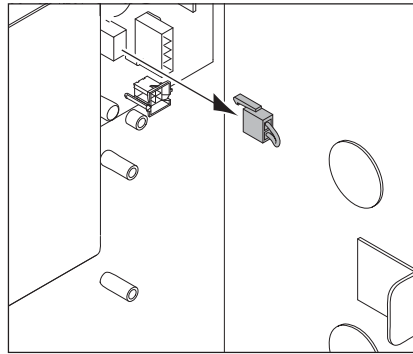
1-877-671-7011

www.allegion.com

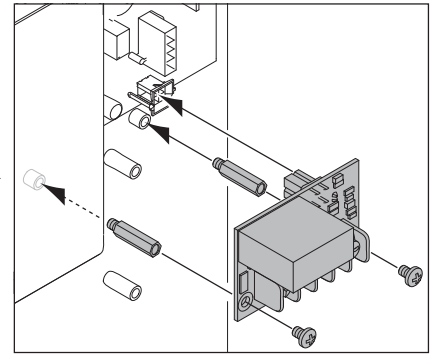
1b If installing to PS902 main board



Remove Jumper



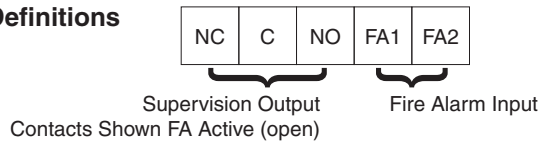
Install 900-FA Here



Note: Complete power failure shall result in a fail safe operation. When connected to a fire alarm releasing control unit, total loss of power for the locking mechanisms shall be configured for a fail safe operation.

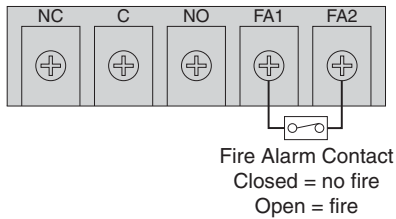
2 900-FA wiring

Terminal Definitions

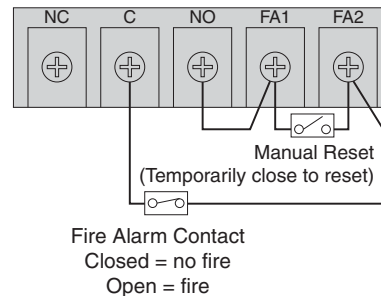


Note: Use 18 gauge wire for all wiring. Wire length dependent on physical layout.

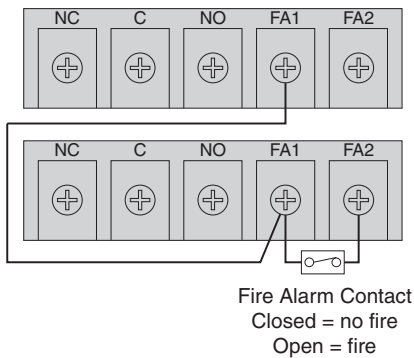
One 900-FA Board - Automatic Reset



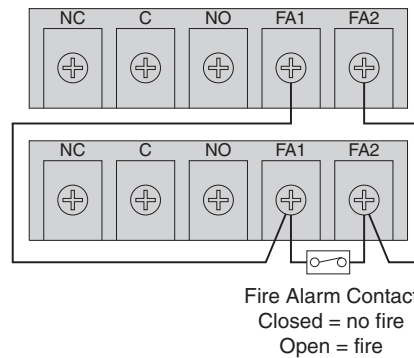
One 900-FA Board - Manual Reset



Two 900-FA Boards on one power supply Automatic Reset



Two 900-FA Boards on two power supplies Automatic Reset



NOTE: WHEN INSTALLATION IS COMPLETE, SECURE ENCLOSURE DOOR WITH SCREWS OR KEYLOCK