



23737901

HDB



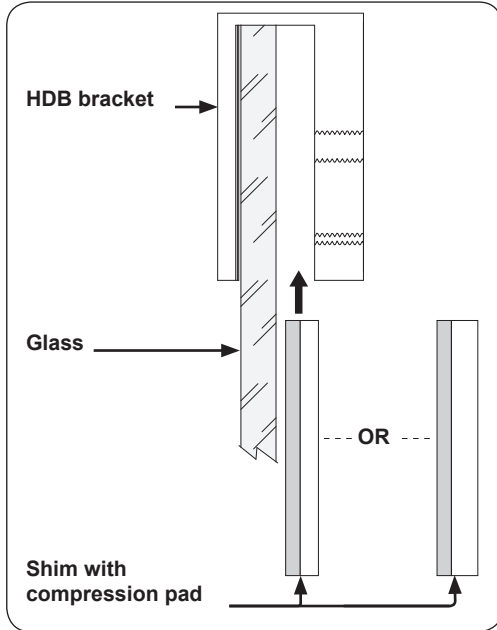
M400 Series Electromagnetic Lock Kit

Installation Instructions

① Herculite Door Bracket (HDB) is to be used with glass doors.

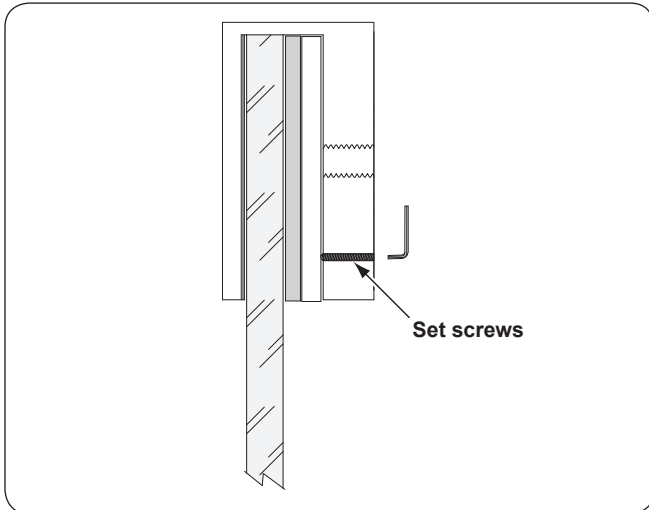
1 Install HDB bracket

1a Select Appropriate Shim



1b Install HDB Bracket

- Install appropriate shim (padded side toward glass)
- Tighten set screws (3/32" hex wrench included)



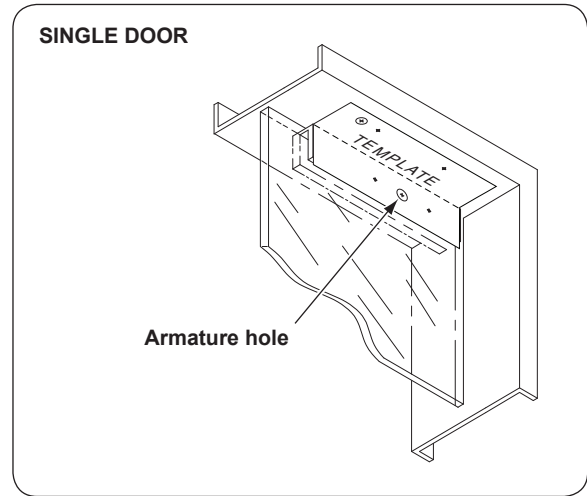
Shim with compression pad to be installed on top of glass opposite the hinge side with the hole for the armature facing toward the "push" side of the opening.

2 Prepare frame

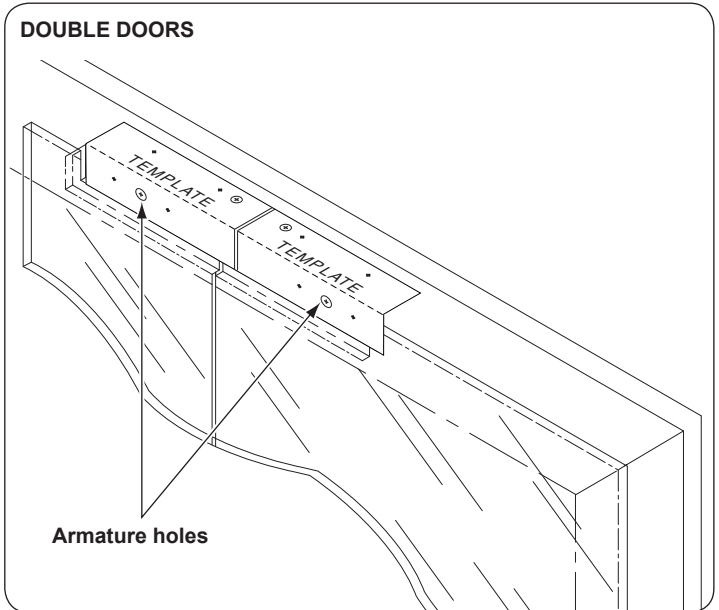
2a Tape Template on HDB Bracket and Frame

- Align armature hole on template with armature hole in HDB bracket
- Prepare frame holes per template

SINGLE DOOR

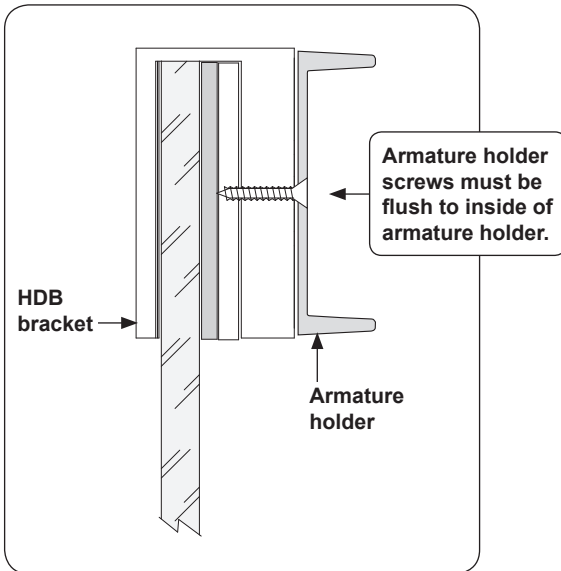
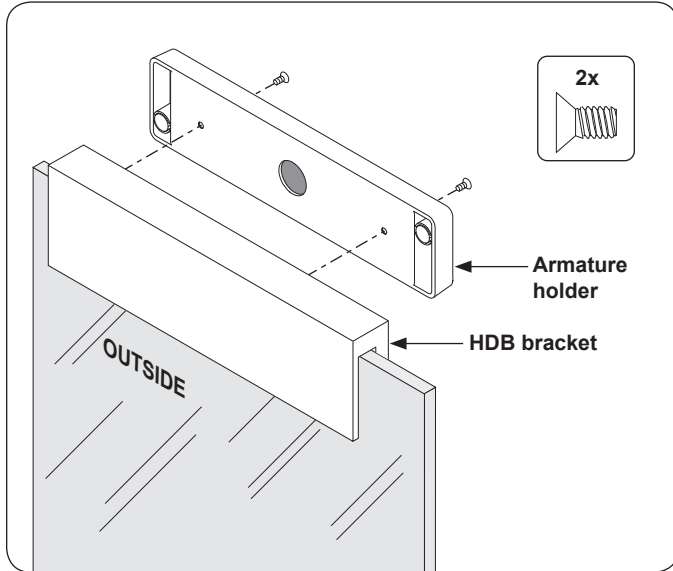


DOUBLE DOORS

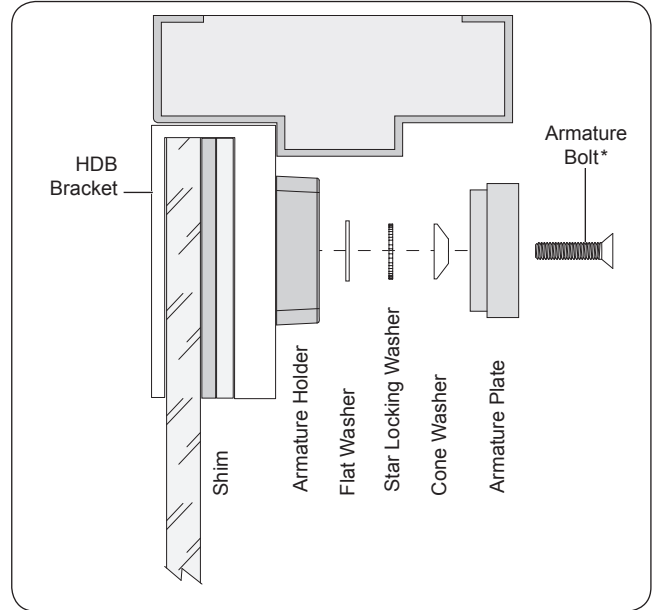


3 Install Magnetic Lock

3a Attach Armature Holder to HDB Bracket



3b Install Armature Plate



- Armature bolt must be tightened to 120 in-lbs.
- Use bolt supplied in HDB kit.
- M490 armature must be disassembled to replace armature bolt

3c Continue Installation Per Magnetic Lock Installation Instructions

Customer Service

1-877-671-7011 www.allegion.com/us



© Allegion 2014
Printed in China
23737901 Rev. 04/14-c