

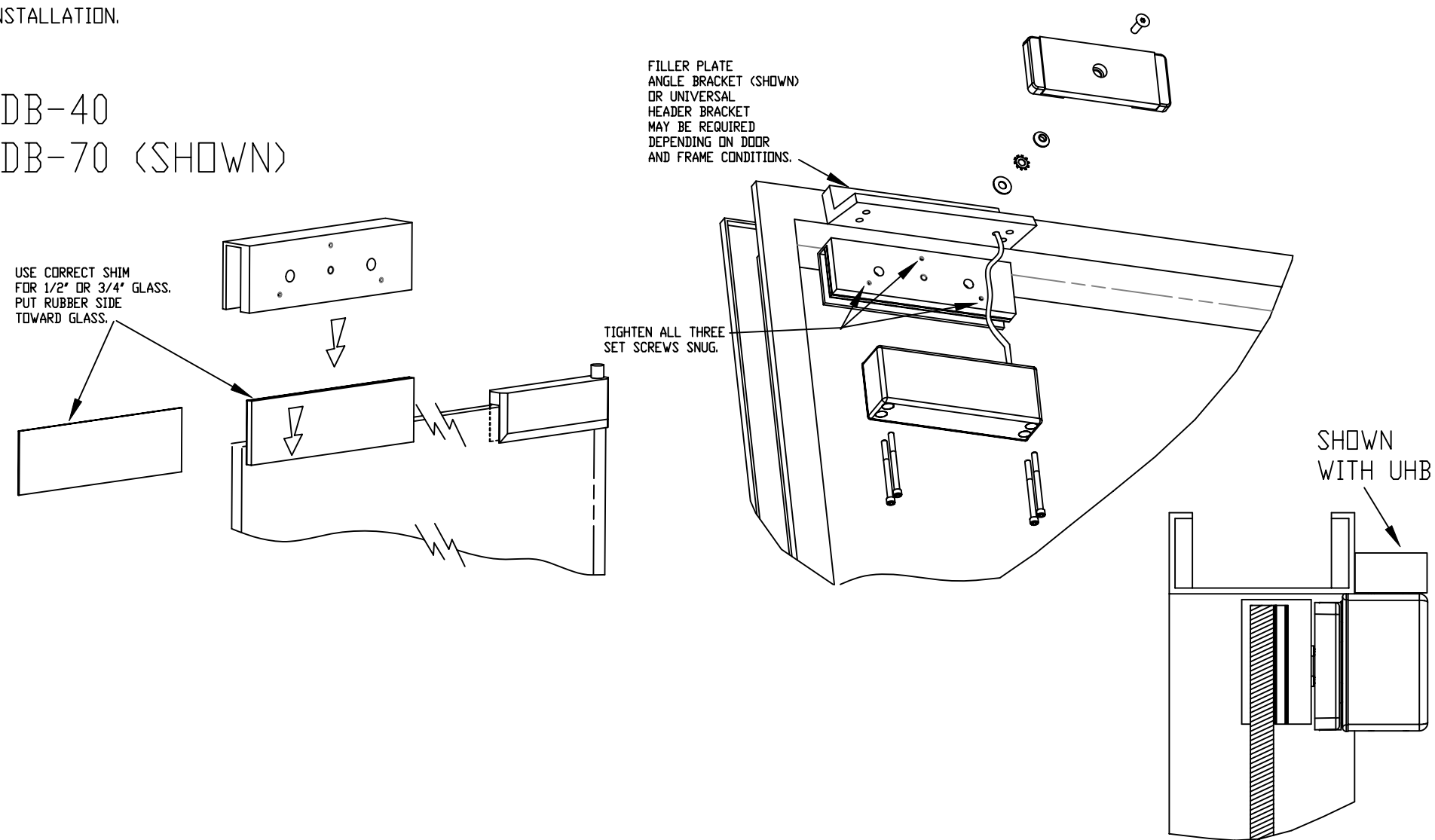
# LOCKNETICS®

## 40 & 70 SERIES MAGNETIC LOCK ACCESSORIES

THE PICTURES ON THIS SHEET SHOW MANY TYPICAL SITUATIONS WHICH CAN BE HELPED BY USING THE AVAILABLE MOUNTING ACCESSORIES. ALWAYS BE SURE THAT THE MAGNETIC LOCK IS PROPERLY FASTENED TO THE DOOR AND FRAME FOR A SECURE AND SAFE INSTALLATION.

HDB-40

HDB-70 (SHOWN)



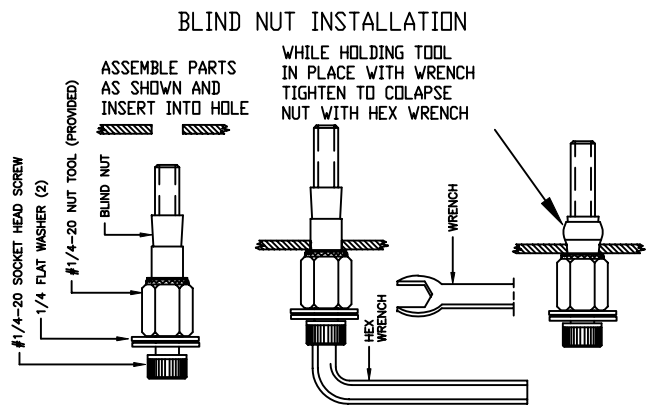
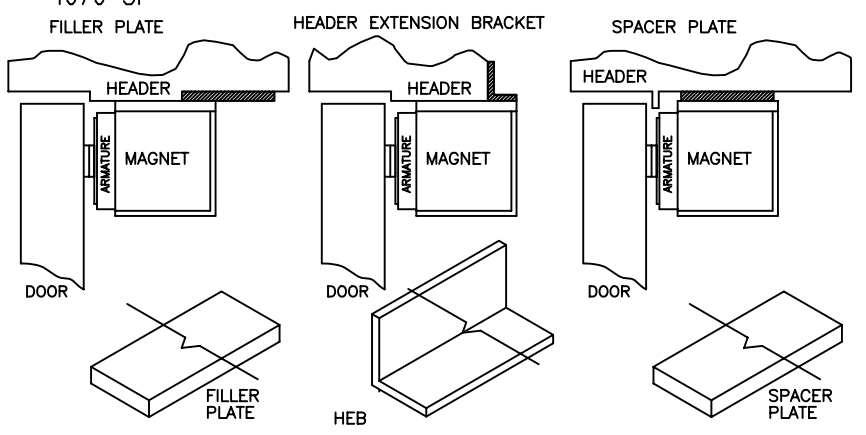
P/N 700251  
11/21/03

4070-1F  
4070-2F  
4070-3F  
4070-4F  
4070-5F

HEB

ASB-40  
ASB-70  
FOR BLADE STOP SPACING

CWB-40  
CWB-70 (SHOWN)  
CONCRETE/WOOD BRACKET



UHB MOUNTED VERTICALLY

UHB MOUNTED HORIZONTALLY

HOLE SIZE IS 3/8" FOR  
BLIND NUTS. DRILL/TAP  
1/4-20 FOR REINFORCED  
FRAMES

P/N 700251  
11/21/03

