



39475

Dress Cover

Installation Instructions
40 and 70 Series Magnetic Lock

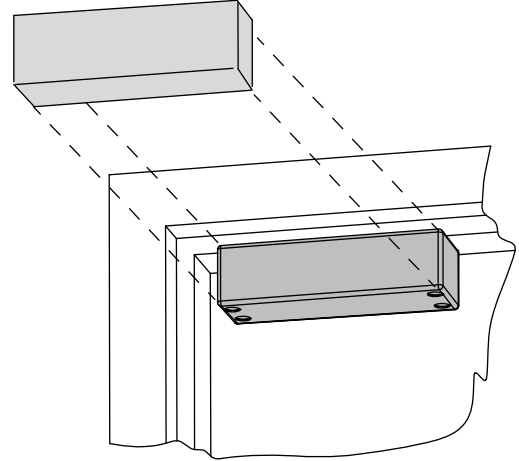


General Installation Instructions

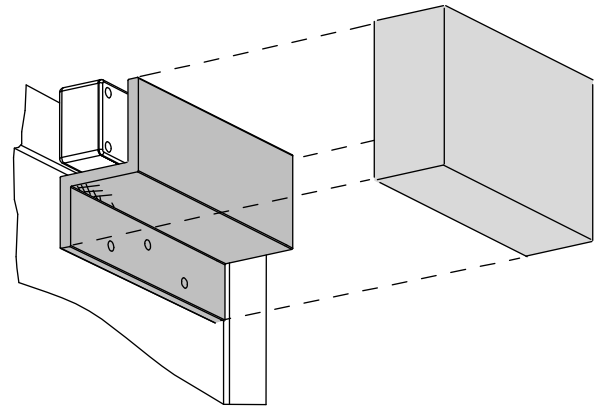
1 Install magnetic lock and adjust.
Use installation instructions included with the lock.

2 Remove sticky tape backing from inside dress covers and apply to lock.
Use diagrams on the right.

40/70 Application



40/70 TJ Application



72 Application

