



ASSA ABLOY

HES, Inc.

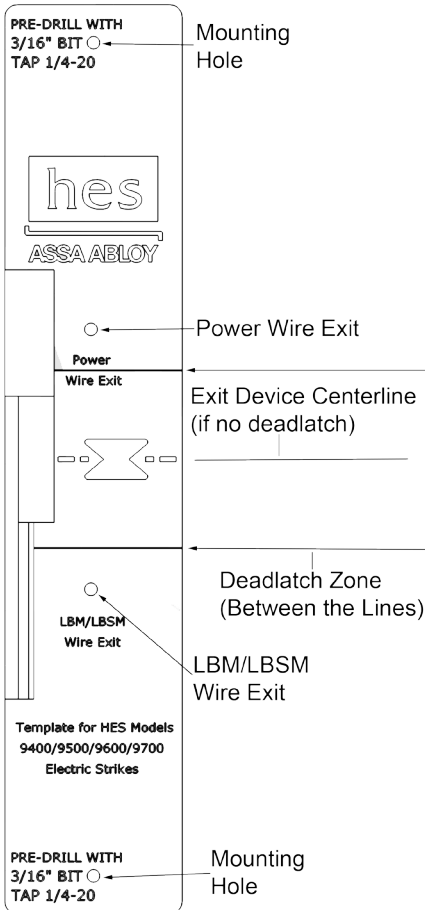
10027 South 51st Street, Suite 102

Phoenix, AZ 85044

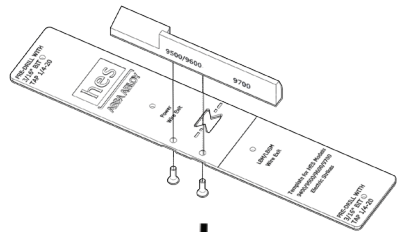
Phone: (800) 626-7590

www.hesinnovations.com

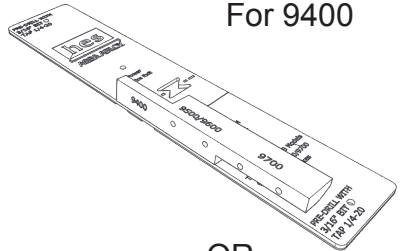
9400/9500/9600/9700 Series Electric Strike Installation Template



9500/9600

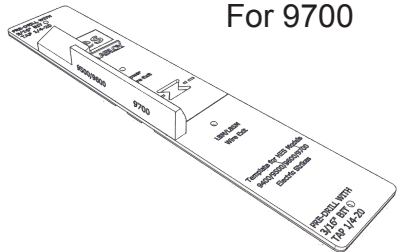


For 9400



—OR—

For 9700



Using the Installation Template

1. REMOVE the existing strike plate from the door.

NOTE: The 9400/9500/9600/9700 series electric strike installation template keeper block is factory pre-set to the 9500/9600 electric strike position.

2. CONFIGURE the keeper block for the appropriate strike (see figures on Page 1).

NOTE: The 9400/9500/9600/9700 series electric strike installation template has magnetic tape to keep it in place on a metal door frame.

3. ALIGN the template on the door frame, and ENSURE the door latch bolt is properly aligned both horizontally and vertically with respect to the keeper block.

NOTE: When using most exit devices equipped with an offset dead latch, such as the Corbin Russwin 5000 series or the Yale 7000 series, the entire deadlatch should be located no more than 7/8" from the centerline of the strike.

4. DETERMINE the horizontal centerline of the exit device deadlatch to the keeper block using the center alignment sight in the template, and ADJUST as necessary.

5. OPEN door, leaving the template in place.

6. MARK the upper and lower positions for the electric strike mounting holes using the 'PRE-DRILL WITH 3/16" BIT, TAP 1/4-20' holes on the template, the power wire exit hole, and the LBM/LBSM wire exit hole (as required).

7. CENTER PUNCH and DRILL the electric strike mounting holes, wire exit hole, and LBM/LBSM hole using a 3/16" drill bit.

8. TAP the drilled mounting holes using the 1/4"-20 UNC tap.

9. TEST FIT the electric strike to ensure full deadlatch engagement.

10. INSTALL electric strike in accordance with installation instructions.



ASSA ABLOY

HES, Inc.

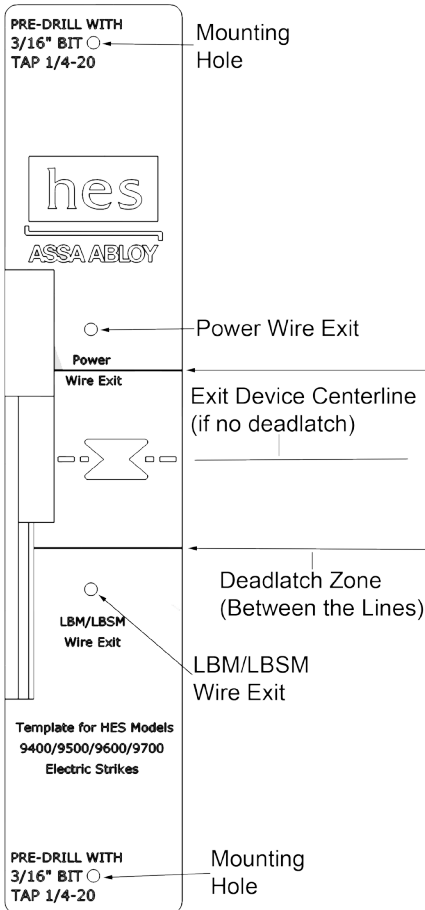
10027 South 51st Street, Suite 102

Phoenix, AZ 85044

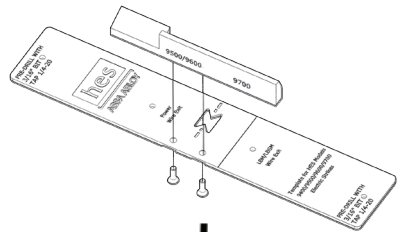
Phone: (800) 626-7590

www.hesinnovations.com

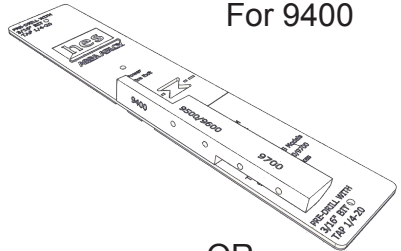
9400/9500/9600/9700 Series Electric Strike Installation Template



9500/9600

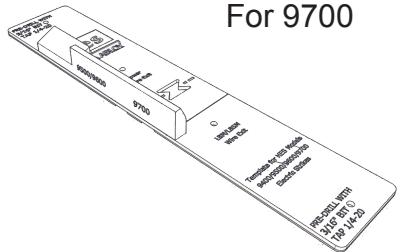


For 9400



—OR—

For 9700



Using the Installation Template

1. REMOVE the existing strike plate from the door.

NOTE: The 9400/9500/9600/9700 series electric strike installation template keeper block is factory pre-set to the 9500/9600 electric strike position.

2. CONFIGURE the keeper block for the appropriate strike (see figures on Page 1).

NOTE: The 9400/9500/9600/9700 series electric strike installation template has magnetic tape to keep it in place on a metal door frame.

3. ALIGN the template on the door frame, and ENSURE the door latch bolt is properly aligned both horizontally and vertically with respect to the keeper block.

NOTE: When using most exit devices equipped with an offset dead latch, such as the Corbin Russwin 5000 series or the Yale 7000 series, the entire deadlatch should be located no more than 7/8" from the centerline of the strike.

4. DETERMINE the horizontal centerline of the exit device deadlatch to the keeper block using the center alignment sight in the template, and ADJUST as necessary.

5. OPEN door, leaving the template in place.

6. MARK the upper and lower positions for the electric strike mounting holes using the 'PRE-DRILL WITH 3/16" BIT, TAP 1/4-20' holes on the template, the power wire exit hole, and the LBM/LBSM wire exit hole (as required).

7. CENTER PUNCH and DRILL the electric strike mounting holes, wire exit hole, and LBM/LBSM hole using a 3/16" drill bit.

8. TAP the drilled mounting holes using the 1/4"-20 UNC tap.

9. TEST FIT the electric strike to ensure full deadlatch engagement.

10. INSTALL electric strike in accordance with installation instructions.