

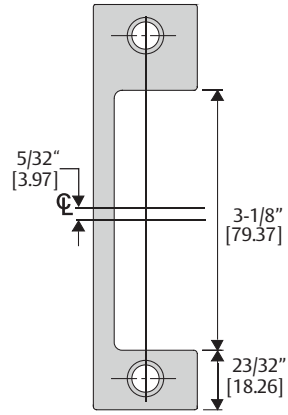
Faceplate Options

(4-7/8" x 1-1/4" SQUARE CORNER)

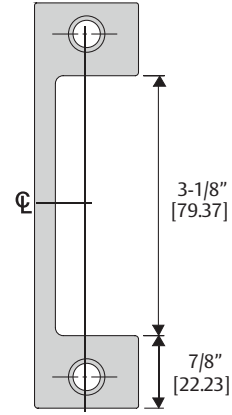
☒ = center line of faceplate
(2nd line = center line of faceplate opening)

Inches [Millimeters]

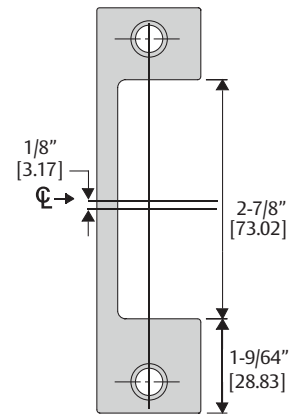
AD, HD, ND & TD



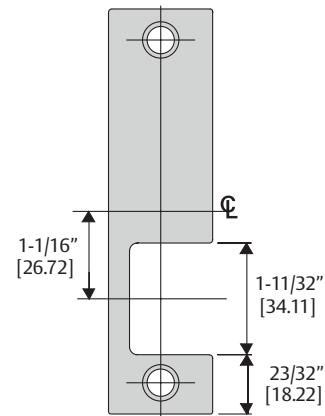
A, H, HT, N & T



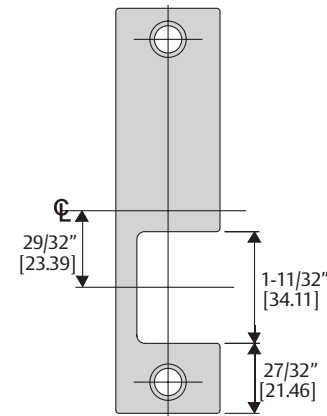
AM, HM, & NM



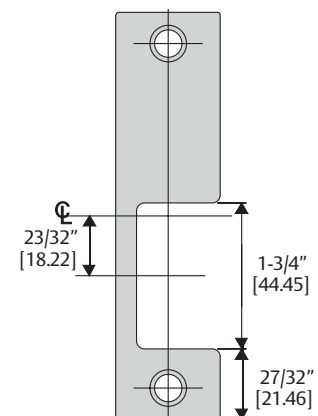
KD



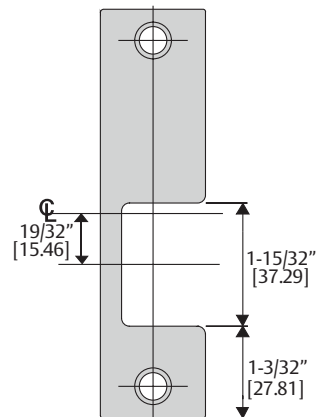
K



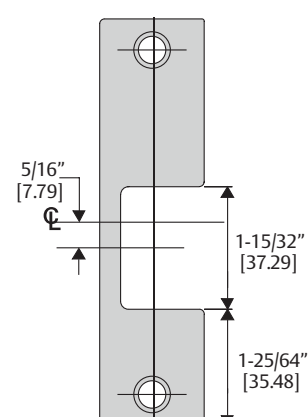
R



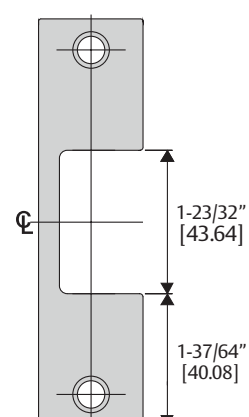
KM



Z

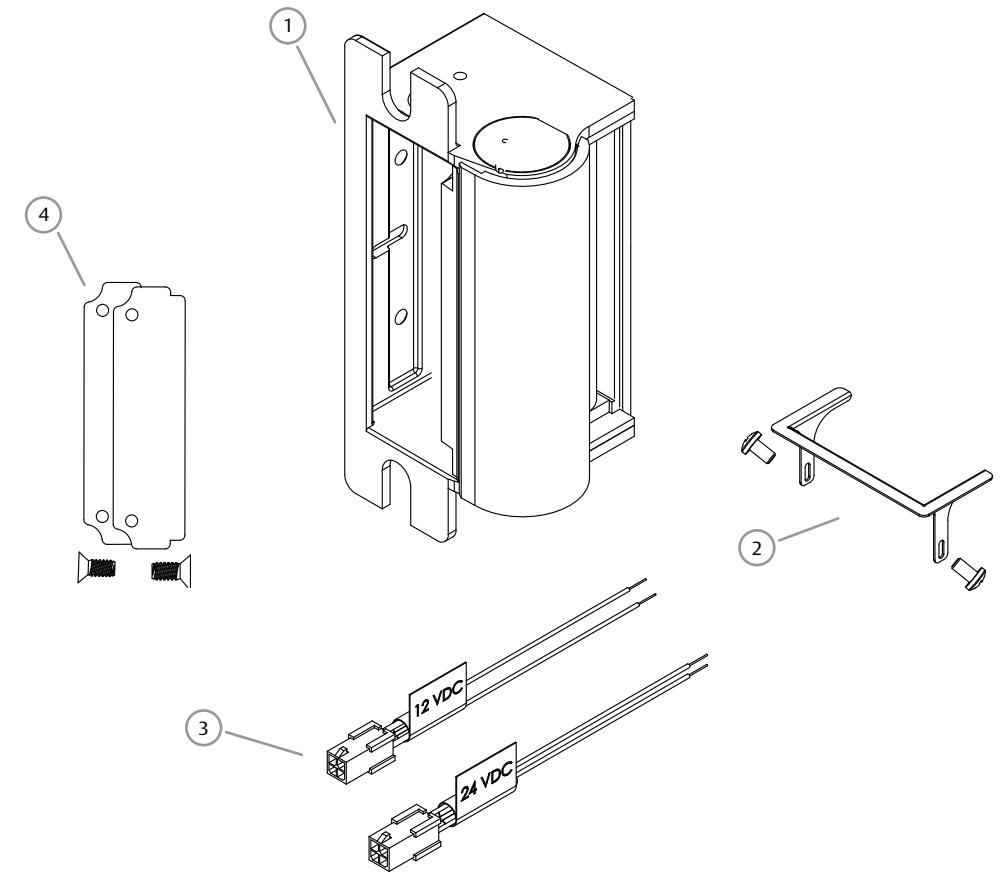


J, E



Product Components

- ① 1006 Electric Strike Body
- ② Trim Enhancer (with screws)
- ③ 12 & 24 Volt Pigtails
- ④ Keeper Shims (2, with screws)



Electrical Specifications

ELECTRICAL RATINGS FOR SOLENOID		
CONTINUOUS DUTY	12 VDC	24 VDC
Resistance in Ohms	25	100
Amps	.48	.24
Solenoids are rated at +/- 10% indicated value.		

MINIMUM WIRE GAUGE REQUIREMENTS (One Way)		
SOLENOID VOLTAGE	12 VDC	24 VDC
200 feet or less	18 gauge	18 gauge
200 - 300 feet	16 gauge	18 gauge
300 - 400 feet	14 gauge	16 gauge

Installation Directions

CAUTION! Before connecting any device at the installation site, verify input voltage using a multimeter. Many power supplies and low voltage transformers operate at higher levels than listed. Any input voltage exceeding 10% of the solenoid rating may cause severe damage to the unit and will void the warranty.

Preparing the Strike

NOTE: For 12V DC, the pigtail marked "12 VDC" should be used. For 24V DC, the pigtail marked "24 VDC" should be used.

1. SELECT the appropriate Plug In Connector that matches system power and electrically CONNECT as illustrated in Diagram 2.
2. IF no connector is present, THEN CONFIGURE the wires as illustrated in Diagram 2.
3. IF using the Latchbolt Monitor (LBM) or Latchbolt Strike Monitor (LBSM), THEN REFER to Diagrams 3 and 4 to complete wiring.

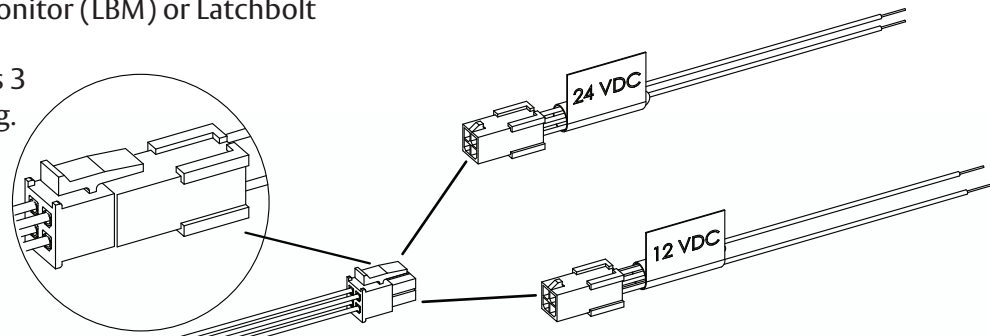
Preparing the Frame

NOTE: Cutout templates are detailed on Page 3 and faceplate options are detailed on Page 4.

4. PREPARE the frame using appropriate lockset template and faceplate combination.

Finishing the Installation

5. ATTACH the electric strike to the jamb using the screws provided with the faceplate option kit.



IF CONNECTOR IS MISSING

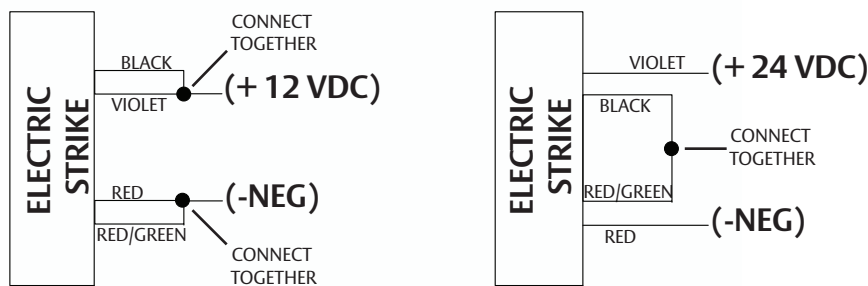


Diagram 2. 12V to 24V Conversion

LBM WIRING

White	Common
Orange	Normally Open
Green	Normally Closed

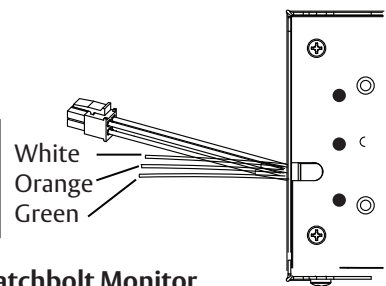


Diagram 3. Latchbolt Monitor

LBSM WIRING

Brown	Common
Blue	Normally Open
Yellow	Normally Closed

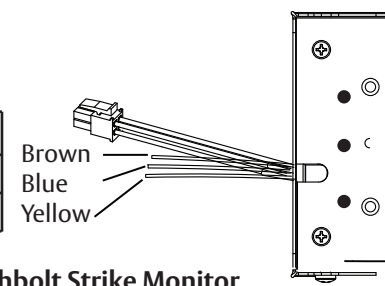


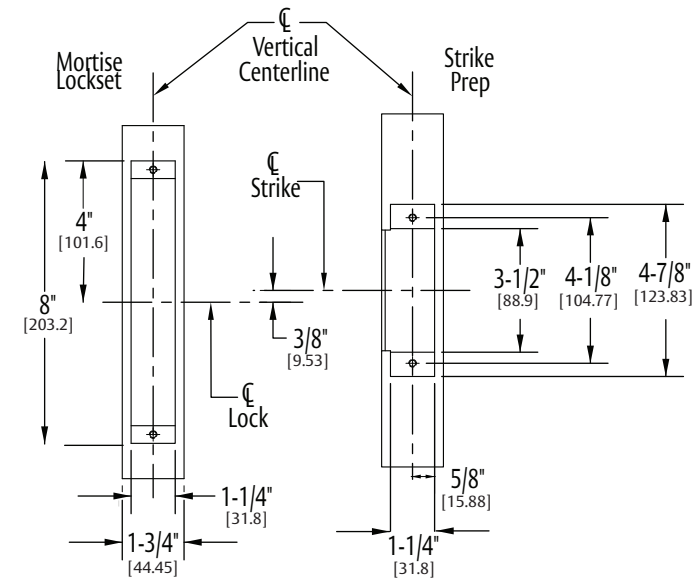
Diagram 4. Latchbolt Strike Monitor

Cutout Templates

Inches [Millimeters]

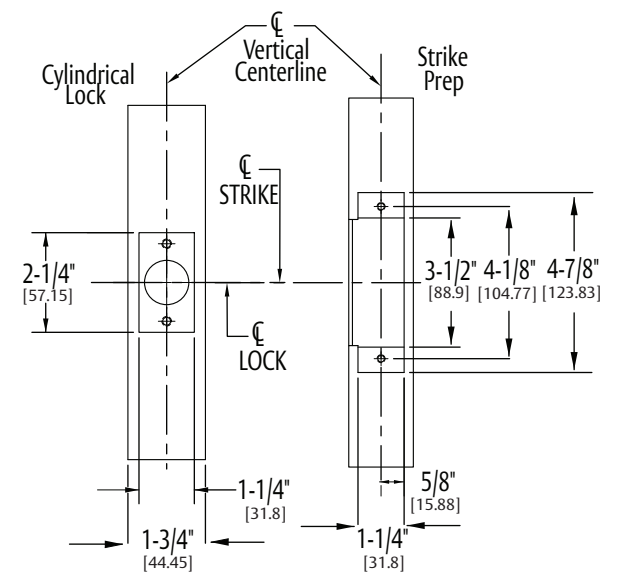
1006 WITH MORTISE LOCKSETS

Please note the horizontal centerline of the electric strike in relation to the centerline of the mortise lockset.



1006 WITH CYLINDRICAL LOCKSETS

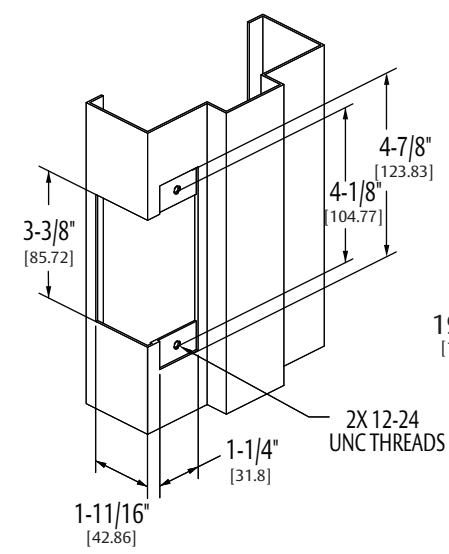
Please note the horizontal centerline of the electric strike in relation to the centerline of the cylindrical lockset.



METAL JAMB INSTALLATION FOR 1006 SERIES FACEPLATES

Cutout dimensions for option faceplates: J, K, KM, N, NM, A, AM, H, HM, HT, T, Z, R and E

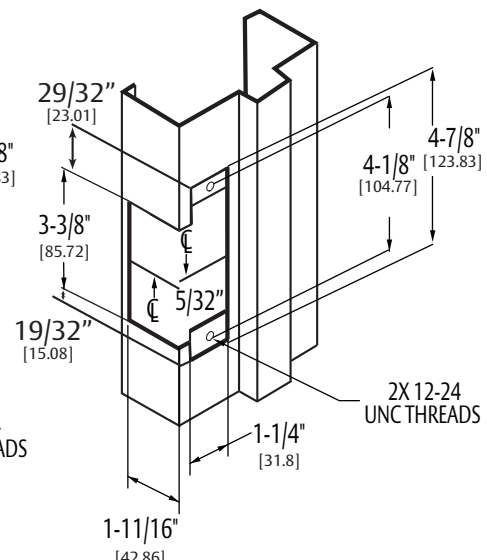
NOTE: Normally used with mortise locks without deadbolt. Not used with Schlage L9000 or Yale 8700 series.



METAL JAMB INSTALLATION FOR 1006-D SERIES FACEPLATES

Cutout dimensions for option faceplates: KD, ND, AD, HD, HTD and TD

NOTE: Normally used with mortise locks with deadbolt. Can be used with Schlage L9000 or Yale 8700 series.



WOOD JAMB INSTALLATION FOR 1006-2 SERIES FACEPLATES

Cutout dimensions for option faceplates: J2, K2, KM2, N2, T2, H2 AND A2

