

The 7501 electric strike is ideal for fire rated applications with preload conditions caused by a warped or misaligned door, weather stripping, a smoke seal or any other condition that could cause door bind. The heavy duty stainless steel construction provides the strength and durability required to accommodate fire rated latchbolts up to 3/4" throw.

What is Preload?

Simply stated, door preload is pressure exerted on a door, that is transferred to the keeper of the electric strike by the latch. A number of conditions can cause door preload including pressure from HVAC systems, thermal bowing, thick door seals or heavy weatherstripping, misaligned, damaged, bent, warped doors, or user anticipation. When pressure is applied to some models of electric strikes, the keeper may not release because the pressure binds it against the latch. Door preload can prevent the smooth unlocking of the electric strike or even disable it—preventing the door from being opened.

7501 Series

The grade 1, fire-rated, preload solution

Specifications

- UL 10C fire-rated, 3 hour (fail secure only)
- CAN4-S104 (ULC-S104) fire door conformant
- UL 1034, burglary-resistant listed
- UL 294 (6th Edition) listed
- ANSI/BHMA A156.31, Grade 1
- NFPA-252 fire door conformant
- ASTM-E152 fire door conformant

- MEA New York City accepted
- RoHS compliant

Frame Application

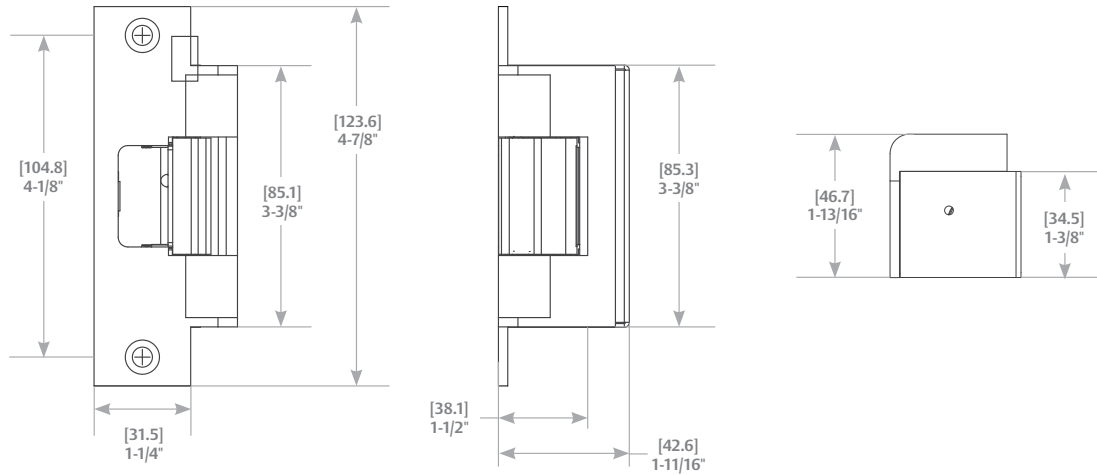
- Metal
- Wood

Electrical (continuous duty)

- .45 Amps at 12 VDC
- .25 Amps at 24 VDC
- PoE friendly

7501 Models

7501	Universal electric strike	Includes faceplate for cylindrical locksets
RF7510	Integrated Prox	Includes the strike body, Prox reader and door position switch
IC7520	Integrated iCLASS®	Includes the strike body, iCLASS reader and door position switch



Standard Features

- Stainless steel construction
- Tamper-resistant
- Static strength 1,500 lbs.
- Dynamic strength 70 ft-lbs.
- Endurance 500,000 cycles
- Field selectable fail secure/fail safe
- Accommodates preload (up to 15lbs: fail secure only)
- Non-handed
- Internally mounted solenoid
- Strike body depth 1-11/16"
- Plug-in connector

- Trim enhancer
- Five-year limited warranty

Optional Features

LBM » Latchbolt monitor

Accessories

- 150 » Strike latch guard
- 154-MTK » Metal template kit
- 2001M » Plug-in bridge rectifier
- 2004M » ElectroLynx® adapter
- 2005M3 » SMART Pac® III
- 2006M » Plug-in buzzer

Finishes

- 630 » Satin stainless steel
- 605 » Bright brass
- 606 » Satin brass
- 612 » Satin bronze
- 613 » Bronze toned
- 629 » Bright stainless steel



Operation: After releasing the latchbolt, the keeper returns to the locked position.



4-7/8" x 1-1/4" x 1-11/16"

7501

For use with: Cylindrical locksets up to a 3/4" throw

» ANSI/BHMA Numbers: E09321, E09322, E09323



CYLINDRICAL
LOCKSETS



FIELD SELECTABLE
(FAIL SECURE/
FAIL SAFE)



FIRE RATED



GRADE 1



UL 1034
BURGLARY
LISTED

hes
ASSA ABLOY