



The 7000 Series is also available in a **Complete One Box Solution**

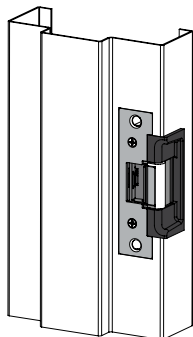
7000 Series

The dual, preload solution for cylindrical latch bolts and rim exit devices

Shown with 701 Option

The 7000 Series offers two solutions to address preloaded doors. The in-frame adjustable feature allows the installer to easily adjust the electric strike opening to accommodate the horizontal position of the latchbolt after installation.

The preload release function allows the electric strike to operate smoothly throughout the year under varying loads on the door caused by air-conditioning pressure, changes in the weather, warped doors or doors with weather stripping that often bind standard electric strikes. This unit accommodates cylindrical latchbolts up to 5/8" throw and rim exit latchbolts up to 3/4" throw.



Specifications

- UL 1034, burglary-resistant listed
- UL 294 (6th Edition) listed
- ANSI BHMA A156.31, Grade 1 (791 and 792 options)
- ANSI/BHMA A156.31, Grade 2 (783S, 786S, and 789S options)
- MEA New York City accepted
- RoHS compliant

Frame Application

- Metal
- Wood

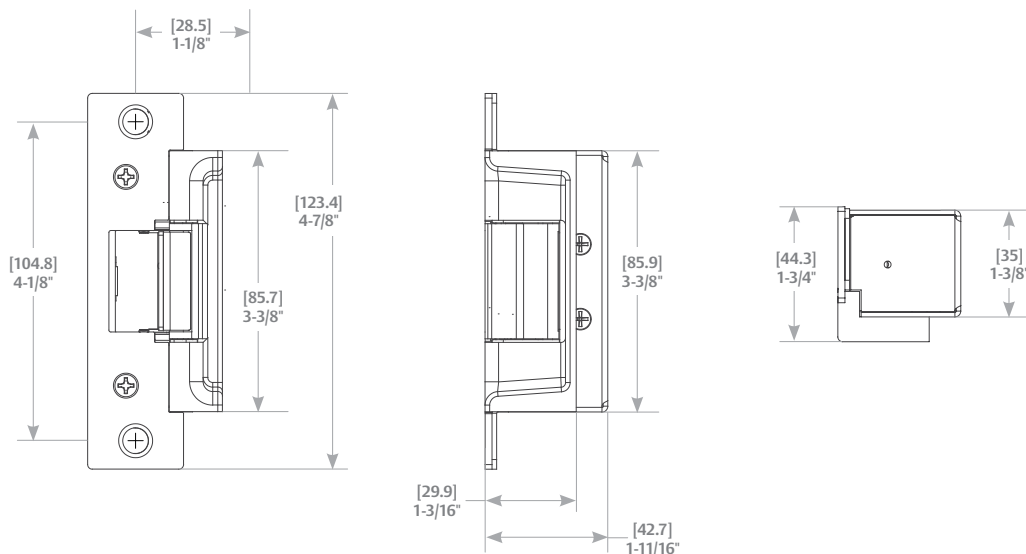
Electrical (continuous duty)

- .45 Amps at 12 VDC
- .25 Amps at 24 VDC

7000 Models

7000	Universal electric strike	Faceplate options ordered separately, see page 31
7000C*	Complete electric strike	Includes the 791 and 792 faceplates
RF7010	Integrated Prox	Includes the strike body, Prox reader and door position switch
IC7020	Integrated iCLASS®	Includes the strike body, iCLASS reader and door position switch

**Complete Pac is for cylindrical latchbolt only*



Standard Features

- Stainless steel construction
- Tamper-resistant
- Static strength 1,500 lbs. (791 and 792 options)
- Dynamic strength 70 ft-lbs. (791 and 792 options)
- Static strength 1,000 lbs. (783S, 786S, and 789S options)
- Dynamic strength 50 ft-lbs. (783S, 786S, and 789S options)
- Endurance 500,000 cycles
- Field selectable fail secure/fail safe
- Accommodates preload (up to 15lbs: fail secure only)
- Horizontal adjustment
- Non-handed
- Internally mounted solenoid
- Strike body depth 1-11/16"
- Plug-in connector
- Trim enhancer (791 and 792 options)
- Pocket adapter (786S and 789S options)
- Three-year limited warranty

Optional Features

LBM » Latchbolt monitor

Accessories

SMB » Surface mounting box (783S and 789S options)

7000-104 » Lip extension trim adapter

7000-105 » Trim enhancer (goof plate)

7000-106 » Keeper pocket adapter

7000-107 » Full keeper shim pack

7000-108 » 1/8" spacer plate (783S and 789S options, black finish only)

7000-110 » Replacement strike plate (791 and 792 option)

150 » Strike latch guard

154-MTK » Metal template kit

2001M » Plug-in bridge rectifier

2004M » ElectroLynx® adapter

2005M3 » SMART Pac® III

2006M » Plug-in buzzer

Finishes

(791 and 792 options)

630 » Satin stainless steel

605 » Bright brass

606 » Satin brass

612 » Satin bronze

613E » Dark oxidized satin bronze

629 » Bright stainless steel

BLK » Black

**Complete Pacs are only available in the 630 finish*

Finishes

(783S, 786S and 789S options)

613E » Dark oxidized satin bronze

630 » Satin stainless steel



CYLINDRICAL
LOCKSETS



RIM EXIT
DEVICES



FIELD-SELECTABLE
(FAIL SECURE/
FAIL SAFE)

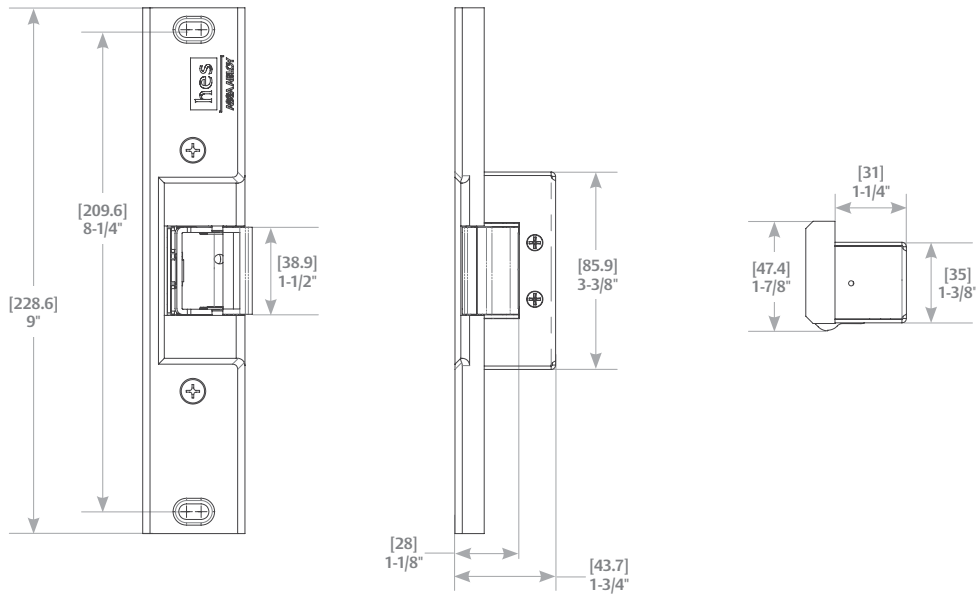


UL 1034
BURGLARY
LISTED

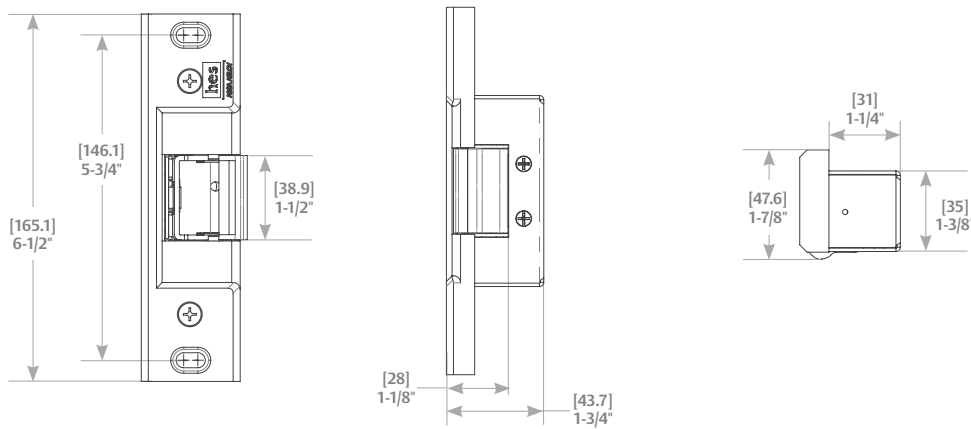


7000 Series Rim Exit Device Options

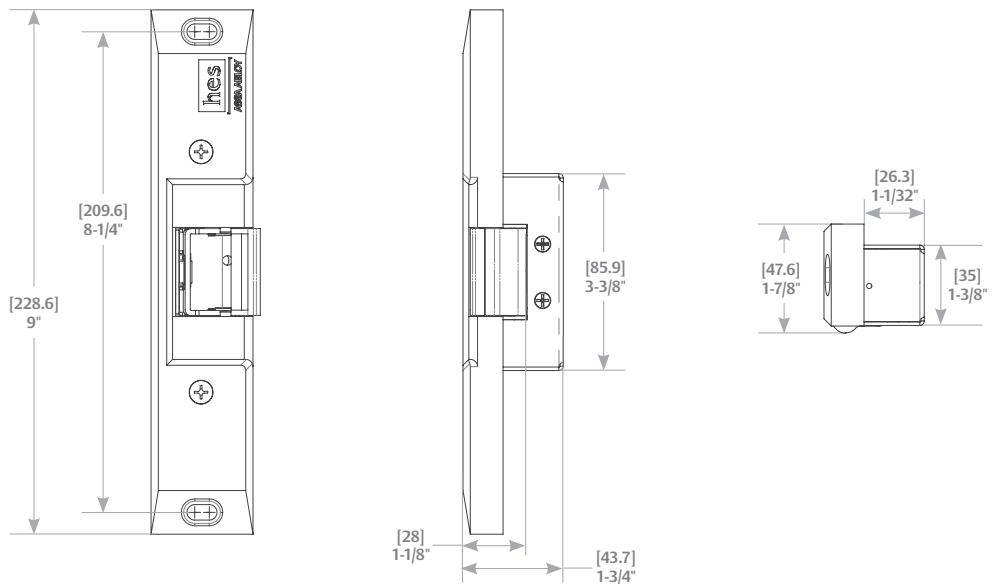
783S Option



786S Option



789S Option



7000 Series Faceplate Options



Operation: After releasing the latchbolt, the keeper returns to the locked position



4-7/8" x 1-1/4"

791 Option

For use with: Cylindrical locksets up to 5/8" throw

» ANSI/BHMA Numbers: E09321, E09322, E09323



GRADE 1



7-15/16" x 1-7/16"

792 Option

For use with: Cylindrical locksets up to 5/8" throw

» ANSI/BHMA Numbers: E09321, E09322, E09323



GRADE 1



Operation: After releasing pullman latch, the keeper returns to the locked position



9" x 1-3/4" x 11/16"

783S Option

For use with: Rim exit devices in metal jambs with up to a 3/4" pullman latch

Compatible locksets: American Device, Arrow, Dor-O-Matic, Monarch, Precision, Sargent, Von Duprin, Yale

» ANSI/BHMA Numbers: E09311, E09312, E09313



GRADE 2



6-1/2" x 1-3/4" x 1/2"

786S Option

For use with: Rim exit devices in aluminum jambs and surface mounted vertical rod exit devices with up to a 3/4" pullman latch. Includes keeper pocket adapter.

Compatible locksets: American Device, Arrow, Dor-O-Matic, Jackson, Monarch, Precision, Sargent, Von Duprin, Yale

» ANSI/BHMA Numbers: E09311, E09312, E09313



GRADE 2



9" x 1-3/4" x 1/2"

789S Option

For use with: Rim exit devices in aluminum jambs with up to a 3/4" pullman latch. Includes keeper pocket adapter.

Compatible locksets: American Device, Arrow, Dor-O-Matic, Jackson, Monarch, Precision, Sargent, Von Duprin, Yale

» ANSI/BHMA Numbers: E09311, E09312, E09313



GRADE 2

"For use with" information is offered as a recommendation only. Reference should be made to the lockset manufacturer for proper installation instructions necessary to meet compatibility requirements.