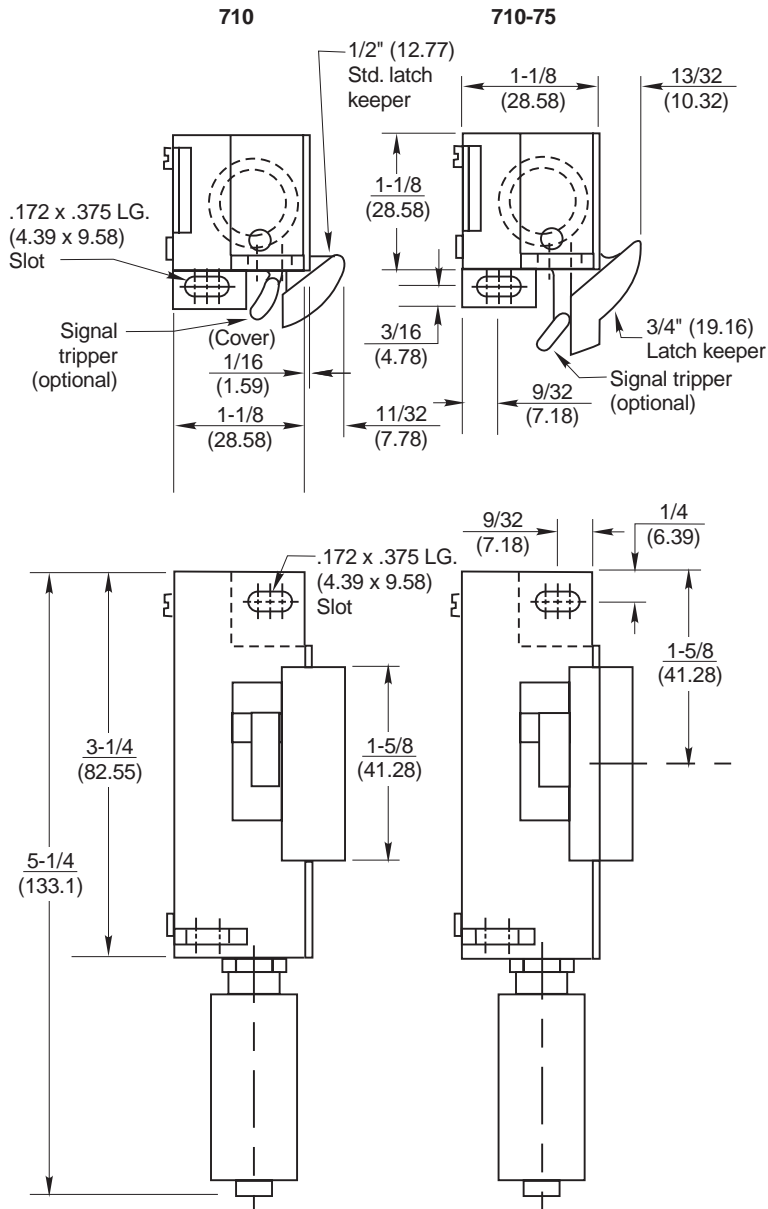
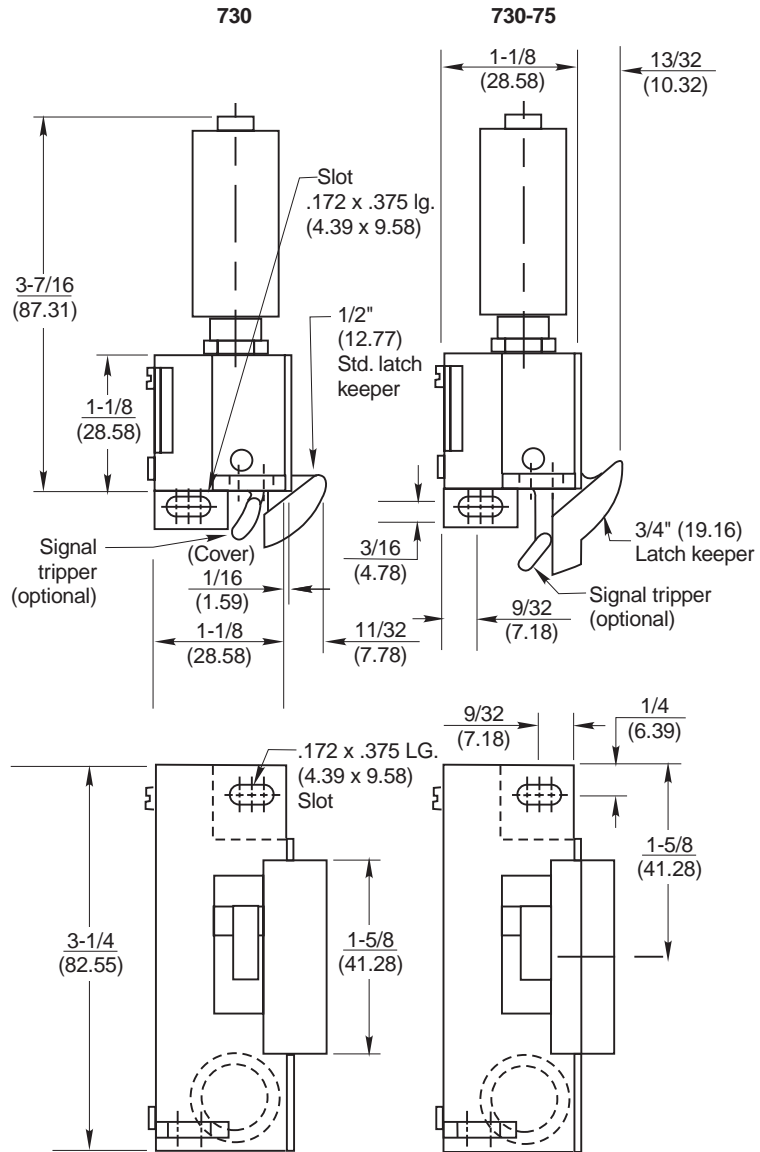


710 Electric Strike



730 Electric Strike



NOTES:

1. DO NOT SCALE - All dimensions in inches (mm).
2. Dimensions subject to change without notice.
3. Door & frame manufacturers are responsible for providing adequate construction or reinforcements for proper installation of hardware.
4. Tolerances shown are for cutouts.
5. Refer to catalog for standard & optional features.

Locking mechanism only - without faceplate. For use with custom applications or as a replacement. To be used with one of the standard faceplates.

710, 710-75, 730, 730-75 Strikes



REF. REPAIR PART DWG.

P.O. BOX 25288, CHARLOTTE, NC 28229-8010

TEMPLATE NUMBER

092-0250-019

DATE

9-98