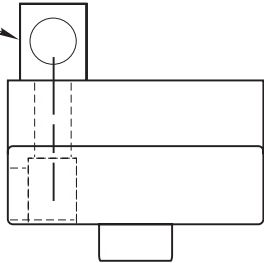


FRAME PREPARATION (RHRB APPLICATION SHOWN)

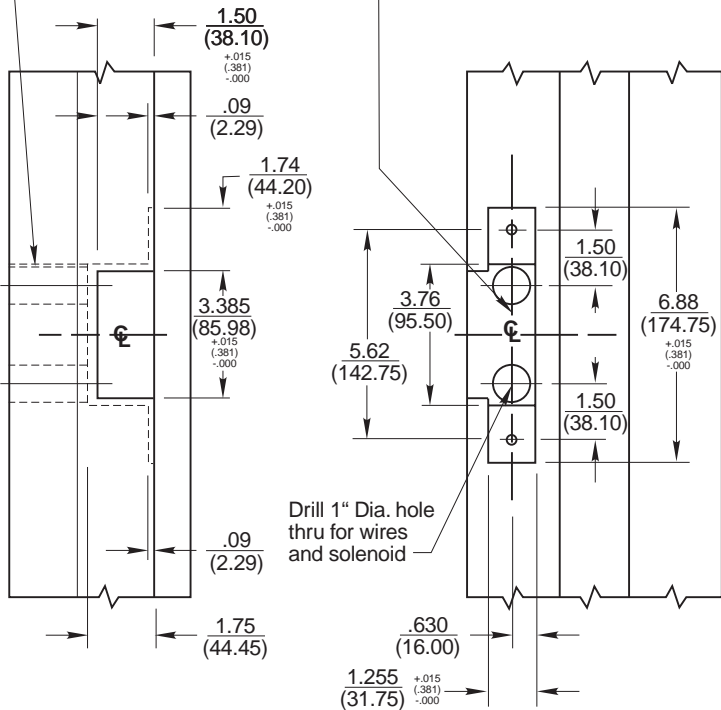
Drawing shows only one method of installation. Method of installation may vary per door and frame manufacturer.

Electrical box provided by others



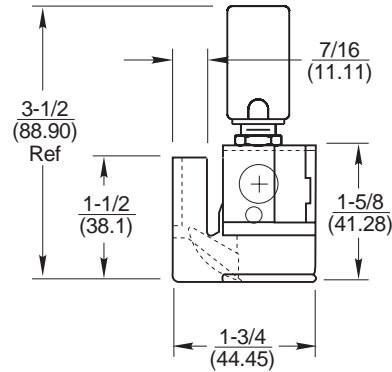
Additional mortise if rectifier is required

Center line of electric strike and latchbolt of lock must align

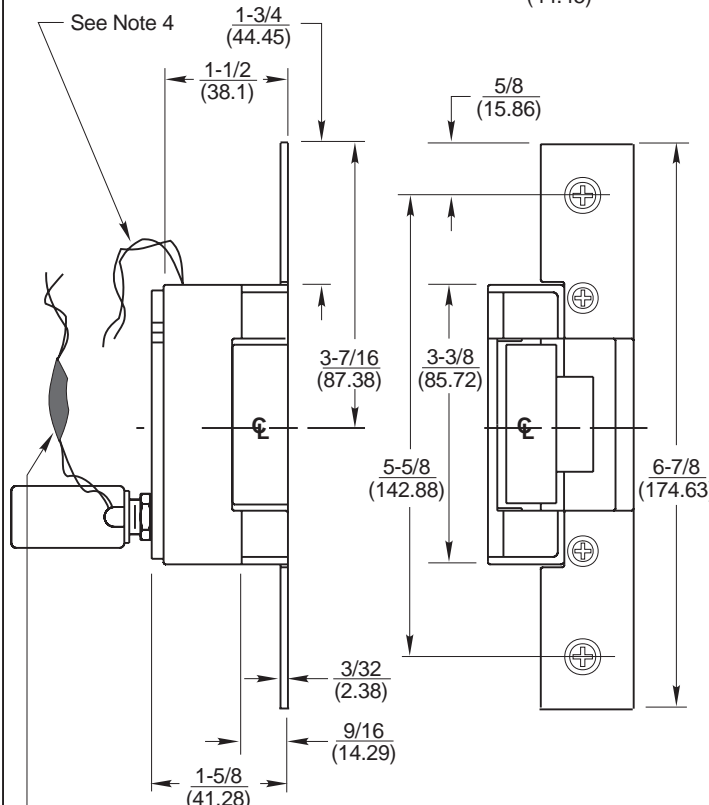


MODEL 508 ELECTRIC STRIKE

(Template)



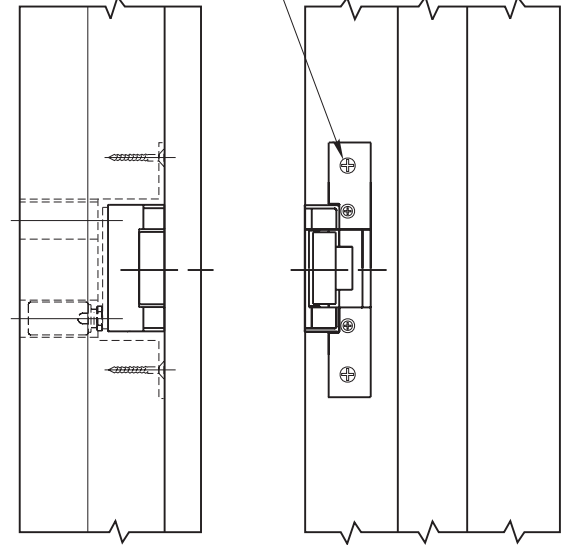
See Note 4



NOTES:

1. DO NOT SCALE - All dimensions in inches (mm).
2. Dimensions subject to change without notice.
3. Number of wires will vary per features of strike.
4. All wiring connections to be made opposite the solenoid end of strike. If a rectifier (optional) is used, it may be installed at either end of strike.
5. Wires to be run from side of strike to conduit connection.
6. Cut off all excess wire not required for installation.
7. Refer to catalog for available finishes, voltages, and optional features.
8. Door & frame manufacturers are responsible for providing adequate construction or reinforcements for proper installation of hardware.
9. Tolerances shown are for cutouts.
10. Remove all burrs and break sharp edges.

12 x 1-1/2 Flat Hd. Phil. Wood. Screws (2 included)



508 Electric Strike LH or RHRB Wood Application



REF. REPAIR PART DWG.

P.O. BOX 25288, CHARLOTTE, NC 28229-8010

TEMPLATE NUMBER

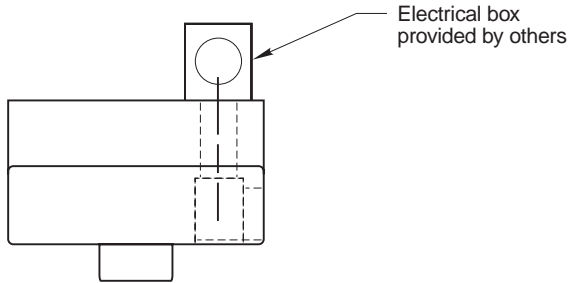
092-0251-006

DATE

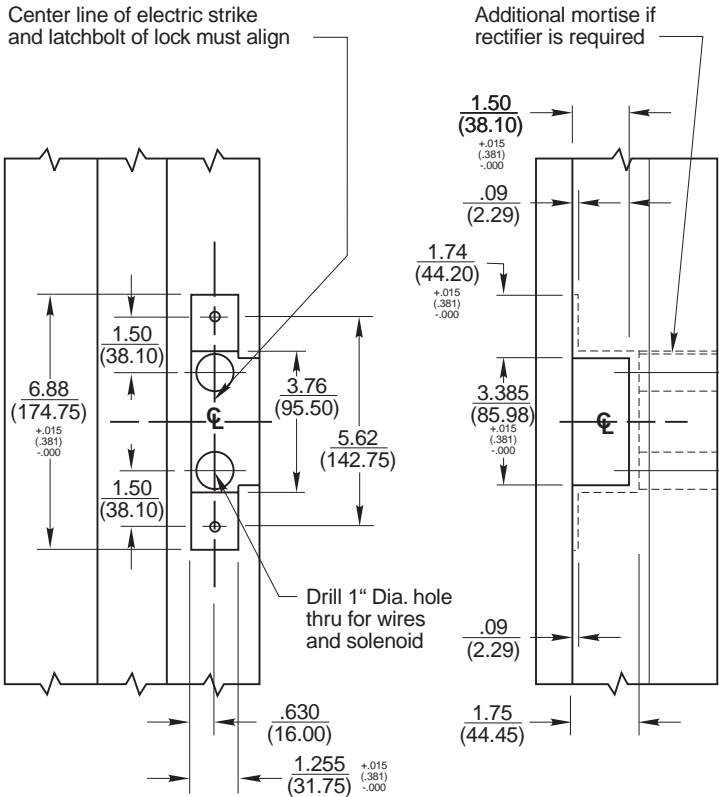
9-98

FRAME PREPARATION (LHRB APPLICATION SHOWN)

Drawing shows only one method of installation. Method of installation may vary per door and frame manufacturer.

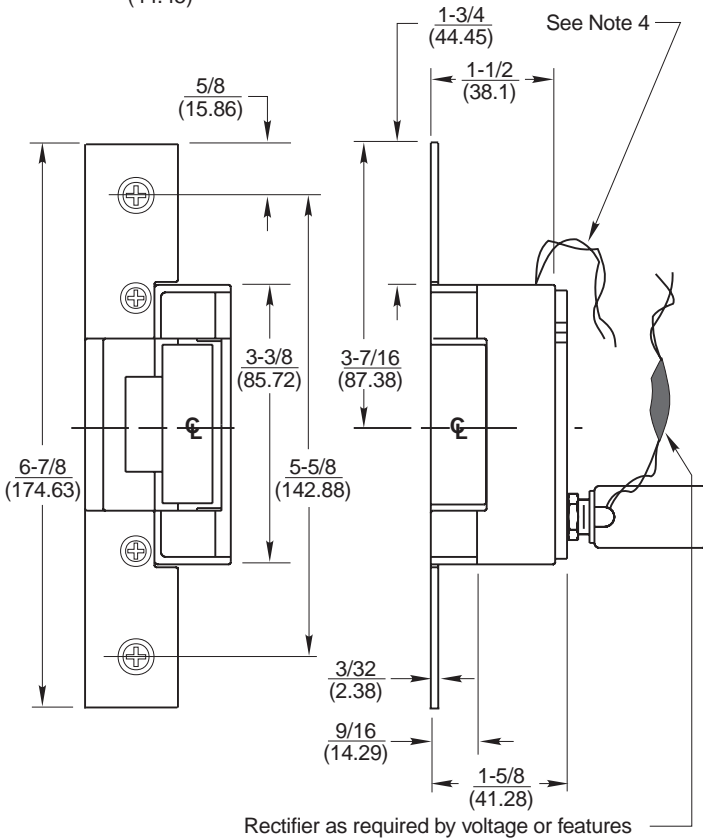
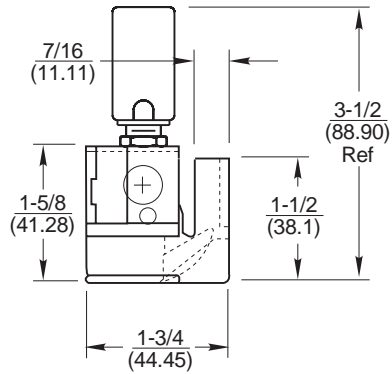


Center line of electric strike and latchbolt of lock must align



MODEL 508 ELECTRIC STRIKE

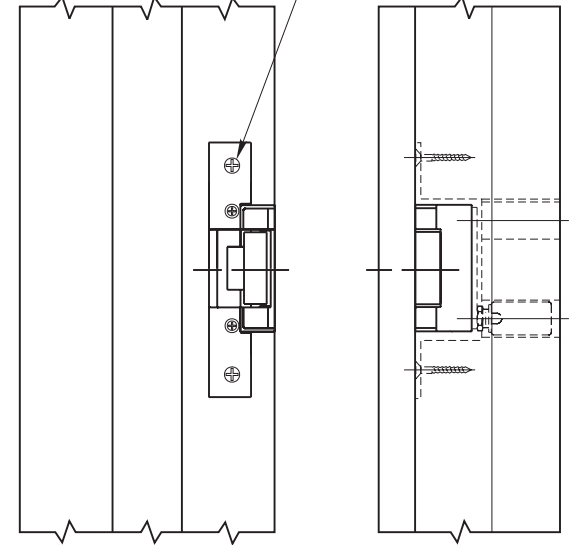
(Template)



NOTES:

1. DO NOT SCALE - All dimensions in inches (mm).
2. Dimensions subject to change without notice.
3. Number of wires will vary per features of strike.
4. All wiring connections to be made opposite the solenoid end of strike. If a rectifier (optional) is used, it may be installed at either end of strike.
5. Wires to be run from side of strike to conduit connection.
6. Cut off all excess wire not required for installation.
7. Refer to catalog for available finishes, voltages, and optional features.
8. Door & frame manufacturers are responsible for providing adequate construction or reinforcements for proper installation of hardware.
9. Tolerances shown are for cutouts.
10. Remove all burrs and break sharp edges.

12 x 1-1/2 Flat Hd. Phil. Wood. Screws (2 included)



508 Electric Strike RH or LHRB Wood Application



REF. REPAIR PART DWG.

P.O. BOX 25288, CHARLOTTE, NC 28229-8010

TEMPLATE NUMBER

092-0251-007

DATE

9-98