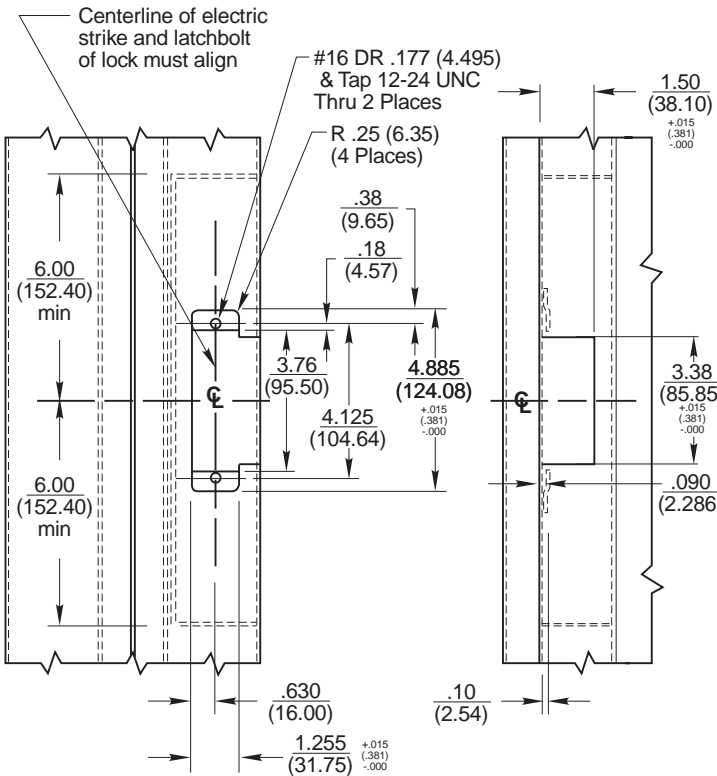
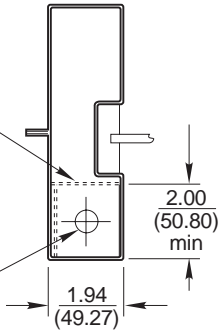


**FRAME PREPARATION (LHRB APPLICATION SHOWN)**

Drawing shows only one method of installation. Method of installation may vary per door and frame manufacturer.

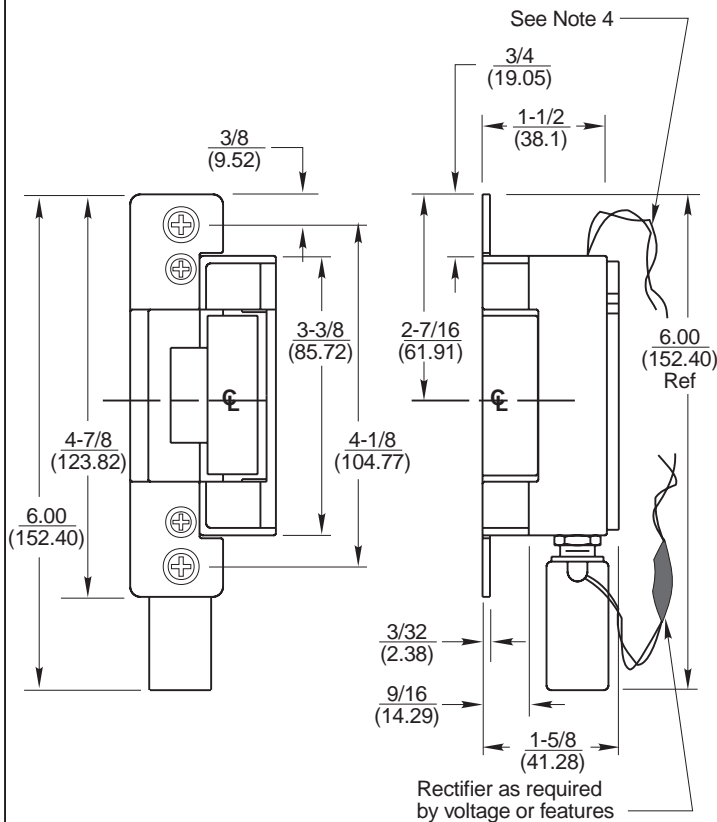
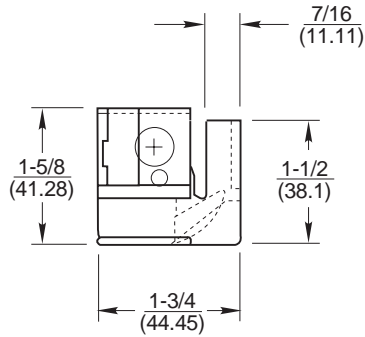
Back box provided by hollow metal manufacturer to keep dust and dirt out of strike pocket. Construct the box in a manner that will hold it's shape. Minimum material thickness 16 gauge.

Conduit holes to be added as required to hold wire connections



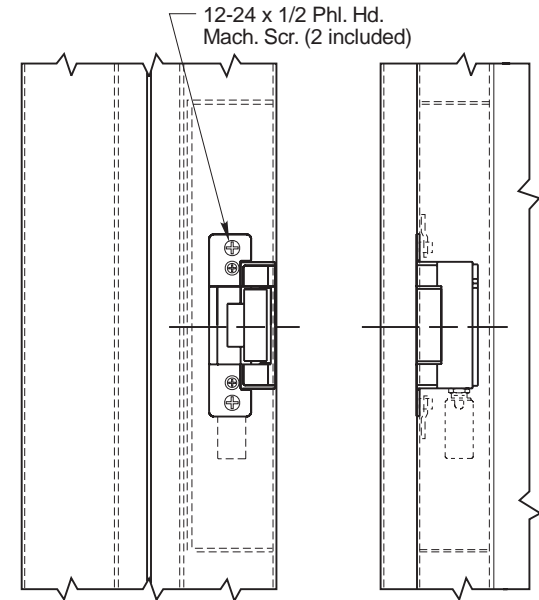
**MODEL 504 ELECTRIC STRIKE**

(Template)



**NOTES:**

1. DO NOT SCALE - All dimensions in inches (mm).
2. Dimensions subject to change without notice.
3. Number of wires will vary per features of strike.
4. All wiring connections to be made opposite the solenoid end of strike. If a rectifier (optional) is used, it may be installed at either end of strike.
5. Wires to be run from side and rear of strike to conduit connection.
6. Cut off all excess wire not required for installation.
7. Refer to catalog for available finishes, voltages, and optional features.
8. Door & frame manufacturers are responsible for providing adequate construction or reinforcements for proper installation of hardware.
9. Tolerances shown are for cutouts.
10. Remove all burrs and break sharp edges.



**504 Electric Strike For Aluminum**



REF. REPAIR PART DWG.

P.O. BOX 25288, CHARLOTTE, NC 28229-8010

TEMPLATE NUMBER

**092-0251-003**

DATE

**9-98**