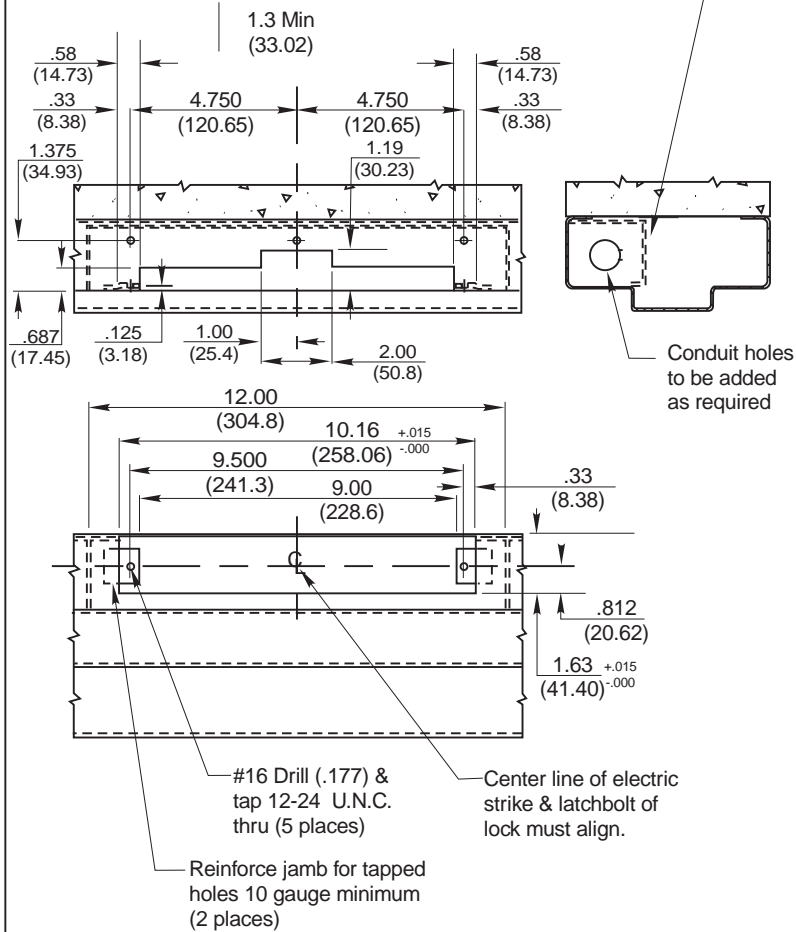


Frame Preparation (Header Application)

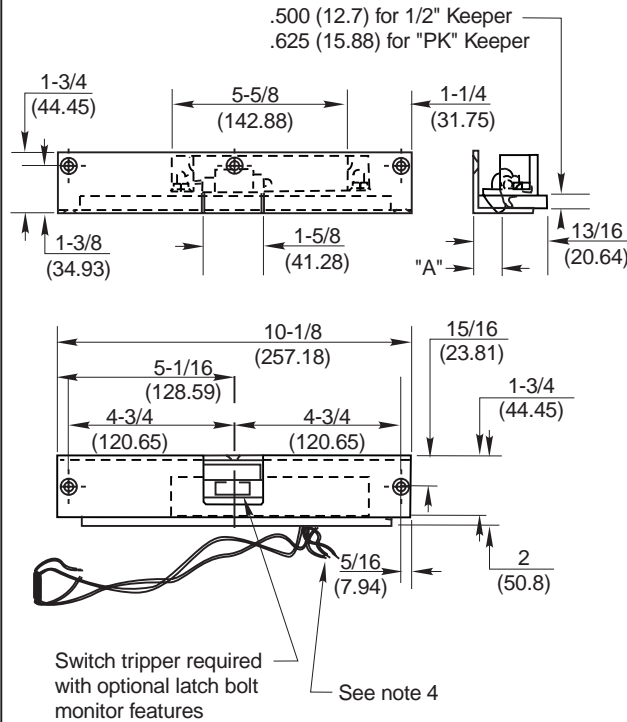
Drawing shows only one method of installation. Method of installation may vary per door & frame manufacturer.

Back box provided by hollow metal manufacturer to keep dust and dirt out of strike pocket. Construct box in a manner that it will hold its shape. Minimum material thickness, 16 gauge. Min. height, 1-15/16, Min. depth, 2-1/2 (49.21 x 63.5)



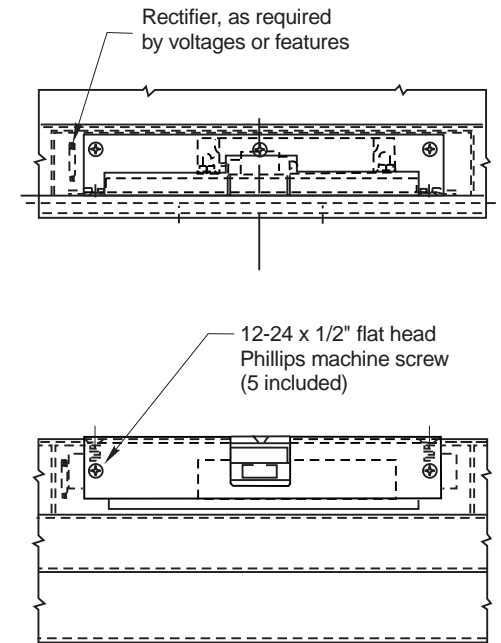
Model 310--6-8 Electric Strike Template

Dimension "A" (keeper position) is adjustable from .812" to 1.00" (20.62-25.4). To adjust, loosen the 12--24 hex hd strike mounting bolt , reposition strike and re-tighten bolt & nut.



NOTES:

1. DO NOT SCALE - All dimensions in inches (mm).
2. Dimensions subject to change without notice.
3. Number of wires will vary per features of strike.
4. All wiring connections to be made at this end of strike. If a rectifier (optional) is used, it may be installed at either end of strike.
5. Cut off all excess wire not req'd for installation.
6. Wires to be run from side & rear of strike to conduit connection.
7. Refer to catalog for standard & optional features.
8. Door & frame manufacturers are responsible for providing adequate construction or reinforcements for proper installation of hardware.
9. Tolerances shown are for cutouts.



**310-6-8 Electric Strike
1/2" & PK Keeper**



REF. REPAIR PART DWG.

245-4000-001

P.O. BOX 25288, CHARLOTTE, NC 28229-8010

TEMPLATE NUMBER

092-0245-030

DATE

9-98