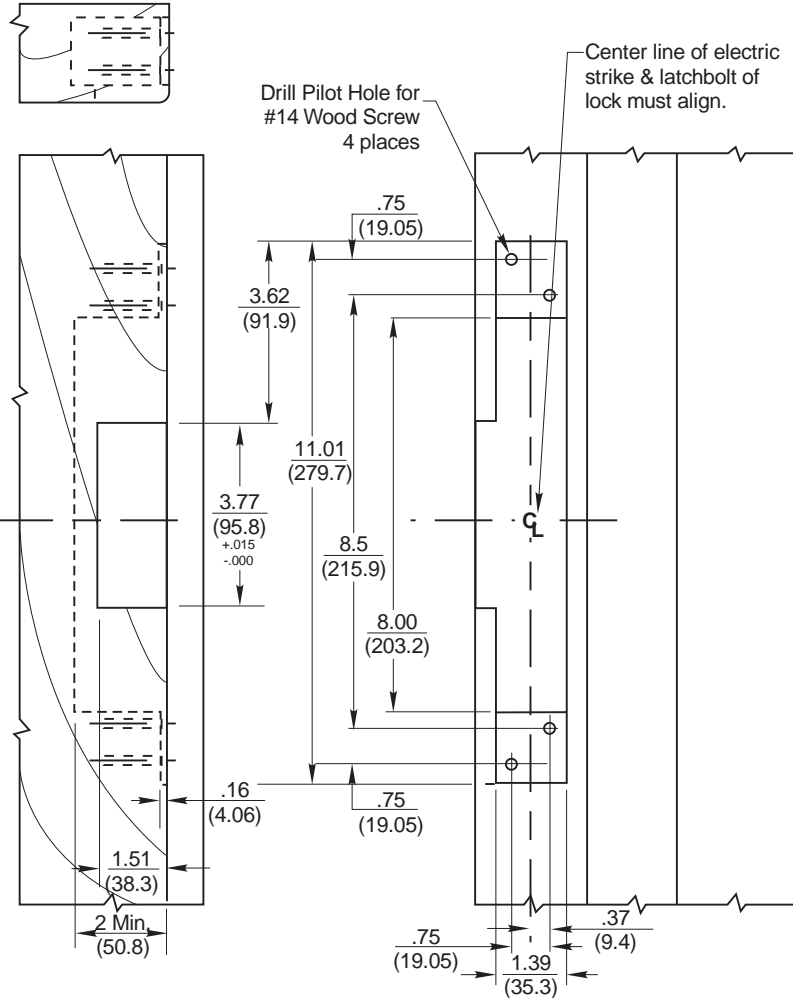


Frame Preparation (RHRB Application Shown)

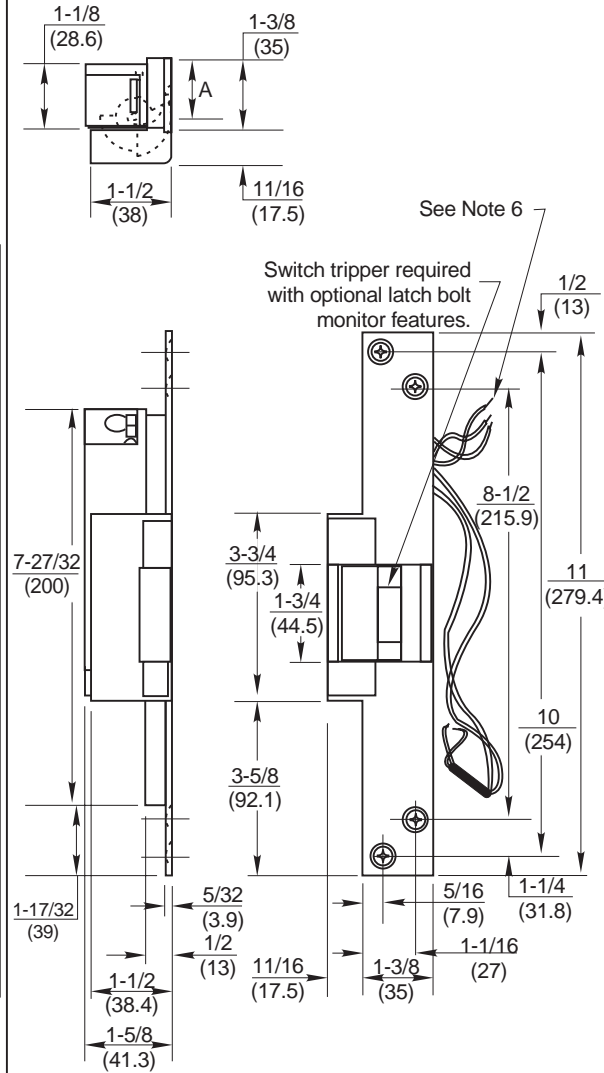
Drawing shows only one method of installation. Method of installation may vary per door & frame manufacturer.

Routing of wires for strike to be determined by door manufacturer.



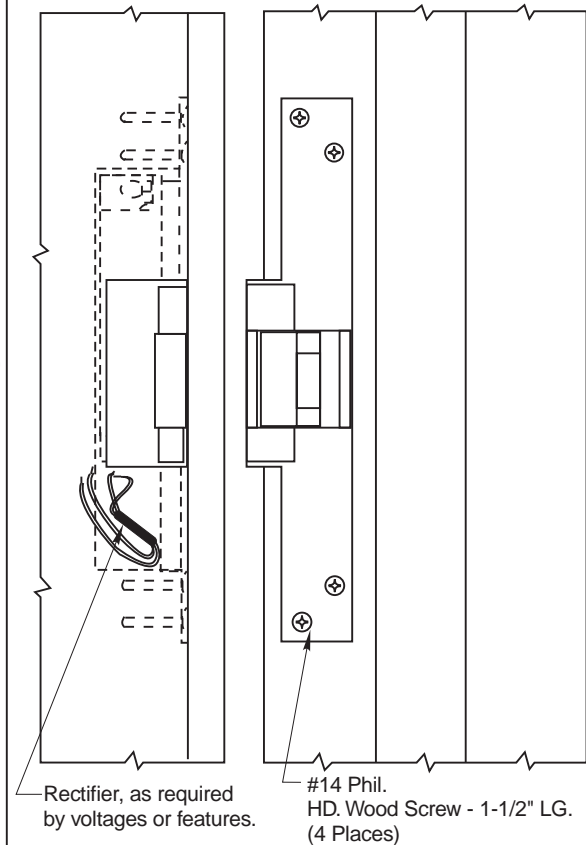
Model 310-2W Electric Strike

Dimension "A" (Keeper Position) is adjustable from .875 to 1.062. To adjust, loosen the two 12-24 Hex HD strike mounting bolts, reposition strike, and retighten bolts.



NOTES:

1. DO NOT SCALE - All dimensions in inches (mm).
2. Dimensions subject to change without notice.
3. Number of wires will vary per features of strike.
4. Cut off all excess wire not req'd for installation.
5. Wires to be run from side & rear of strike to conduit connection.
6. All wiring connections to be made at this end of strike. If a rectifier (optional) is used, it may be installed at either end of strike.
7. Refer to catalog for available finishes, voltages, & optional features.
8. Door & frame manufacturers are responsible for providing adequate construction or reinforcements for proper installation of hardware.
9. Tolerances shown are for cutouts.
10. Requires a Door Coordinator.



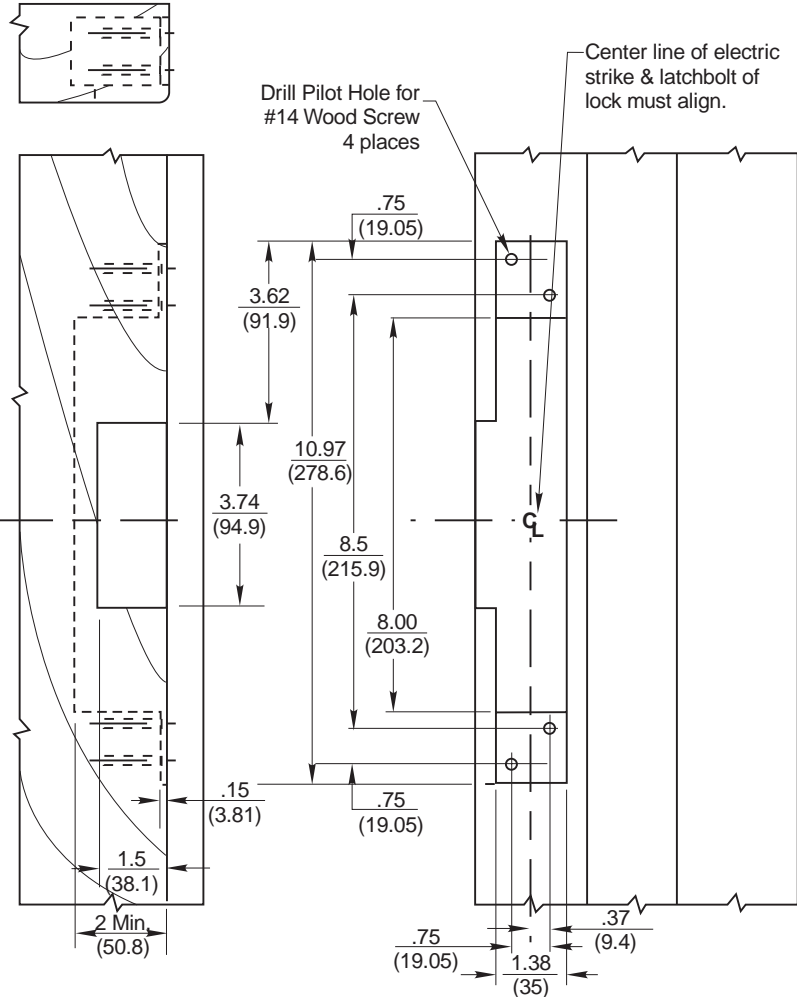
310-2W Electric Strike
Brass - Inactive Leaf of A Pair of Doors

 FOLGER ADAM	REF. REPAIR PART DWG.	
	P.O. BOX 25288, CHARLOTTE, NC 28229-8010	
TEMPLATE NUMBER	092-0245-041	DATE
		9-98

Frame Preparation (RHRB Application Shown)

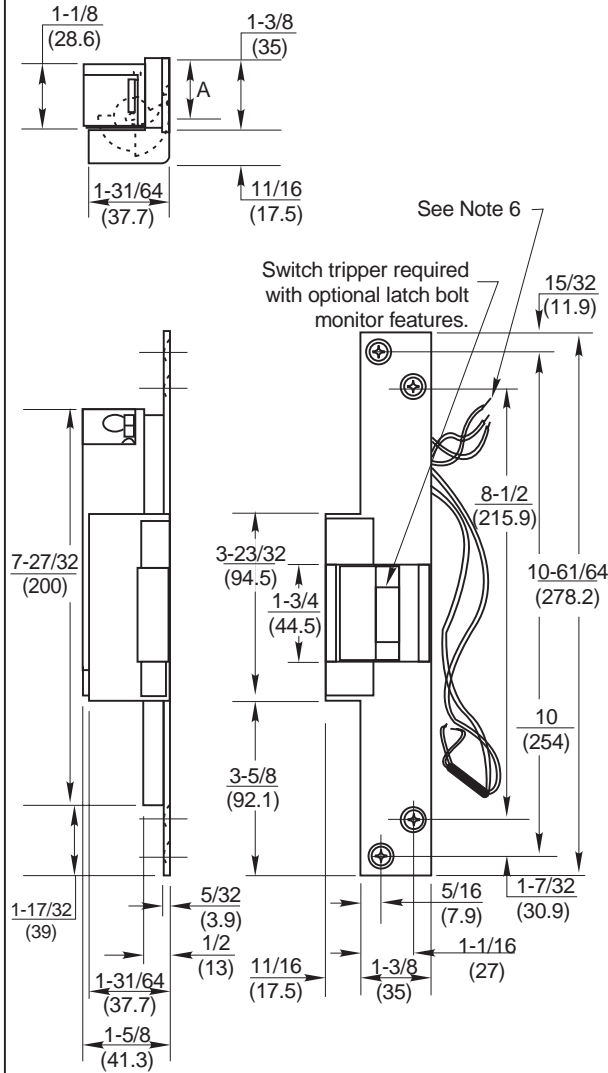
Drawing shows only one method of installation. Method of installation may vary per door & frame manufacturer.

Routing of wires for strike to be determined by door manufacturer.



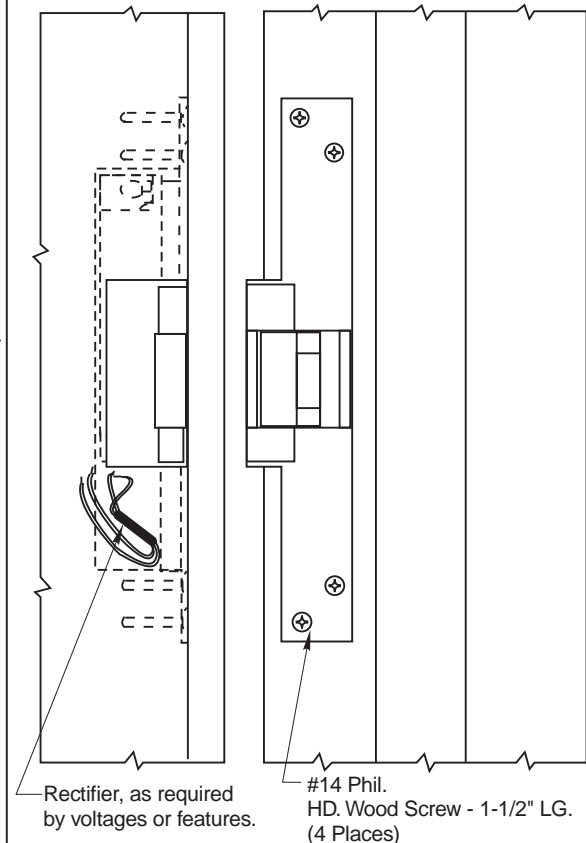
Model 310-2W Electric Strike

Dimension "A" (Keeper Position) is adjustable from .875 to 1.062. To adjust, loosen the two 12-24 Hex HD strike mounting bolts, reposition strike, and retighten bolts.



NOTES:

1. DO NOT SCALE - All dimensions in inches (mm).
2. Dimensions subject to change without notice.
3. Number of wires will vary per features of strike.
4. Cut off all excess wire not req'd for installation.
5. Wires to be run from side & rear of strike to conduit connection.
6. All wiring connections to be made at this end of strike. If a rectifier (optional) is used, it may be installed at either end of strike.
7. Refer to catalog for available finishes, voltages, & optional features.
8. Door & frame manufacturers are responsible for providing adequate construction or reinforcements for proper installation of hardware.
9. Tolerances shown are for cutouts.
10. Requires a Door Coordinator.



310-2W Electric Strike
Stainless Steel - Inactive Leaf of a Pair of Doors

	REF. REPAIR PART DWG.	
	P.O. BOX 25288, CHARLOTTE, NC 28229-8010	
TEMPLATE NUMBER	092-0245-042	DATE
		9-98