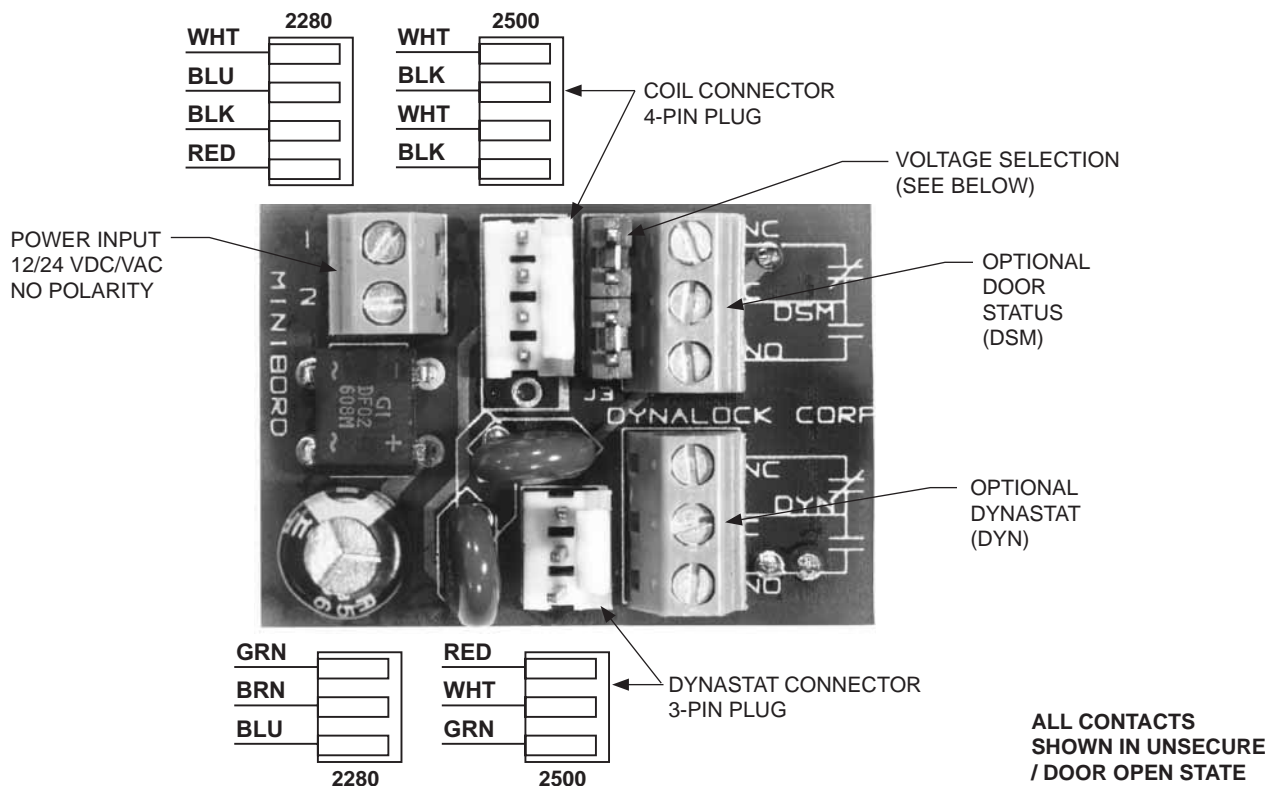


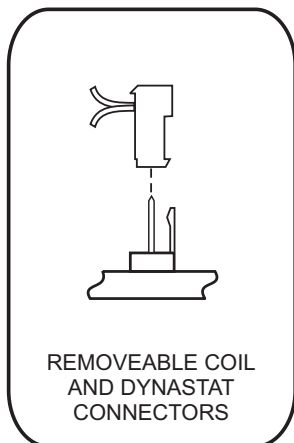
OVERVIEW

Familiarize yourself with the illustrations and instructions on this data sheet before attempting to wire this unit. The circuit board illustrations show a lock with every possible option - your lock may not have certain options.

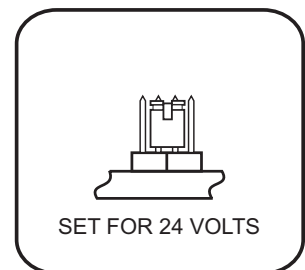
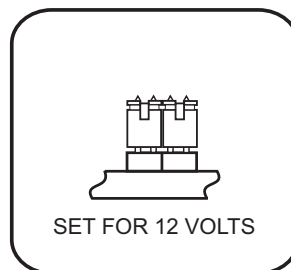
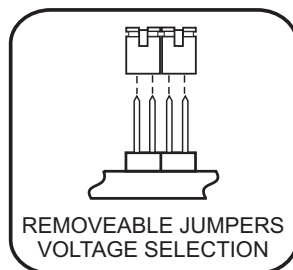
CIRCUIT BOARD DESCRIPTION & COMPONENT LOCATION



COIL CONNECTION AND VOLTAGE SELECTION



- THE COIL AND DYNASTAT CONNECTORS ARE POLARIZED. MAKE SURE ALL PINS ARE CONNECTED.
- ADJUST THE JUMPERS AS SHOWN BELOW TO MATCH THE INPUT VOLTAGE TO THE LOCK.



WIRING INSTRUCTIONS

POWER INPUT

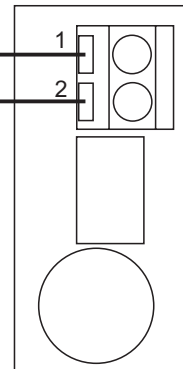
12/24 VDC/VAC

CURRENT DRAW:

2280 0.68A @ 12VDC / 0.35A @ 24VDC
2500 0.50A @ 12VDC / 0.25A @ 24VDC
(SHOWN PER COIL)

12 / 24
VDC / VAC
INPUT

NORMALLY CLOSED STATION
CONTROL(S), I.E. PUSHBUTTON,
KEYSWITCH, ETC.
WIRE MULTIPLE CONTROLS IN
SERIES AS SHOWN.

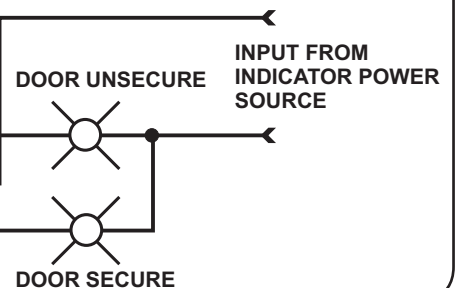
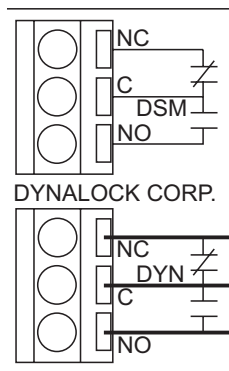


DYNASTAT (DYN) OPTION

LOCK STATUS/BOND SENSOR

DRY CONTACT RATING:
0.25A @ 24VDC

NOTE:
INDICATORS NOT INCLUDED

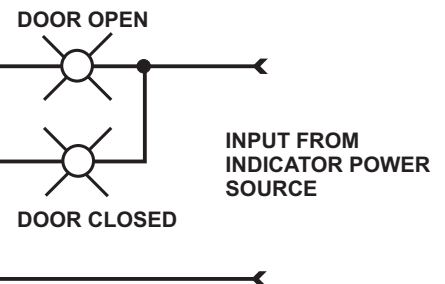
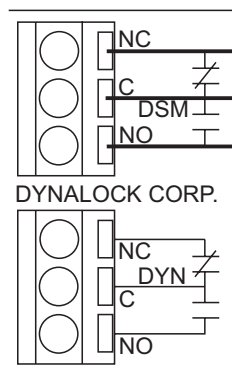


DOOR STATUS (DSM) OPTION

DOOR POSITION SWITCH

DRY CONTACT RATING:
0.25A @ 24VDC

NOTE:
INDICATORS NOT INCLUDED



ANTI-TAMPER (ATS) OPTION - 2500 ONLY

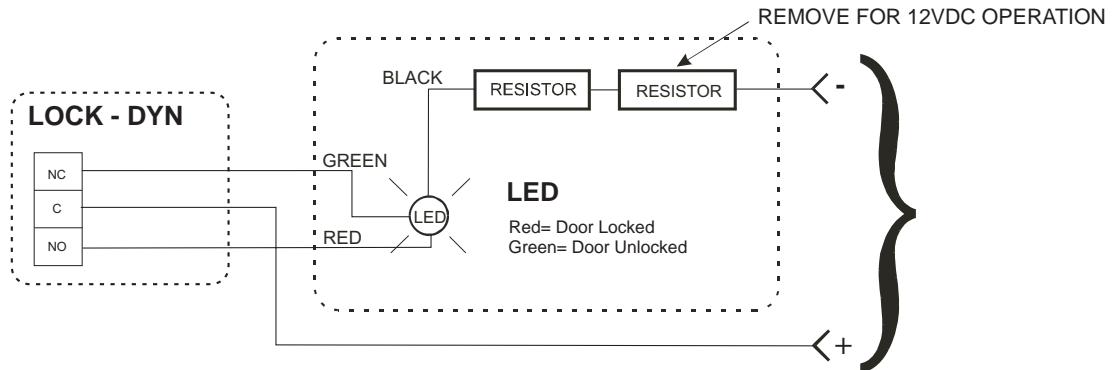
DRY CONTACT RATING: 0.25A @ 24VDC

ANTI-TAMPER OPTION INDICATES REMOVAL OF
ACCESS COVER. THIS OPTIONAL SWITCH WOULD
BE LOCATED INSIDE THE LOCK HOUSING. SHOWN
WITH COVER ON.

WHITE = COMMON
RED = NORMALLY OPEN
GREEN = NORMALLY CLOSED

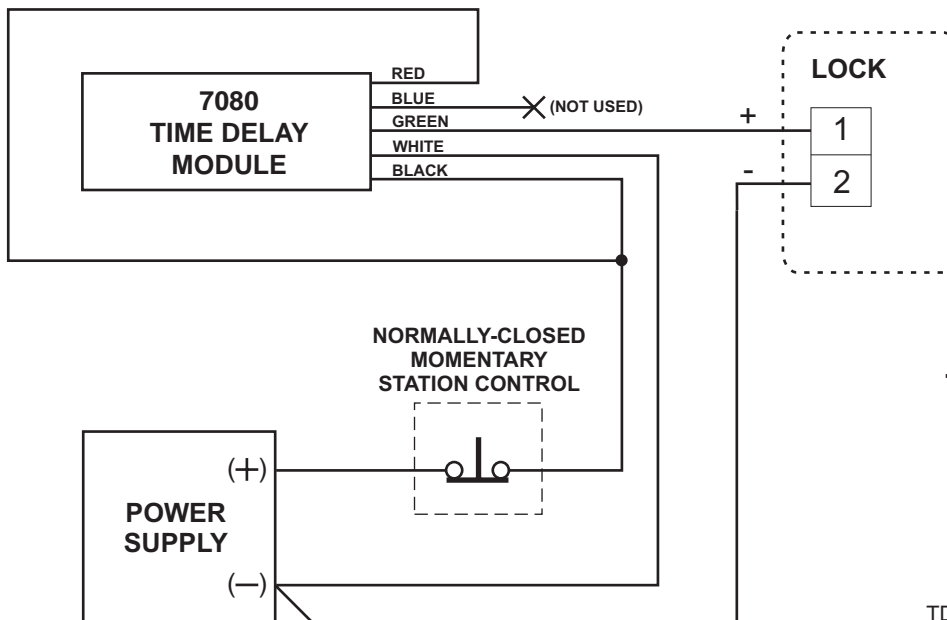
LED OPTION

The Bi-Color LED is used in conjunction with the Dynastat (DYN) option to display lock status in two colors - red or green and is pre-configured to operate on 24VDC. For 12VDC operation remove the outer resistor from the black wire. Connect the LED to the DYN as shown below.



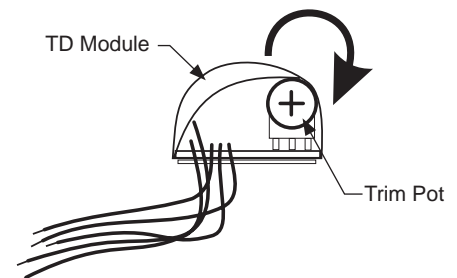
TIME DELAY (TD) MODULE WIRING

Optional Model 7080 inline time delay module provides adjustable time delayed relocking. This is a field installed device and wired per the following wiring diagram.



Time Delay Adjustment

Rotate trim pot clockwise to increase time delay.
Range = 0-60 sec.





705 Emmett Street • Bristol, CT 06010
1-877-DynaLock • www.dynalock.com

**SERIES 2500 & 2280
ELECTROMAGNETIC LOCK
WIRING INSTRUCTIONS**

GENERAL SPECIFICATIONS

OPERATING VOLTAGES:	12 or 24 VDC/VAC Field Selectable
CURRENT DRAW:	2280 0.68A @ 12VDC / 0.35A @ 24VDC 2500 0.50A @ 12VDC / 0.25A @ 24VDC (SHOWN PER COIL)
SURGE SUPPRESSION:	Built-in
COIL RESISTANCE:	2280 34.1 Ohms (+-10%) Black-White / Red-Blue 2500 53.8 Ohms (+-10%) Black-Black / White-White

**PLEASE DELIVER THIS MANUAL
TO THE END-USER UPON COMPLETION
OF THE INSTALLATION**

**FOR PRODUCT SUPPORT AND PARTS
ORDERING INFORMATION CONTACT:**

DynaLock Corp.
705 Emmett Street
Bristol, CT 06010
Bus: (877) DYNALOCK, Toll-Free USA
(860) 582-4761
Fax: (860) 585-0338

DYNALOCK ON THE INTERNET:

E-mail: info@dynalock.com
Website: www.dynalock.com