

NEW

DynaLock™
For Life™

2280 Series

1200 Lb. Holding Force SlimLine MagLock

- An "Upscale" Low Profile Lock
- One-Piece Housing
- Quiet, Carefree Operation
- Enhanced Time Saving Installation
- Lifetime Warranty



Description

The new DynaLock 2280 Series joins our popular 2268 Series as an upscale, low profile 1,200 lb. holding force maglock. The 2280 features a reduced length, low profile seamless housing, milled from a solid aluminum billet. The one-piece housing offers superior resistance to moisture intrusion. An adjustable mounting plate offers staggered mounting screw holes to enhance mounted stability. Ease of wiring and selection of options is facilitated by a replaceable built-in circuit board.

Incorporated in the overall design is a new high-impact plastic armature housing. The housing includes concealed rare-earth disc magnets at each end, when the optional door status feature is ordered. This *eliminates misorientation* of the housing, when mounted. The housing fully captures the armature, *eliminating the need for anti-spin pins*. In addition, the housings incorporate foam pads to help *dampen the sound* of the armature engaging the lock face.

Typical applications for the 2280 include commercial, industrial and institutional openings where maximum security and durability is required. With a low 2-1/16"

profile, the 2280 is *ideal for opening heights of 7'-0" or less*, to facilitate code compliance on designated egress doors.

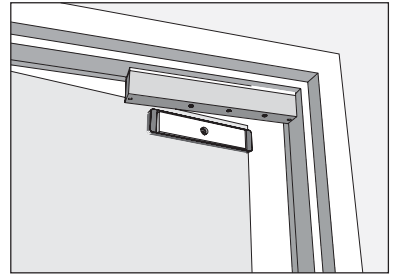
- **Field Selectable Voltage** - 12 or 24 VDC/VAC
- **Seamless, One Piece Housing** - Provides superior moisture and tamper resistance.
- **Adjustable Baseplate** reduces installation time and insures proper alignment.
- **Armature Housing** - Dampens noise and facilitates installation.
- **Low Profile** - Provides maximum headroom clearance.
- **Enhanced Top Jamb Mount** - Aesthetically pleasing full length armature bracket, with locking ribs to prevent slippage, and a lock mounting bracket with concealed wire chase.
- **Built-In Spike Suppression** protects other solid state components within the system from electrical damage.
- **Choice of Options** - Door status, lock status, LED, and eight architectural finishes are available.

LIFE SAFETY PRODUCTS
FULLY INTEGRATED SECURITY SYSTEMS
Electromagnetic Locks | Controls | Power Supplies

2280 Series Electromagnetic Lock

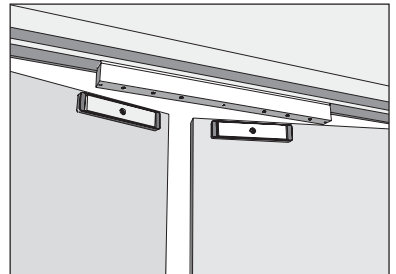
2280 Single Outswinging Door

Single coil. Mounts to the underside of the frame header.
1200 Lbs. Holding Force.



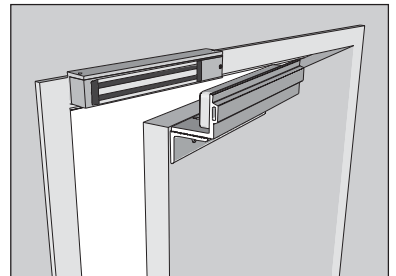
2282 Double Outswinging Door

Double coil. Mounts to the underside of the frame header.
1200 Lbs. Holding Force per leaf.



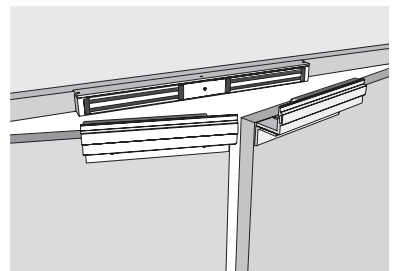
2280-TJ80 Single Inswinging Door

Single coil. Mounts to the face of the frame header.
1200 Lbs. Holding Force.



2282-TJ82 Double Inswinging Door

Double coil. Mounts to the face of the frame header.
1200 Lbs. Holding Force per leaf.



2280 Series Electromagnetic Lock

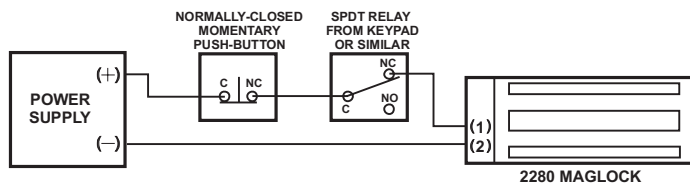
Options

- DSM** DOOR STATUS SWITCH - Signals door closed or ajar. SPDT contacts.
- DSM2** DOOR STATUS SWITCH - For the 2282 models.
- DYN** DYNASTAT FORCE SENSOR - Indicates efficient magnetic bond. SPDT contacts.
- DYN2** DYNASTAT FORCE SENSOR - For the 2282 models.
- LED** BI-COLOR LED - For local signaling of lock status. Flying leads. (order with DYN)
- LED2** BI-COLOR LED'S(2) - For the 2282 models. (order with DYN2)
- SF** SPECIAL FINISH - Standard finish is US28 Satin Aluminum. Special anodized finishes, see price book.

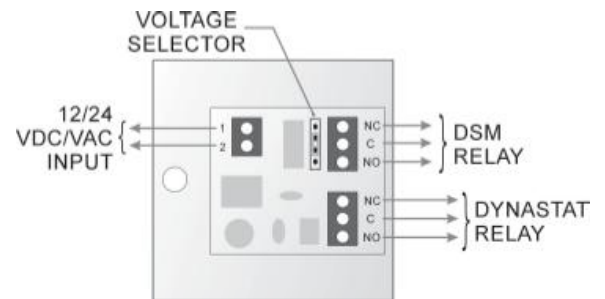
Note: For adjustable time delayed relocking, specify Model 7080 in-line time delay module (sold separately).

Basic System Wiring

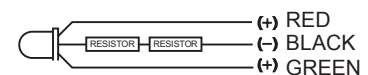
The figure below is an example of a simple circuit, showing a single door normally locked. DynaLock offers keypad control, exit bars, timers, and much more to suit your needs.



CIRCUIT BOARD (Shown with all options)



BI-COLOR LED



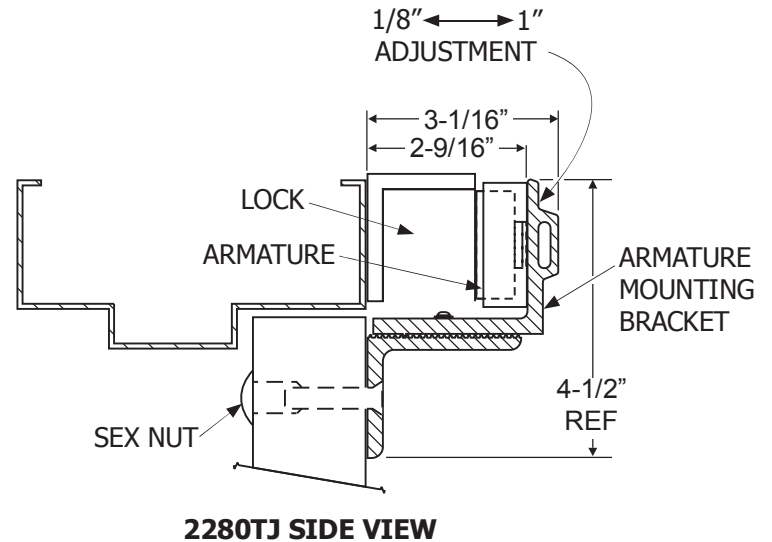
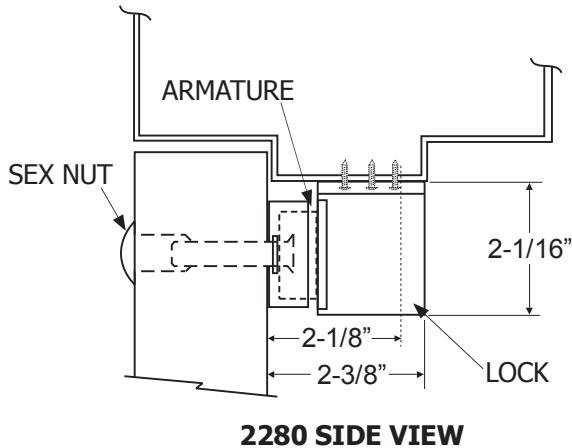
LED NOTE: Factory set for 24VDC.
Remove outer resistor for 12VDC operation.

Accessories

- **4000 Series Installation Accessories**
Spacer Plates: Lower the lock assembly
Filler Plates: Extend the door stop
Angle Brackets: Extend the header
- **5000 Series Power Supplies**
Solid state power supplies provide proper voltage, time delay and battery backup if required.
- **6000 Series Exit Controls**
Pushbuttons in a variety of switching configurations and exit sensor bars.
- **7000 Series Keyswitches and Keypads**
Keyswitches accept most mortise cylinders for controlled access.
Rugged digital entry keypads.
- **8000 Series Consoles**
Desk Top, Slope Front and Rack Mount fabricated to customer specifications.

2280 Series Electromagnetic Lock

Mounting



Specifications

MECHANICAL

Holding Force: 1200 Lbs. Each Coil

Lock Size:

2280 $1\frac{1}{2}$ "D x $2\frac{1}{16}$ "H x $12\frac{3}{4}$ "L

2282 $1\frac{1}{2}$ "D x $2\frac{1}{16}$ "H x $25\frac{1}{2}$ "L

Armature Size: $\frac{5}{8}$ "D x $1\frac{3}{4}$ "H x $8\frac{5}{8}$ "L

Lock Weight: 2280 10Lbs. / 2282 20Lbs.

Finish: US28 Satin Aluminum Standard
Other Finishes Available

ELECTRICAL

Input Voltage: 12 or 24 VDC/VAC (Field Selectable)

Current Draw: 0.68A @ 12V Each Coil

0.35A @ 24V Each Coil

Contact Ratings: DSM - 0.25A @ 24VAC/DC

DYN - 0.25A @ 24VAC/DC

DYNALOCK CORPORATION
705 EMMETT STREET / PO BOX 2728
BRISTOL, CT 06011-2728
PHONE: 877-DYNALOCK / FAX: 860-585-0338
E-MAIL: INFO@DYNALOCK.COM
WEBSITE: WWW.DYNALOCK.COM

Featuring

DynaLife[®]
Lifetime Warranty