

# 2000 Series

## 1200 Lbs. Holding Force Electromagnetic Locks

- **Economy Priced, Full Size Locks**
- **12/24 VDC/VAC**
- **Medium to High Security**
- **Adjustable Mounting Base**
- **Lifetime Warranty**



### Description

The 2000 Series is a full size 1200 lbs. holding force electromagnet. It is designed for life safety and high security on rated or nonrated doors and frames. Specify for commercial, industrial, or institutional openings when low cost and high security are required.

All 2000 Series locks are designed for ease of installation with adjustable mounting, field selectable voltage, and convenient wiring compartments. Optional integrated door and lock status sensors allow remote monitoring without the need to install separate "door contacts".

The 2000 Series is offered in single, double, and split armature models for both outswinging and inswinging doors. The coil and housing assembly mounts rigidly to the door frame while the armature mounts to the door in a manner that allows it to pivot slightly to compensate for door irregularities. When the door is closed and the lock is energized the armature is magnetically bonded to the lock face, thus securing the door without utilizing any moving parts.

### Standard Features

- **Internal wiring compartment** includes built-in circuit board attached to access cover to provide a convenient, plug in, concealed area for wiring connections.
- **Low power consumption** conserves energy, reduces operation cost, and extends battery backup time.
- **A totally plated coil** and armature provides protection against corrosion.
- **A narrow backset** of 1-1/2" may mean the elimination of other mounting brackets or filler plates.
- **No residual magnetism** - the door releases without delay when lock is de-energized.
- **Multiple sensor and monitor options** increases flexibility, security and compatibility with system equipment.
- **Built-in spike suppression** protects other solid state components within the system from damage when the lock is de-energized.
- **Lifetime Warranty** - American Made in the USA by DynaLock, with over 20 years experience in the manufacture of electromagnetic locks.

---

### **2011** Single Outswinging Door

Single coil. Mounts to the underside of the frame header.  
1200 Lbs. Holding Force.



---

### **2012** Double Outswinging Door

Single coil with double (split) armature. Mounts to the underside of the frame header. Recommended for traffic control only. 600 Lbs. holding force per leaf.



---

### **2022** Double Outswinging Door

Double coil. Mounts to the underside of the frame header.  
1200 Lbs. holding force per leaf.



---

### **2011-TJ20** Single Inswinging Door

Single coil. Mounts to the face of the frame header.  
1200 Lbs. holding force.



---

### **2012-TJ21** Double Inswinging Door

Single coil with double (split) armature. Mounts to the face of the frame header. Recommended for traffic control only. 600 Lbs. holding force per leaf.



---

### **2022-TJ22** Double Inswinging Door

Double coil. Mounts to the face of the frame header.  
1200 Lbs. holding force per leaf.



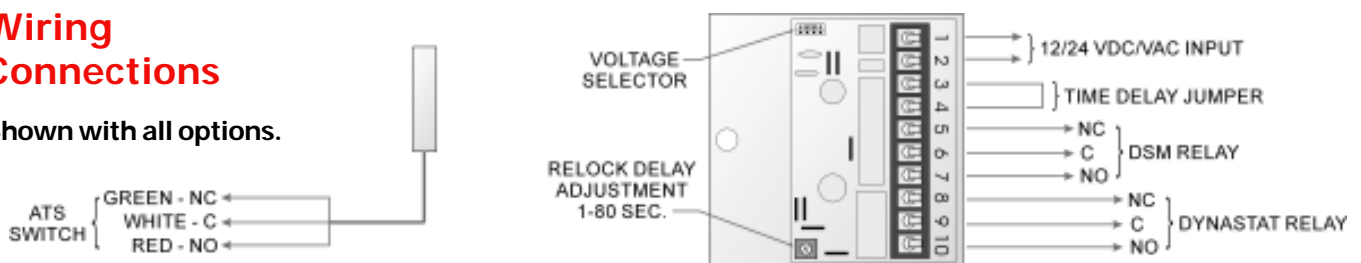
## Options

- CLH** CUSTOM LENGTH HOUSING - See back page.
- DSM** DOOR STATUS SWITCH - Signals door closed or ajar. SPDT contacts.
- DSM2** DOOR STATUS SWITCH - For the 2022 models.
- HSM** HIGH SECURITY MONITOR - Includes the following:  
 DOOR STATUS SWITCH - Signals door closed or ajar. SPDT contacts.  
 DYNASTAT FORCE SENSOR - Indicates efficient magnetic bond. SPDT contacts.
- HSM2** HIGH SECURITY MONITOR - For the 2022 models.
- VOP** VALUE OPTION PACKAGE - Includes the following:  
 DOOR STATUS SWITCH - Signals door closed or ajar. SPDT contacts.  
 DYNASTAT FORCE SENSOR - Indicates efficient magnetic bond. SPDT contacts.  
 ANTI-TAMPER SWITCH - Signals removal of the housing cover. SPDT contacts.  
 RELOCK TIME DELAY - Adjustable 1-80 seconds.
- VOP2** VALUE OPTION PACKAGE - For the 2022 models.
- LCB** BASIC LOCK LESS CIRCUIT BOARD - Coil and housing with flying leads.
- LED** BI-COLOR LED - For local signaling of lock status. (Requires HSM or VOP option)
- LED2** BI-COLOR LED'S(2) - For the 2022 models. (Requires HSM2 or VOP2 option)
- LP** LOW POWER COIL - 12V only @ 0.16 Amps (Single Lock)
- LP2** LOW POWER COILS - 12V only @ 0.32 Amps (Double Lock)
- OFA** OFFSET ARMATURE - For aluminum storefront doors. Mounting hole is higher to avoid top rail drilling problems.
- SF** SPECIAL FINISH - Standard finish is US28 Satin Aluminum. Special anodized finishes, see price book.

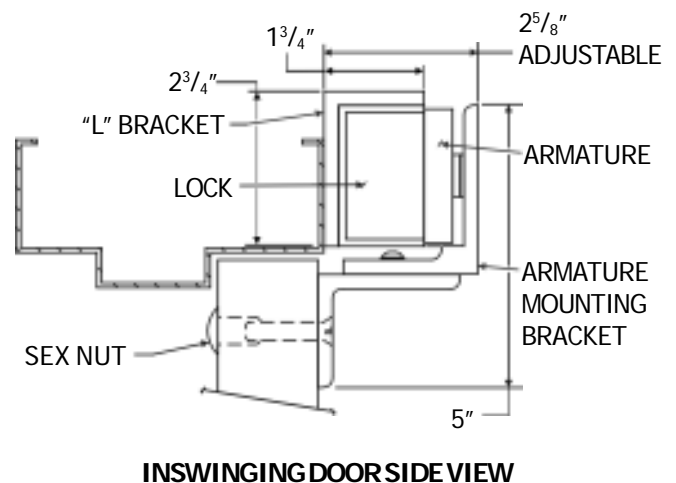
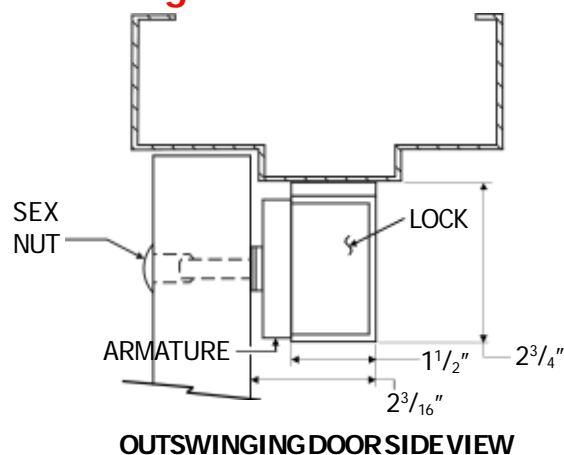
Notes: DSM, HSM, VOP and LED options not available on 2012 split armature models or with LCB option.

## Wiring Connections

Shown with all options.



## Mounting



# 2000 Series Electromagnetic Lock

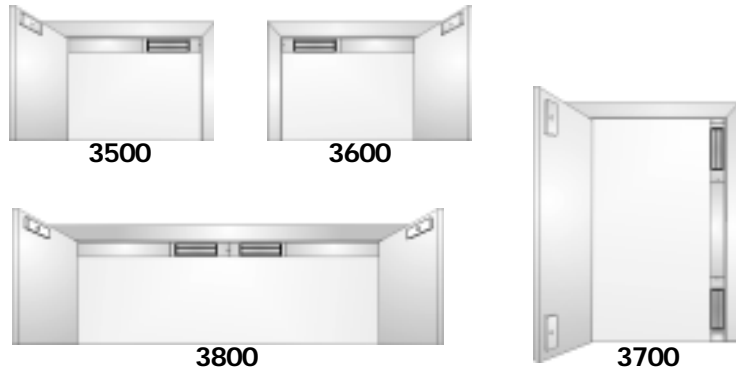
## Accessories

- **4000 Series** Installation Accessories  
Filler Plates: Extend the door stop  
Angle Brackets: Extend the header
- **5000 Series** Power Supplies  
Solid state power supplies provide proper voltage, time delay and battery backup if required.
- **6000 Series** Exit Controls  
Push-buttons in a variety of switching configurations and exit sensor bars.
- **7000 Series** Keyswitches and Keypads  
Keyswitches accept most mortise cylinders for controlled access.  
Rugged digital entry keypads.
- **8000 Series** Consoles  
Desk top, slope front and rack mount fabricated to customer specifications.

## Custom Length Housings

Optional custom length housings are ordered in addition to the lock itself. They are used to provide an unbroken sight line across the header or vertical jamb, for a less conspicuous installation.

- 3500** Single door. One horizontal lock LHR 30" to 48".
- 3600** Single door. One horizontal lock RHR 30" to 48".
- 3700** Single door. Two vertical locks up to 96".
- 3800** Double door. Two horizontal locks up to 96".



## Specifications

### MECHANICAL

Holding Force:	1200 Lbs. Each Coil
Lock Size:	
2011, 2012	1½"D x 2¾"H x 11"L
2022	1½"D x 2¾"H x 22"L
2011TJ20, 2012TJ21	1¾"D x 2¾"H x 11"L
2022TJ22	1¾"D x 2¾"H x 22"L
Armature Size:	
2012, 2012TJ21	1½"D x 2¾"H x 3⅝"L
Lock Weight:	2011, 2012 9Lbs. / 2022 18Lbs. 2011TJ20, 2012TJ21 11Lbs. 2022TJ22 22Lbs.

Finish: US28 Satin Aluminum with clear anodize  
Other Finishes Available

### ELECTRICAL

Input Voltage:	12 or 24 VDC/VAC (Field Selectable)
Current Draw:	0.42A @ 12V Each Coil 0.21A @ 24V Each Coil
Contact Ratings:	DSM - 0.5A @ 24VDC/VAC DYN - 1A @ 24VDC/VAC ATS - 0.5A @ 24VDC/VAC
Coil Resistance:	53.2 Ohms (+/- 10%) Wht/Wht, Blk/Blk

**DYNALOCK CORPORATION**  
705 EMMETT STREET / PO BOX 2728  
BRISTOL, CT 06011-2728  
PHONE: 877-DYNALOCK / FAX: 860-585-0338  
E-MAIL: INFO@DYNALOCK.COM  
WEBSITE: WWW.DYNALOCK.COM

Featuring  
  
**DynaLife**<sup>®</sup>  
Lifetime Warranty