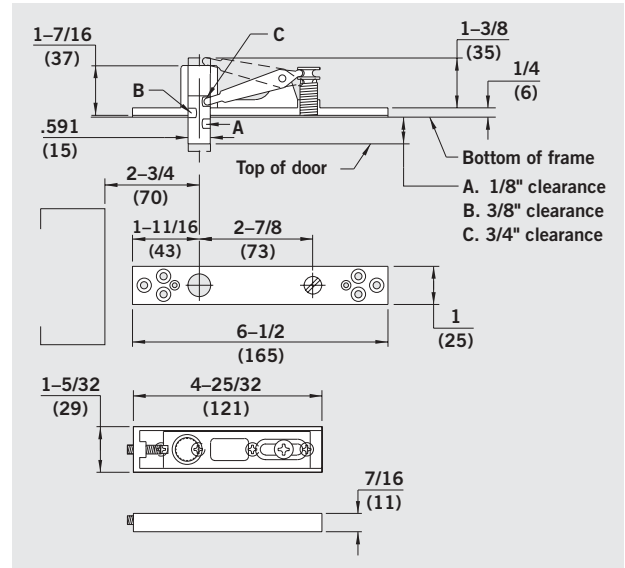
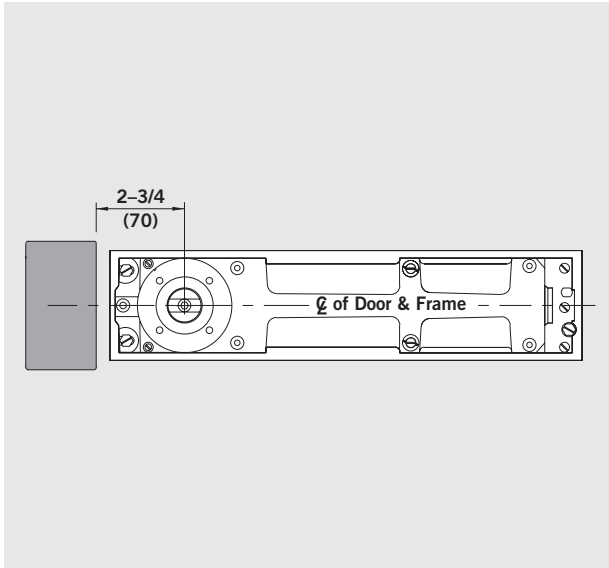
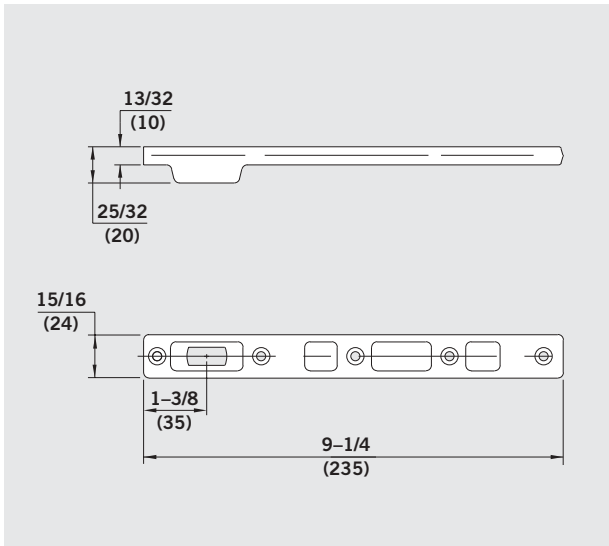


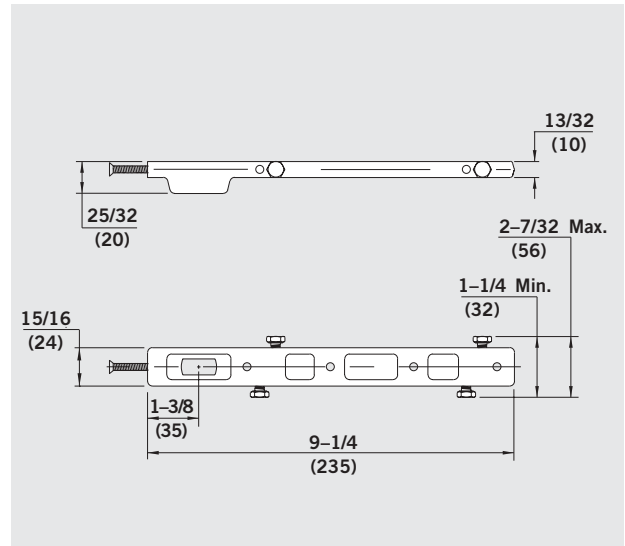
Accessories for Center Hung Installations



No. 8062 — Walking beam top pivot with cover plate. Adjustable to obtain top door clearances of 1/8", 3/8" or 3/4". Optional extended pin available for clearances of 3/4", 1" or 1-5/16".

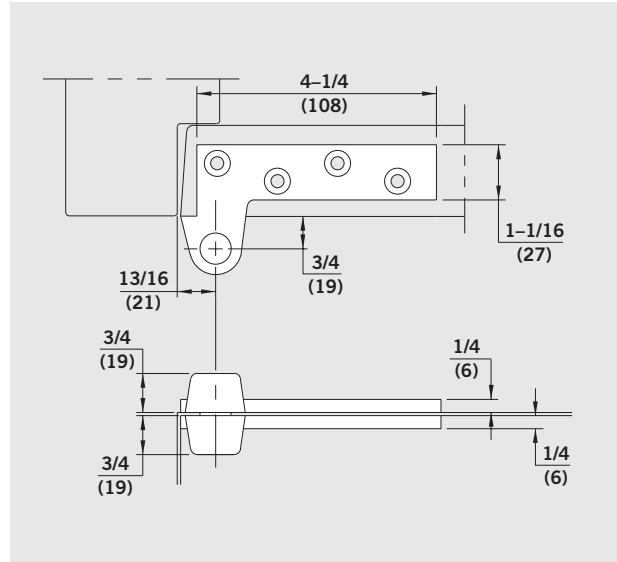
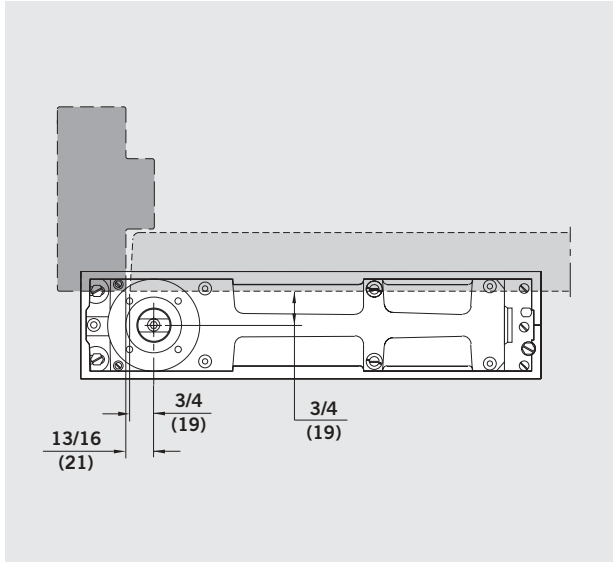


No. 7421 — Center hung bottom arm for steel or wood doors.



No. 7422 — Center hung bottom arm for aluminum doors.

Accessories for 3/4" Offset Installations



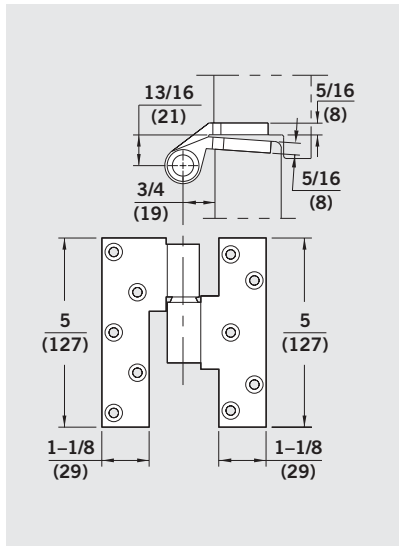
No. 75120 — 3/4" offset brass top pivot.

No. 75122 — 3/4" offset brass top pivot.

U.L. listed for 20-minute rated fire doors.

No. 75133 — 3/4" offset steel top pivot.

For use on fire doors rated up to three hours.

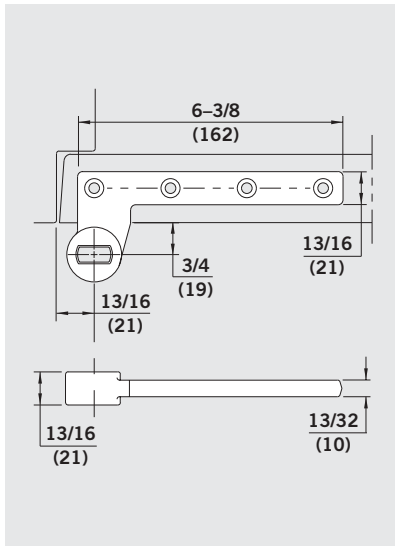


No. 75220 — 3/4" offset standard-duty brass intermediate pivot.

No. 75222 — 3/4" offset standard-duty brass intermediate pivot. U.L. listed for 20-minute rated fire doors.

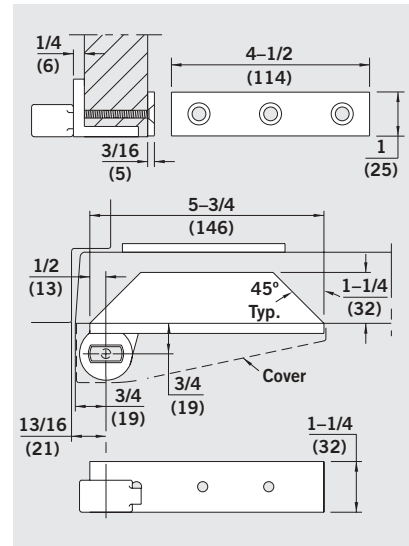
No. 75233 — 3/4" offset heavy-duty steel intermediate pivot. For use on fire doors rated up to three hours.

(Specify Hand)



No. 75323 — 3/4" offset standard-duty steel bottom arm. Can also be used on fire doors rated up to three hours.

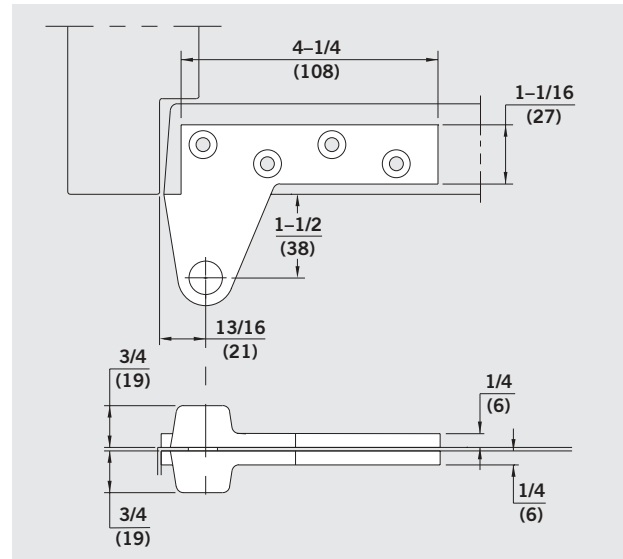
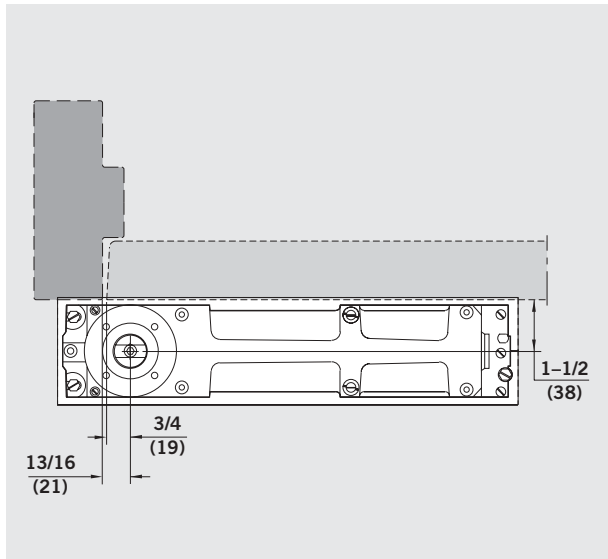
(Specify Hand)



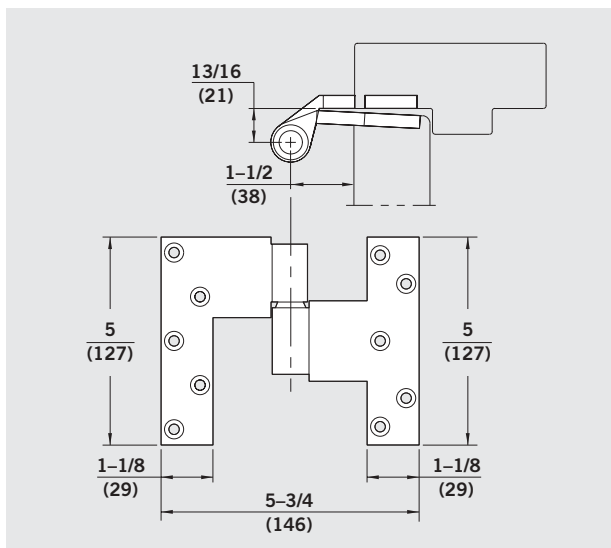
No. 75353 — 3/4" offset steel bottom arm. Closer is removable without removing door. Intermediate pivots are required when using this arm.

(Specify Hand)

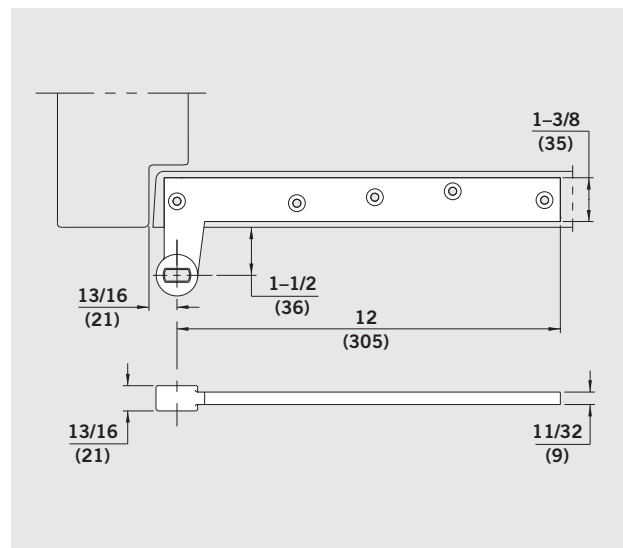
Accessories for 1-1/2" Offset Installations



No. 15120 — 1-1/2" offset brass top pivot.

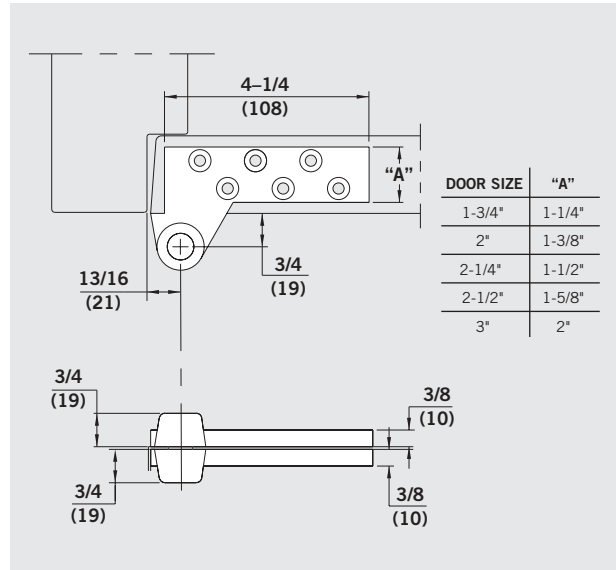
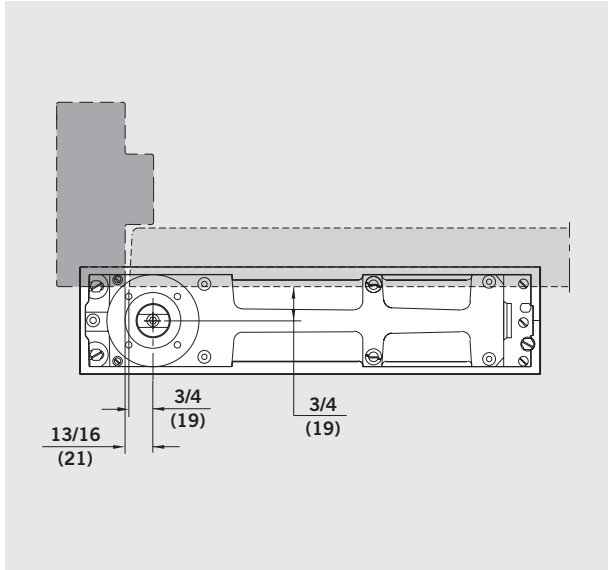


No. 15220 — 1-1/2" offset brass intermediate pivot.
(Specify Hand)



No. 15323 — 1-1/2" offset steel bottom arm.
(Specify Hand)

Accessories for 3/4" Offset Lead-Lined Installations



No. 75140 — 3/4" offset brass top pivot for lead-lined doors 1-3/4" thick.

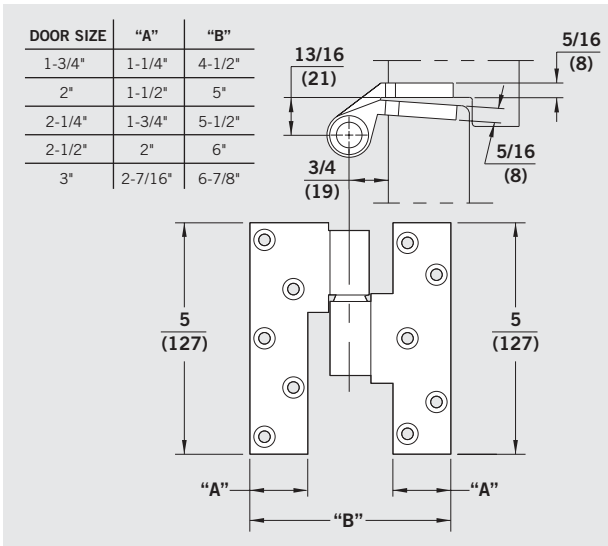
Note: For doors 2" to 3" thick specify as follows:

No. 75140-2 — For use on doors 2" thick.

No. 75140-2-1/4 — For use on doors 2-1/4" thick.

No. 75140-2-1/2 — For use on doors 2-1/2" thick.

No. 75140-3 — For use on doors 3" thick.



No. 75240 — 3/4" offset brass intermediate pivot for lead-lined doors 1-3/4" thick.

Note: For doors 2" to 3" thick specify as follows:

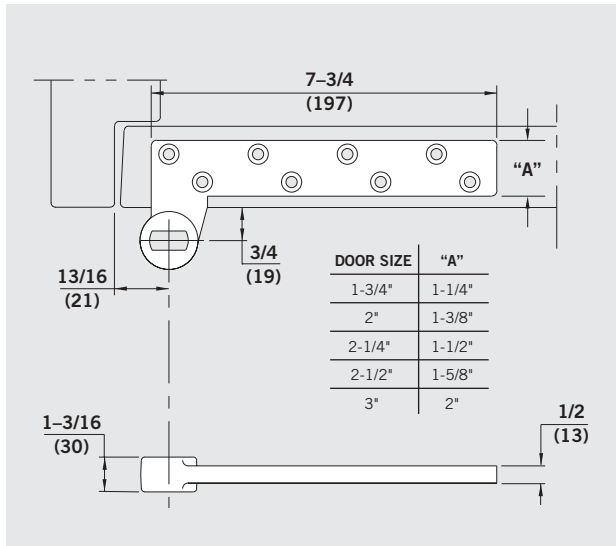
No. 75240-2 — For use on doors 2" thick.

No. 75240-2-1/4 — For use on doors 2-1/4" thick.

No. 75240-2-1/2 — For use on doors 2-1/2" thick.

No. 75240-3 — For use on doors 3" thick.

(Specify Hand)



No. 75343 — 3/4" offset steel bottom arm for lead-lined 1-3/4" doors.

Note: For doors 2" to 3" thick specify as follows:

No. 75343-2 — For use on doors 2" thick.

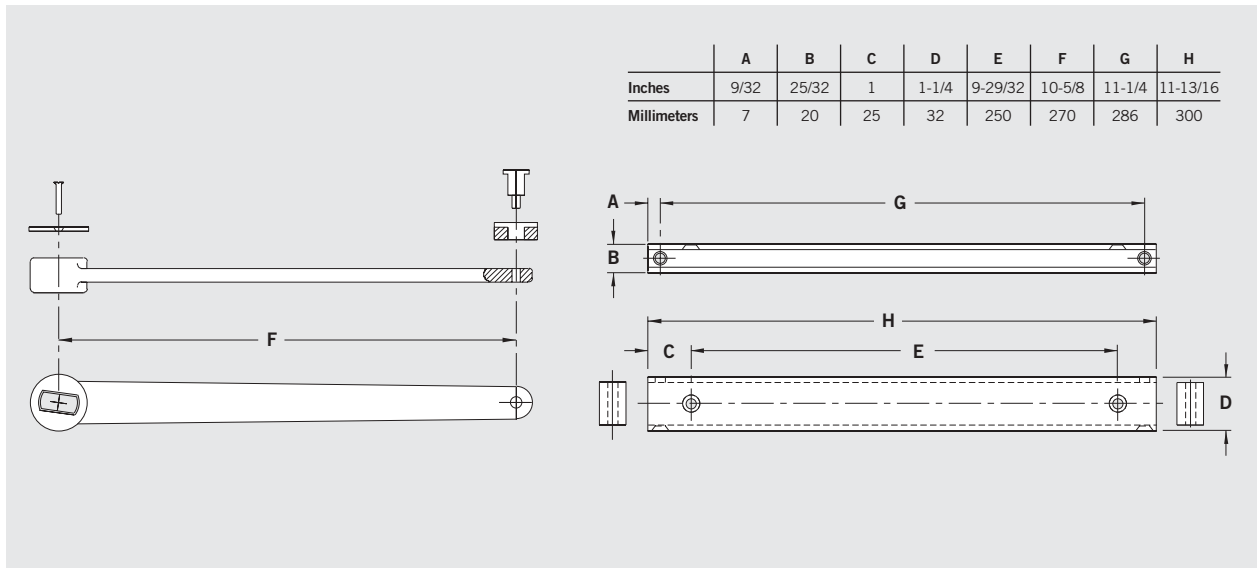
No. 75343-2-1/4 — For use on doors 2-1/4" thick.

No. 75343-2-1/2 — For use on doors 2-1/2" thick.

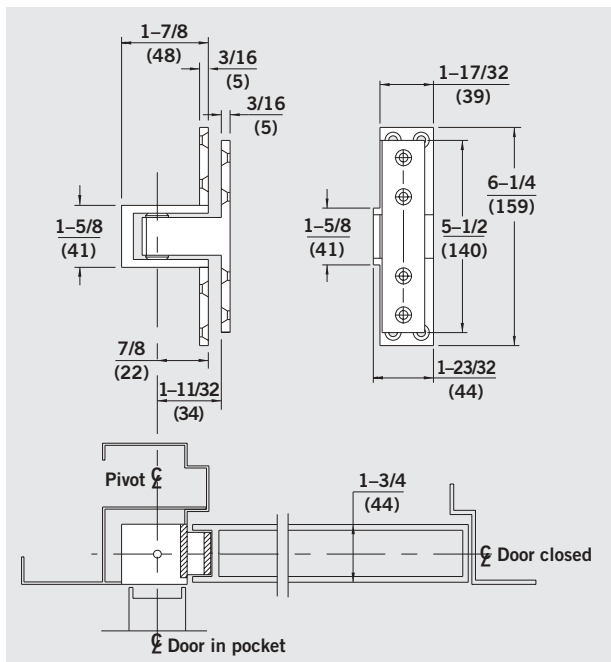
No. 75343-3 — For use on doors 3" thick.

(Specify Hand)

Accessories for Independently Hung Installations



No. 7451N Slide Arm and Channel — Drop forged steel with nylon slide block, cover washer, and anodized aluminum channel.



No. 75520 — Brass pocket pivot. For 90° pocket doors.

No. 75523 — Steel pocket pivot for 90° pocket doors.

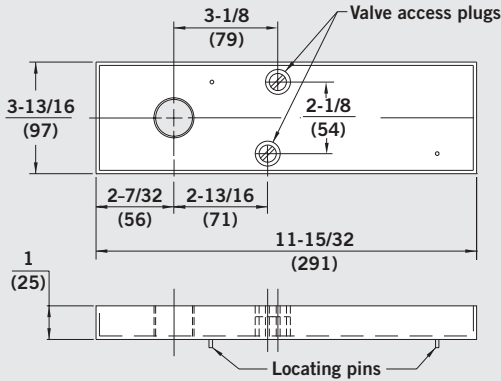
U.L. listed for 20 minute wood doors and 3 hour rated steel fire doors.

(Specify Hand)

Terrazzo Pan

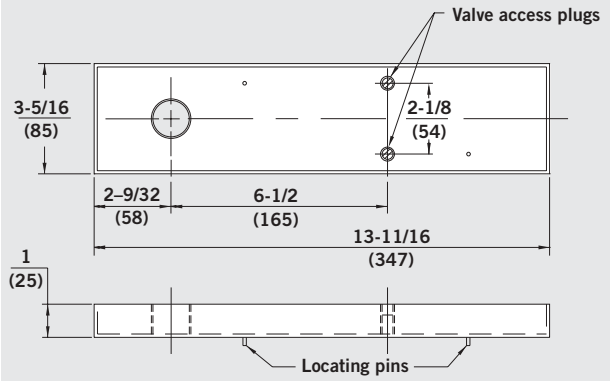
BTS 75V Series

- **TP 75V CH** for center hung applications (shown).
- **TP 75V RH** or **LH** for 3/4" offset applications (specify hand).



BTS 80/BTS 80 EMB Series

- **TP 80 CH** for center hung applications (shown).
- **TP 80 RH** or **LH** for 3/4" offset applications (specify hand).



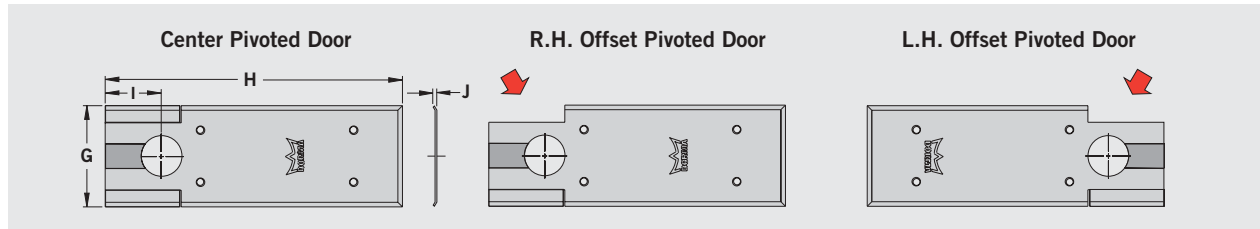
Made from stainless steel and used in lieu of standard floor plate. Offers uninterrupted appearance with terrazzo or marble. Shims are included to allow easy removal of pan after initial installation.

Note: When calculating the spindle size to be used with a terrazzo pan application, add 1" to the desired clearance between the door and the finished floor.

Cover Plate

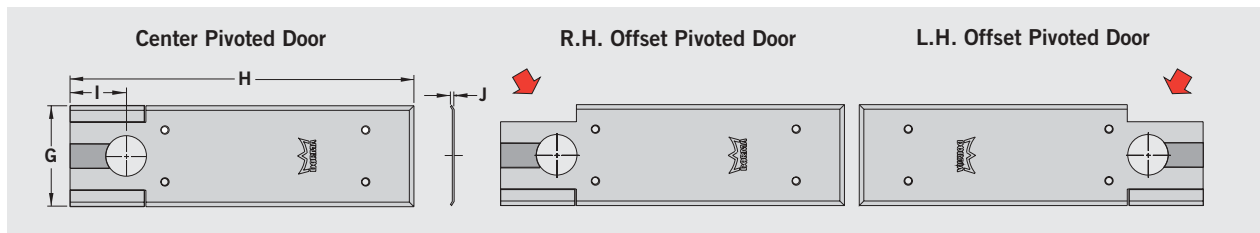
The BTS 75V universal cover plate **7510**, suitable for left hand/right hand, 3/4" offset, 1-1/2" offset, and center pivoted doors.

	G	H	I	J
Inches	4-1/8	12-1/8	2-9/32	3/32
Millimeters	105	308	58	2



The BTS 80 and BTS 80 EMB universal cover plate **7410**, suitable for left hand/right hand, 3/4" offset, 1-1/2" offset, and center pivoted doors.

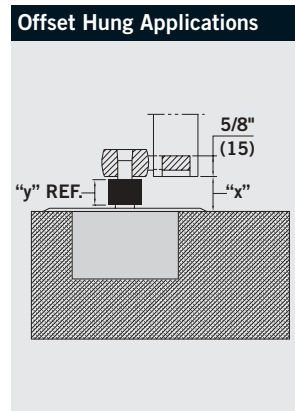
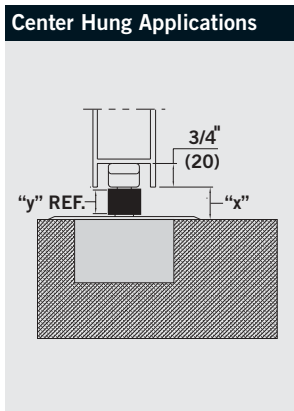
	G	H	I	J
Inches	4-1/8	14-3/32	2-9/32	3/32
Millimeters	105	358	58	2



Spindles			
Spindle No.	Dimension "x" (Door Clearance)	Offset Spindle No.	Dimension "y"
74003	5/16"	80003	1/8"
74005	1/2"	80005	5/16"
74007	5/8"	-	7/16"
(STD) 74010	3/4"	80010	1/2"
74012	13/16"	-	5/8"
74015	7/8"	80015	11/16"
74020	1-1/8"	80020	7/8"
74025	1-5/16"	80025	1"
74030	1-1/2"	80030	1-5/16"
74035	1-11/16"	-	1-1/2"
74040	1-7/8"	-	1-11/16"
74045	2-1/16"	-	1-7/8"
74050	2-5/16"	-	2-1/16"

Extended Spindle Insert
NOTE: Closer and arm must be installed per template for door clearances shown to be valid.

Closers with extended spindle inserts are used with thresholds, carpeted floors, terrazzo pans or in cases where more clearance between door and floor is required. All spindles are zinc plated.



Offset Spindles
 Spindles are available with a 3° offset for additional pressure to hold door in the closed position. Normally, this is only necessary for center-pivoted single acting applications. However, they can also be used with other applications to compensate for templating errors. Specify hand of offset spindle when ordering.