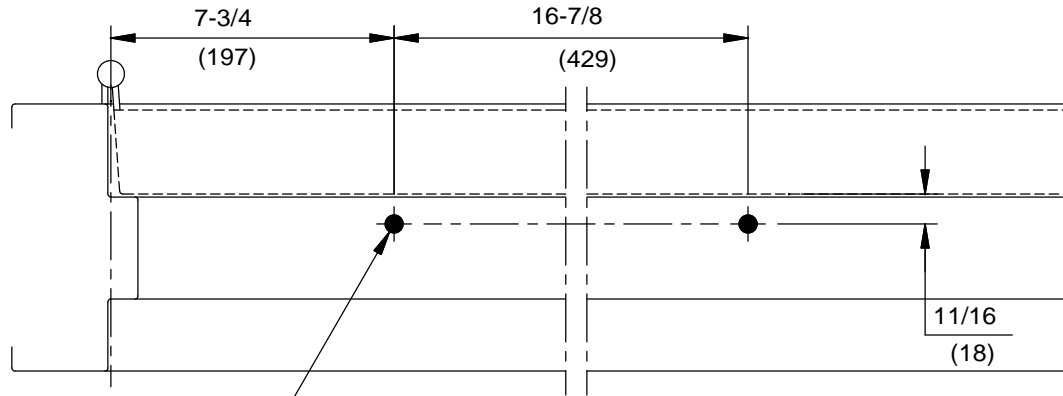


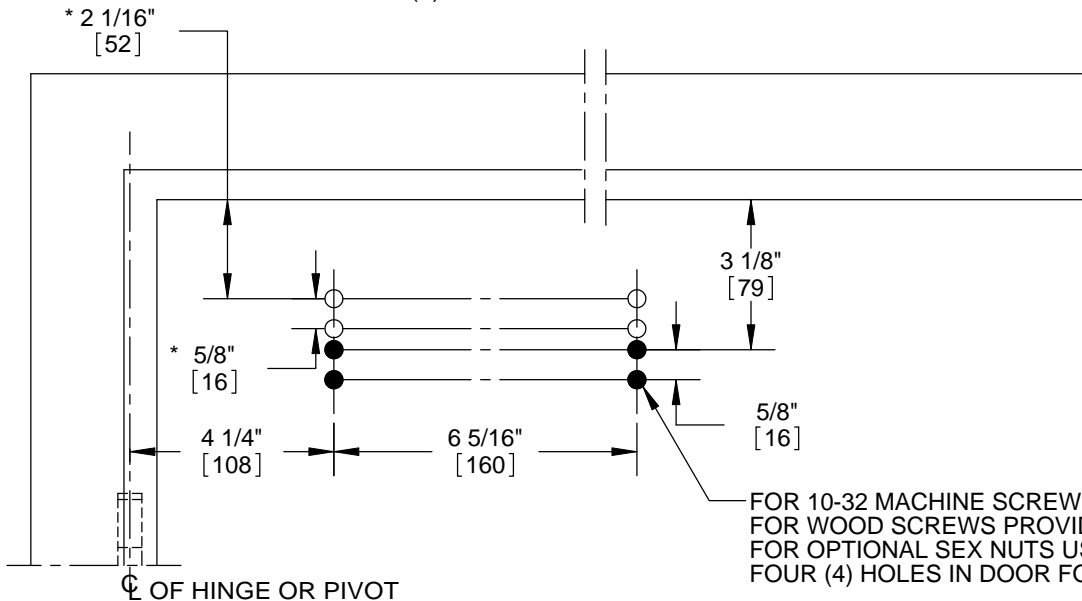
Always consult Dorma's web site for latest template at www.dorma-usa.com or call 1-800-523-8483.



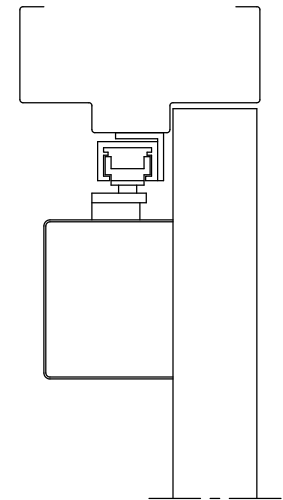
FOR 10-32 MACHINE SCREWS USE No.21 (0.159") DRILL & TAP
 FOR WOOD SCREWS PROVIDED USE 1/8" DRILL
 TWO (2) HOLES IN FRAME FOR ANGLE BRACKET

NOTES:

1. DO NOT SCALE DRAWING.
2. DIMENSIONS ARE IN INCHES/(MM).
3. LEFT HAND DOOR SHOWN.
4. SEX NUTS RECOMMENDED FOR ATTACHMENT OF COMPONENTS ON UNREINFORCED, COMPOSITE OR LABELED FIRE DOORS.
5. MAXIMUM DEGREE OF OPENING 135°. FOR DOORS OPENING OVER 135°, AN AUXILIARY STOP MUST BE INSTALLED.
6. TEMPLATE FOR 4-1/2" X 4-1/2" BUTT HINGES AND 3/4" OFFSET PIVOTS.
7. MINIMUM DOOR WIDTH 26".
8. HOLD OPEN RANGE 55° TO 130°.
9. *2-1/16" & *5/8" ARE OPTIONAL MOUNTING FOR NARROW TOP RAIL.



FOR 10-32 MACHINE SCREWS USE No.21 (0.159") DRILL & TAP
 FOR WOOD SCREWS PROVIDED USE 1/8" DRILL
 FOR OPTIONAL SEX NUTS USE 3/8" DRILL
 FOUR (4) HOLES IN DOOR FOR MOUNTING PLATE



DOOR CLOSER MODELS: TS93PT, TS93PTHO
 PARALLEL TRACK INSTALLATION (PUSH SIDE MOUNT)
 NON-HOLD OPEN AND HOLD OPEN



DORMA Door Controls
 Reamstown, PA 17567