

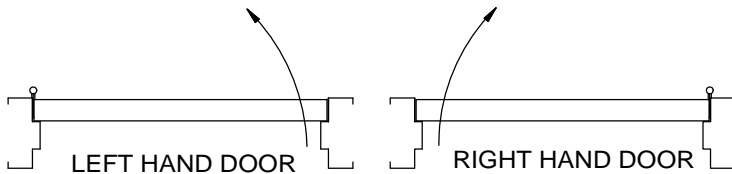
ITS96-1 and ITS96-2 (Wood Door and Frame) Closer in Door Track in Frame



1 (REFERENCE UNIT CARTON FOR ACCESSORIES AND OPTIONS SUPPLIED)

Determine hand of door. Prepare door and frame according to template 08279632.

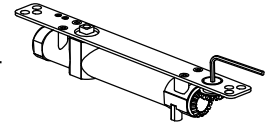
If 08082820 accessory track brackets are used, refer to template 08279633.



The ITS 96 is UL listed for use on fire doors. Refer to door and frame manufacturer applications to determine if preparation is listed for fire door applications.

2 Adjust spring tension.

CRITICAL



NOTE: Clockwise turns increase spring tension.

5MM HEX WRENCH

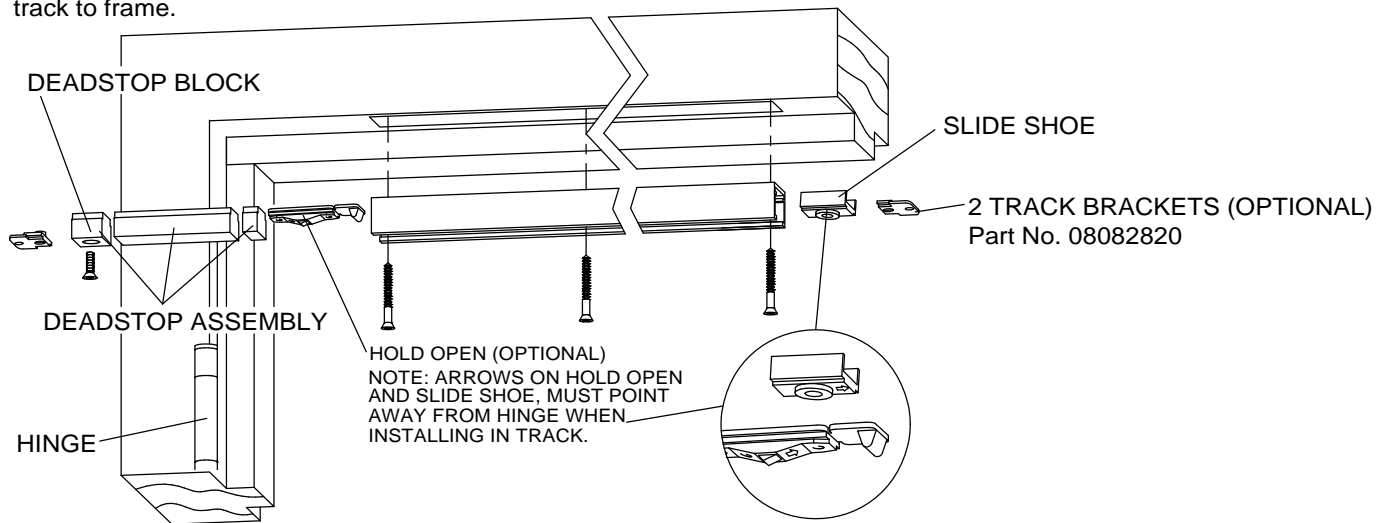
NOTE: MAXIMUM NUMBER OF TURNS - 17

BARRIER-FREE OPENINGS - Adjust only if more tension is required to close and latch the door. Depending on opening conditions, a door adjusted to meet barrier-free forces may not have sufficient power to reliably close and latch the door.

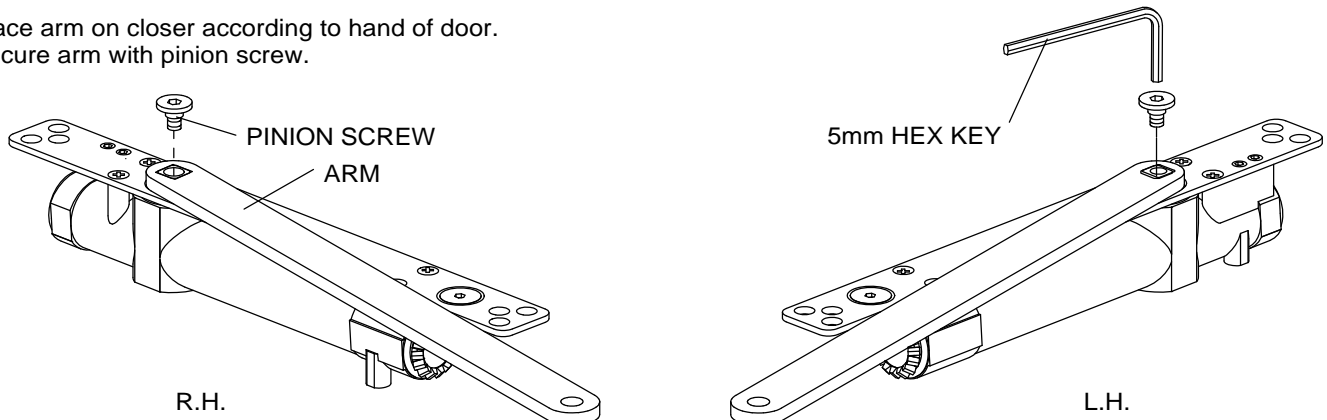
NON-BARRIER-FREE OPENINGS- Adjust according to chart.

DOOR WIDTH (INTERIOR)	MAXIMUM DOOR WT. (LBS)	FULL TURNS OF SPRING ADJUSTER ITS-1	FULL TURNS OF SPRING ADJUSTER ITS-2	SPRING SIZE
2'-6"	100	8	N/A	2
3'-0"	125	15	-5	3
3'-6"	150	N/A	0	4
4'-0"	200	N/A	8	5
4'-6"	250	N/A	16	6

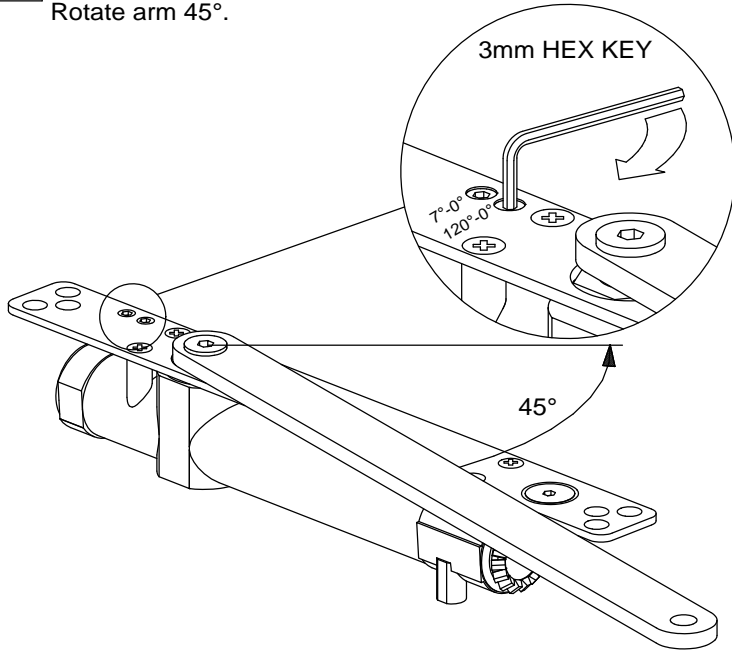
3 Thread screw a few turns into the deadstop block. Insert components into track as shown. Fasten track to frame.



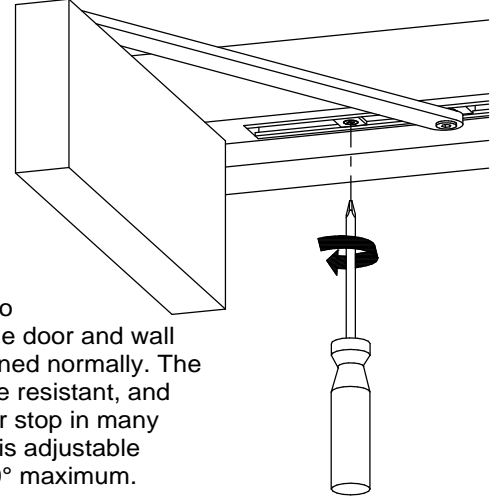
4 Place arm on closer according to hand of door. Secure arm with pinion screw.



- 5 Close valve by turning completely clockwise.
Rotate arm 45°.

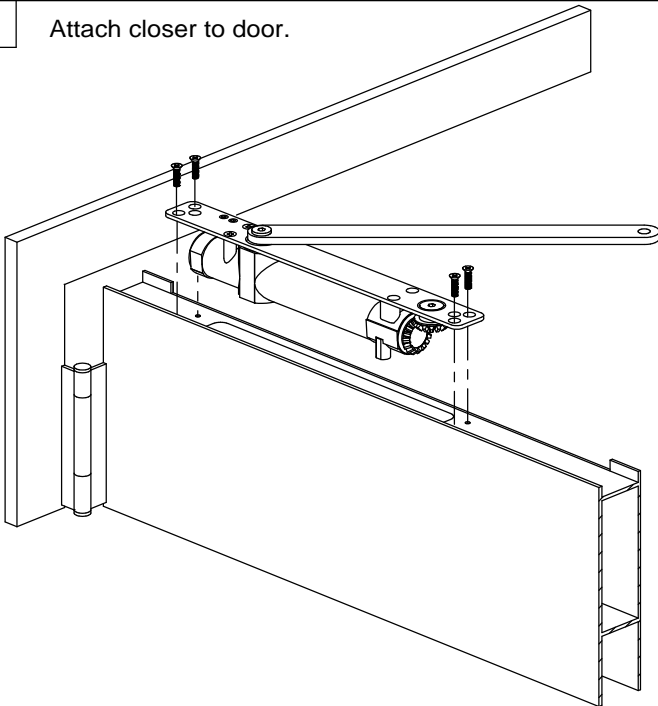


- 8 Adjust deadstop.
Open door to desired opening between 80° and 120°. Tighten deadstop block.



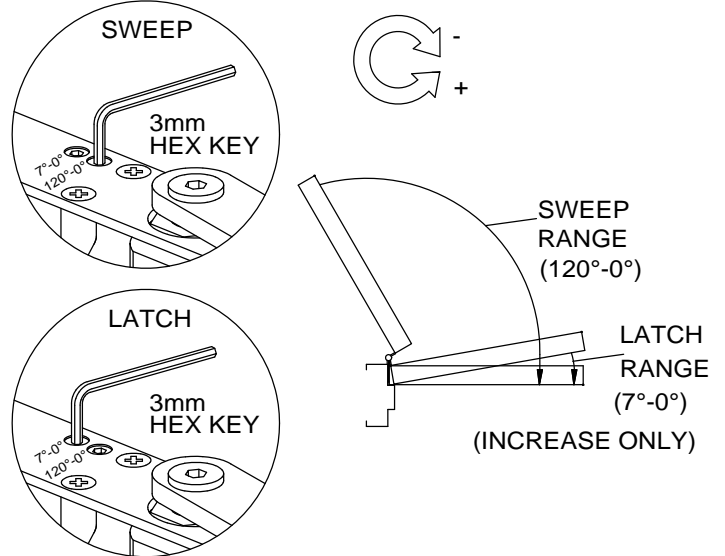
The deadstop helps to prevent damage to the door and wall when the door is opened normally. The deadstop is not abuse resistant, and cannot replace a door stop in many situations. Deadstop is adjustable between 80° and 120° maximum.

- 6 Attach closer to door.

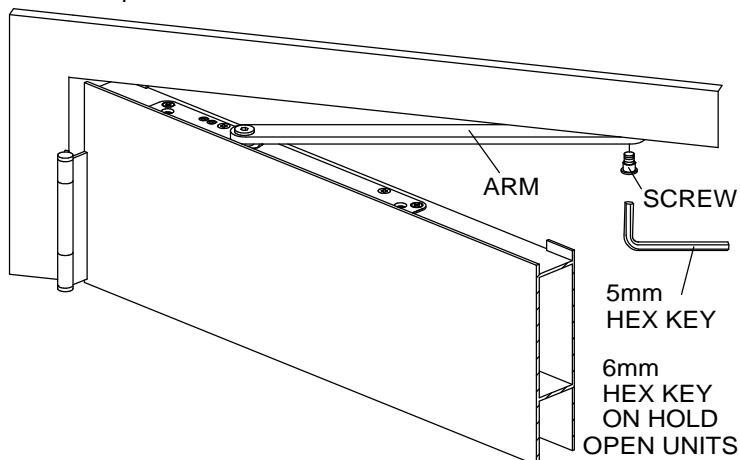


- 9 Adjust sweep and latch valves.

CAUTION: DO NOT REMOVE VALVES



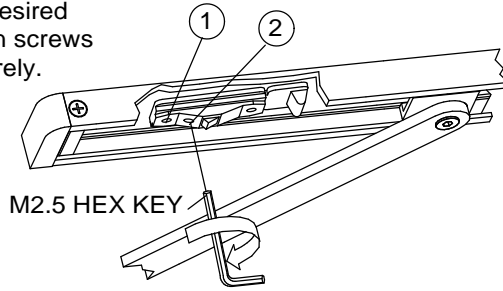
- 7 Align hole in arm with slide shoe and attach with screw provided.



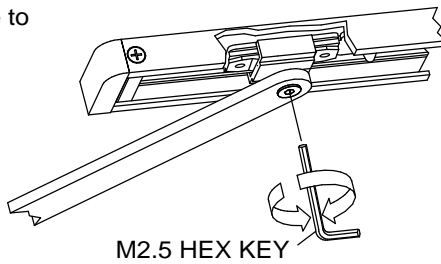
(HOLD OPEN UNITS ONLY)

Set hold open.

- A** Place the hold open mechanism in desired position. Tighten screws #1 and #2 securely.



- B** To adjust hold open force, turn clockwise to increase force, and counter clockwise to weaken force.



- C** To enable hold open, push the white slide into the hold open mechanism. To disable hold open, pull the white slide away from hold open mechanism.

