



Surface Applied
Door Closers

DORMA 8900

Technical Details and Specifications 3
 How to Order. 4

Technical Drawings

Regular x flat form arm 5
 Regular x friction hold open 5
 Regular x plunger hold open 6
 Regular x integra stop arm. 6
 Regular x flat form arm x backplate. 7
 Regular x flat form arm x mortised jamb bracket 7
 Top jamb x flat form arm 8
 Top jamb x flat form arm x backplate. 8
 Top jamb drop x flat form arm x backplate 9
 Top jamb x friction hold open x backplate 9
 Top jamb x integra stop arm x backplate 10
 Top jamb x flat form arm x angle bracket 10
 Parallel arm x flat form arm 11
 Parallel arm x friction hold open 11
 Parallel arm x plunger hold open 12
 Parallel arm x flat form arm x drop plate 12
 Parallel arm x flat form arm x mortised jamb bracket 13
 Parallel arm x flat form arm x parallel drop bracket 13
 Parallel arm x flat form arm x
 parallel flush transom bracket 14
 Heavy-duty super parallel arm. 14
 Heavy-duty parallel arm door saver x dead stop. 15
 Heavy-duty super parallel arm x narrow frame bracket. 15
 Heavy-duty parallel arm door saver x dead stop x
 narrow frame bracket. 16
 Heavy-duty super parallel arm x blade stop spacer 16
 Heavy-duty parallel arm door saver x dead stop x
 blade stop spacer 17
 Heavy-duty super parallel arm x flush transom bracket 17
 Heavy-duty parallel arm door saver x dead stop x
 flush transom bracket 18
 Track - pull side door mounted 18
 Track - pull side door mounted x backplate 19
 Jamb track - pull side frame mounted 19
 Push track - push side soffit mounted 20
 Flush track - push side door mounted x backplate. 20
 Track double egress - pull side frame mounted 21
 90° pocket door (track arm) 21
 90° pocket door (double-lever arm) 22
 180° pocket door (double-lever arm) 22



Accessories

Flat form arm 23
 Flat form arm for MJ 23
 Friction hold open arm. 23
 Integra stop arm. 23
 Plunger hold open arm. 24
 Super parallel arm. 24
 Door saver arm 24
 Track arm 24
 TDE track arm. 25
 Regular arm shoe and bar. 25
 Full plastic cover. 25
 FMC full metal cover 25
 Sex nuts 25
 BP89 backplate 26
 DP89 drop plate 26
 AB89 angle bracket. 26
 PD drop bracket 26
 P89 bracket 26
 PHB parallel hold open bracket. 26
 PFT parallel flush transom bracket 26
 NFHD narrow frame bracket 26
 FTHD flush transom bracket. 27
 MJ mortised jamb bracket 27
 BS blade stop spacer 27
 BSHD heavy-duty blade stop spacer 27
 Conversion plates 28

ISO 9001:2000



The quality management system at the Reamstown, PA facility is certified to ISO-9001.*



*DORMA Door Controls Inc., dba: DORMA Architectural Hardware


The 8900 Series heavy-duty, 10 million cycle closers represent the latest in door control technology, combining over a quarter century of proven performance with its hydraulic control system and modern architecturally styled aesthetics.

Featuring full range spring power adjustment and backcheck, along with a narrow projection full cover and flatform style arm, the 8900 Series results in the perfect combination of durability, reliability, and appearance.

Doors and their adjacent structures are expensive and should be protected by controlled door opening. The 8900 Series hydraulic backcheck feature does exactly that, with its valve adjustment for backcheck intensity. In addition to the backcheck feature, a **backcheck positioning** adjustment for parallel arm applications provides a consistent backcheck range similar to regular and top jamb applications.

Combined, these superior features exceed most demands placed on a door closer, plus it's all backed by DORMA's 25-year warranty. The 8900 Series, with the fully adjustable spring, also meets barrier-free accessibility requirements.

Technical Details:

-  Available as 8916 closers for interior and exterior barrier-free requirements (adjustable size 1–6).
- Available as 8956 closers for exceptionally wide, tall, or heavy doors (adjustable size 5 to 6 +50% adjustment).
- Backcheck feature prevents uncontrolled opening of the door by providing an intensity adjustable hydraulic cushioning.
- Backcheck positioning valve to maintain effective backcheck range on parallel arm applications.
- Optional delayed action adjustable with a separate independent valve. Extends the closing cycle to allow unobstructed passage through the opening.
- Designed to minimize change in closing speed during severe temperature changes.
- Tamper-resistant valve adjustments, including backcheck positioning, accessible with the closer installed.
- Non-handed for regular, top jamb, and parallel arm applications.
- Impact resistant, full plastic cover standard. Full metal cover optional.
- Heavy-duty, aesthetically pleasing, and easy to adjust steel arm assembly.
- A full complement of optional arms, plates, and brackets available for special applications.
- SN1 sex nuts for 1-3/4" thick doors included standard.
- Available with optional self-drilling screws for steel door and frame applications (DPK89)
- Available with optional self-tapping screws for aluminum door and frame applications (TPK89).

Features	8916	8956
Adjustable spring size	1–6	5–6 +50%
Controlled closing with two adjustment valves	180°–15° 15°–0°	180°–15° 15°–0°
Backcheck	•	•
Backcheck positioning valve	•	•
SN1 sex nuts for 1-3/4" thick doors included	•	•
Hydraulic delayed action	◦	◦
Self-drilling screws	◦	◦
Self-tapping screws	◦	◦
Tamper-resistant TORX screws	◦	◦

• yes ◦ optional

Certification:

The DORMA 8900 Series is listed by U.L. and C.U.L. under their continuing reinspection programs. The 8900 Series is certified to the requirements of ANSI A156.4 Grade 1. Meets the requirements for UL10C and UBC 7.2 (1997) for positive pressure. The 8916 version meets the requirements of ANSI A117.1 and ADA for barrier-free accessibility. California State Fire Marshall (CSFM) approved.

Specification:

The heavy-duty 8900 Series non-handed surface applied closer with adjustable spring power and backcheck positioning adjustment. The 8900 has intensity adjustable hydraulic backcheck that will take effect at approximately 65°. The 8900 has two independent, noncritical adjustment valves to control sweep and latch closing speeds. The backcheck positioning valve maintains an effective backcheck range on parallel arm applications. The 8916 will be available with field adjustable spring power from size 1 to 6 for barrier-free requirements. The 8956 will be adjustable size 5 to 6 +50% additional closing force over the size 6.

Optional Specifications:

The 8900 Series closer will have optional delayed action. Delayed action range will be effective from maximum opening to approximately 65°. All 8916 and 8956 SPA, SPAT, and SPAK to have (ABP) Advanced Backcheck Position to advance backcheck to approximately 45°. All 8900 closers to have full metal covers. All 8900 closers to have sex nuts with machine screws for 1-3/8" door (SN2). Closers to have self-drilling screws for steel doors and frames (DPK89). Closers to have self-tapping screws for aluminum doors and frames (TPK89). Closers to have TORX security for all exposed fasteners (TX89).

REDUCED OPENING FORCE INSTALLATIONS CAUTION:

Manual door closers, including closers certified to conform to BHMA/ANSI Standard A156.4, when installed and adjusted to conform to ADA or other reduced opening force requirements, may not provide sufficient power to reliably close and latch a door.

Refer to catalog for information on ED800 Low Energy Operator to meet reduced opening force requirements without affecting closing power.

Warranty: 25 years.

Finishes:

Standard Sprayed Finishes:

Aluminum: 689.
Bronze: 691 (Dull), 690 (Statuary), or 695 (Dark Duranodic).
Gold: 696
Black: 693.

Optional Special Color Sprayed Finishes: Specify code number or submit 3 color chip samples.

Optional Plated Finishes:

Brass: 605 (Bright) or 606 (Satin).
Bronze: 611 (Bright), 612 (Satin), or 613 (Oxidized Satin Oil Rubbed).
Nickel: 618 (Bright) or 619 (Satin).
Chrome: 625 (Bright) or 626 (Satin).

Technical Drawing Symbols and Notes

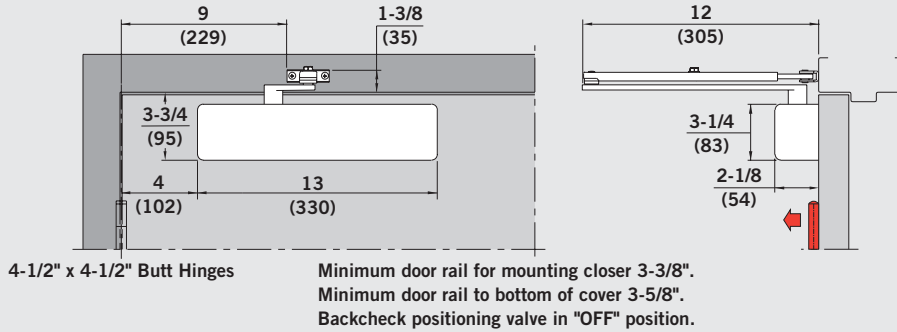
- – Recommended application
- N/A – Not applicable/application not recommended
- ⚠ – Opening force 5 lb or less on interior doors; 8.5 lb or less on exterior doors where door without closer attached requires 1 lb opening force or less.

NOTE: The effective degree at which the backcheck occurs is determined by a **backcheck positioning** adjustment. Specifically designed for parallel arm applications, it advances the backcheck to an approximate range similar to regular and top jamb applications. The backcheck range(s) shown with each parallel arm technical drawing reflects an **on** status. Regular, top jamb, and track ranges reflect an **off** status. The 8900 Series closer is shipped with the backcheck positioning valve off. The (ABP) Advanced Backcheck Position option is available for SPA heavy-duty parallel arm applications to further advance backcheck for extremely abusive environments.

How to Order 8900 Series		Example:
Size	Adjustable 1–6 or 5–6 +50%	8916/8956
Application	No Designation - Regular mount P - Regular, top jamb and parallel mount J - Top jamb mount	8916/8956 AF89 8916/8956 AF89P 8916/8956 AF89J
Body Option	DA - Adjustable delayed action FC/FCSL - Full plastic cover FMC - Full metal cover (specify hand for TJ, T, and FT applications)	8916/8956DA 8916/8956 FC/FCSL 8916/8956 FMC
Arm	AF89 - Flat form non-hold open (regular mount) AF89J - Flat form non-hold open (top jamb mount) AF89P - Flat form non-hold open (parallel arm mount) FH - Friction hold open (regular mount) FHJ - Friction hold open (top jamb 4" to 8" reveal) FHP - Friction hold open (parallel arm) PH - Plunger hold open (regular or [top jamb 0" to 1-1/2" reveal]) PHP - Plunger hold open (parallel arm or [top jamb 1-1/2" to 3-1/2" reveal]) IS - Dead stop arm (regular mount) ISJ - Dead stop arm (top jamb 4" to 6" reveal) SPA - Super parallel arm SPAT - Super parallel arm, thumb turn hold open SPAK - Super parallel arm, hex key turn hold open DS - Door saver parallel arm DST - Door saver parallel arm, thumb turn hold open DSK - Door saver parallel arm, hex key turn hold open T - Slide track arm T, JT, and FT applications TH - Slide track arm T, JT, and FT applications with hold open PT89 - Stop mounted slide track arm PT89H - Stop mounted slide track arm with hold open TDE - Jamb mounted slide track arm, double egress (specify hand) TDEH - Jamb mounted slide track arm, double egress with hold open (specify hand)	8916/8956 AF89 8916/8956 AF89J 8916/8956 AF89P 8916/8956 FH 8916/8956 FHJ 8916/8956 FHP 8916/8956 PH 8916/8956 PHP 8916/8956 IS 8916/8956 ISJ 8916/8956 SPA 8916/8956 SPAT 8916/8956 SPAK 8916/8956 DS 8916/8956 DST 8916/8956 DSK 8916/8956 T 8916/8956 TH 8916/8956 PT89 8916/8956 PT89H 8916/8956 TDE L 8916/8956 TDEH L
Accessories	- Specify the number of the accessory.	8916/8956 DP89
Fastener Packs	SN1 - Sex nuts (see information on page 27) DPK89 - Self-drilling screw pack for steel doors and frames TPK89 - Self-tapping screw pack for aluminum doors and frames TX89 - Tamper-resistant TORX screws (N/A track mounts)	8916/8956 SN1 8916/8956 DPK89 8916/8956 TPK89 8916/8956 TX89
Finish	See DORMA finish information in this brochure. Example: 689 = Aluminum	8916/8956 689

Regular x Flat Form Arm

8916 AF89
8956 AF89



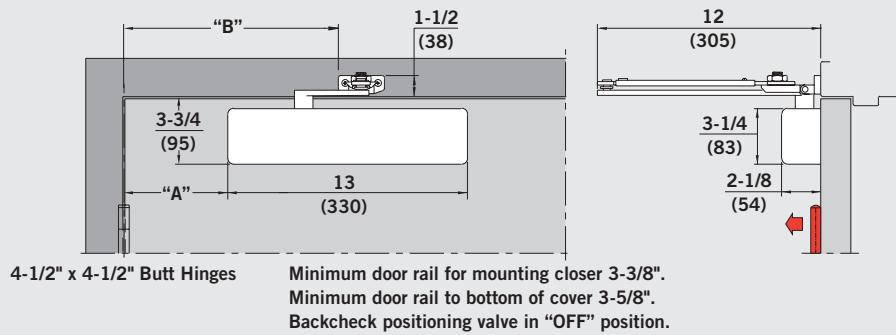
Size Selection Chart

CLOSER	INTERIOR/ EXTERIOR	DOOR WIDTH							MAXIMUM OPENING	APPROX. BACKCHECK*	APPROX. DELAYED ACTION
		2'-0" min.	2'-6" max.	3'-0" max.	3'-6" max.	4'-0" max.	4'-6" max.	5'-0" max.			
8916	INTERIOR	•	•	♿	♿	♿	♿	N/A	180°	65°-180°	180°-65°
	EXTERIOR	•	•	♿	♿	♿	N/A	N/A			
8956	INTERIOR	N/A	N/A	N/A	N/A	•	•	•			
	EXTERIOR	N/A	N/A	N/A	•	•	•	N/A			

* Backcheck is advanced approximately 15° with positioning valve on.

Regular x Friction Hold Open

8916 FH
8956 FH



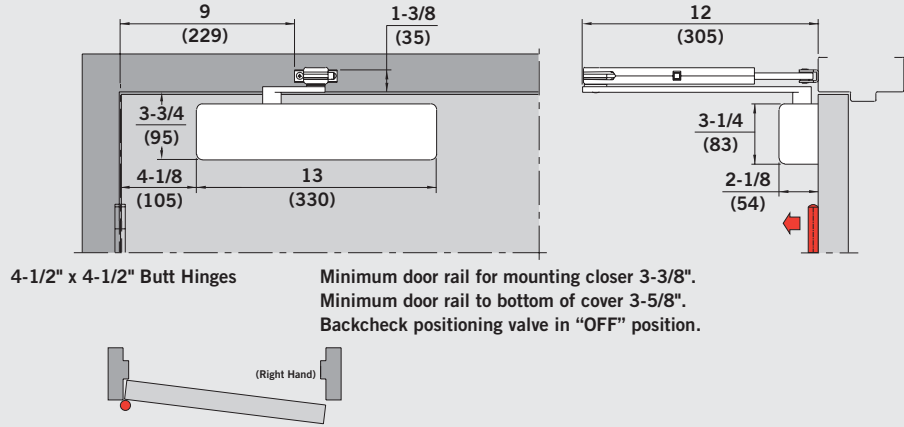
Size Selection Chart

CLOSER	INTERIOR/ EXTERIOR	DOOR WIDTH							TEMPLATE REFERENCE	DIM "A"	DIM "B"	APPROX. MAXIMUM OPENING	APPROX. BACKCHECK*	APPROX. DELAYED ACTION	MINIMUM HOLD OPEN	MAXIMUM HOLD OPEN
		2'-0" min.	2'-6" max.	3'-0" max.	3'-6" max.	4'-0" max.	4'-6" max.	5'-0" max.								
8916	INTERIOR	•	•	♿	♿	♿	♿	N/A	TO 100°	5-3/4" (146)	11-5/8" (295)	130°	65°-130°	90°-65°	85°	110°
	EXTERIOR	•	•	♿	♿	♿	N/A	N/A		3-3/4" (95)	8-7/8" (225)	180°	70°-180°	100°-70°	105°	170°
8956	INTERIOR	N/A	N/A	N/A	N/A	•	•	•								
	EXTERIOR	N/A	N/A	N/A	•	•	•	N/A								

* Backcheck is advanced approximately 15° with positioning valve on.

Regular x Plunger Hold Open

8916 PH
8956 PH



4-1/2" x 4-1/2" Butt Hinges
Minimum door rail for mounting closer 3-3/8".
Minimum door rail to bottom of cover 3-5/8".
Backcheck positioning valve in "OFF" position.

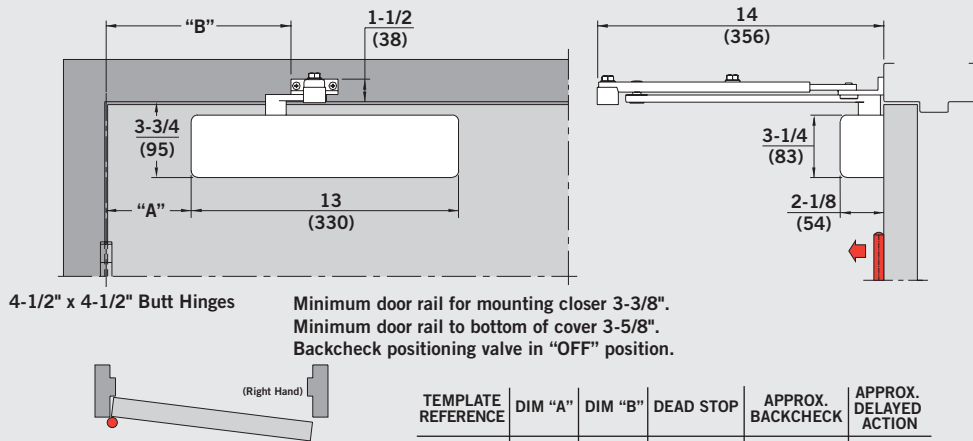
Size Selection Chart

CLOSER	INTERIOR/ EXTERIOR	DOOR WIDTH						MAXIMUM OPENING	APPROX. BACKCHECK*	APPROX. DELAYED ACTION	MINIMUM HOLD OPEN	MAXIMUM HOLD OPEN	
		2'-0" min.	2'-6" max.	3'-0" max.	3'-6" max.	4'-0" max.	4'-6" max.						5'-0" max.
8916	INTERIOR	•	•	⊗	⊗	⊗	⊗	N/A	180°	65°-180°	180°-70°	30°	140°
	EXTERIOR	•	•	⊗	⊗	⊗	N/A	N/A					
8956	INTERIOR	N/A	N/A	N/A	N/A	•	•	•					
	EXTERIOR	N/A	N/A	N/A	•	•	•	N/A					

* Backcheck is advanced approximately 15° with positioning valve on.

Regular x Integra Stop Arm

8916 IS
8956 IS



4-1/2" x 4-1/2" Butt Hinges
Minimum door rail for mounting closer 3-3/8".
Minimum door rail to bottom of cover 3-5/8".
Backcheck positioning valve in "OFF" position.

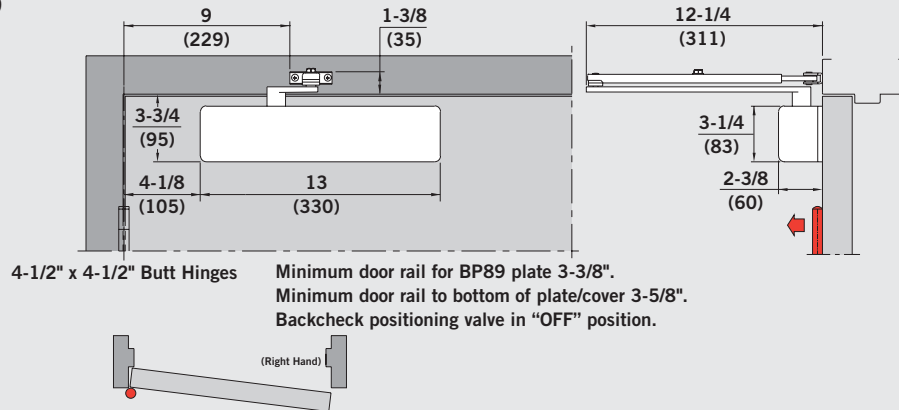
Size Selection Chart

CLOSER	INTERIOR/ EXTERIOR	DOOR WIDTH						TEMPLATE REFERENCE	DIM "A"	DIM "B"	DEAD STOP	APPROX. BACKCHECK	APPROX. DELAYED ACTION
		2'-0" min.	2'-6" max.	3'-0" max.	3'-6" max.	4'-0" max.	4'-6" max.						
8916	INTERIOR	•	•	⊗	⊗	⊗	⊗	N/A					
	EXTERIOR	•	•	⊗	⊗	⊗	N/A	N/A					
8956	INTERIOR	N/A	N/A	N/A	N/A	•	•	•					
	EXTERIOR	N/A	N/A	N/A	•	•	•	N/A					

* Backcheck is advanced approximately 15° with positioning valve on.

Regular x Flat Form Arm x Backplate

8916 AF89 BP89
8956 AF89 BP89



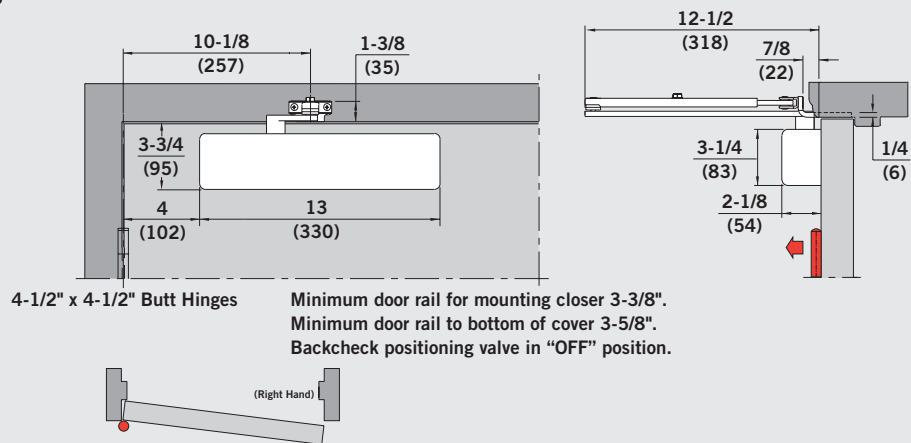
Size Selection Chart

CLOSER	INTERIOR/ EXTERIOR	DOOR WIDTH						MAXIMUM OPENING	APPROX. BACKCHECK*	APPROX. DELAYED ACTION
		2'-0" min.	2'-6" max.	3'-0" max.	3'-6" max.	4'-0" max.	4'-6" max.			
8916	INTERIOR	•	•	⊗	⊗	⊗	⊗	180°	65°-180°	180°-70°
	EXTERIOR	•	•	⊗	⊗	⊗	N/A			
8956	INTERIOR	N/A	N/A	N/A	N/A	•	•			
	EXTERIOR	N/A	N/A	N/A	•	•	•			

* Backcheck is advanced approximately 15° with positioning valve on.

Regular x Flat Form Arm x Mortised Jamb Bracket

8916 AF8MJ
8956 AF8MJ



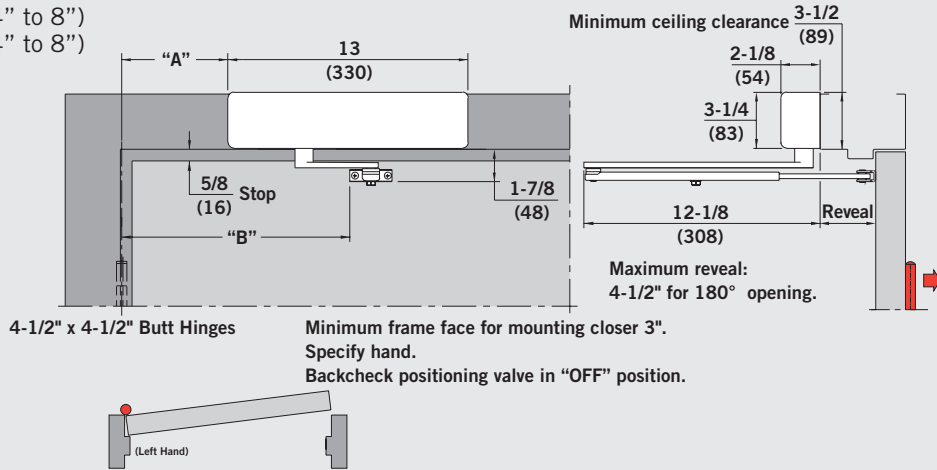
Size Selection Chart

CLOSER	INTERIOR/ EXTERIOR	DOOR WIDTH						MAXIMUM OPENING	APPROX. BACKCHECK*	APPROX. DELAYED ACTION
		2'-0" min.	2'-6" max.	3'-0" max.	3'-6" max.	4'-0" max.	4'-6" max.			
8916	INTERIOR	•	•	⊗	⊗	⊗	⊗	180°	80°-180°	180°-65°
	EXTERIOR	•	•	⊗	⊗	⊗	N/A			
8956	INTERIOR	N/A	N/A	N/A	N/A	•	•			
	EXTERIOR	N/A	N/A	N/A	•	•	•			

* Backcheck is advanced approximately 15° with positioning valve on.

Top Jamb x Flat Form Arm

8916 AF89J (4" to 8")
8956 AF89J (4" to 8")



Size Selection Chart

CLOSER	INTERIOR/ EXTERIOR	DOOR WIDTH						
		2'-0" min.	2'-6" max.	3'-0" max.	3'-6" max.	4'-0" max.	4'-6" max.	5'-0" max.
8916	INTERIOR	•	•	♿	♿	♿	♿	N/A
	EXTERIOR	•	•	♿	♿	♿	N/A	N/A
8956	INTERIOR	N/A	N/A	N/A	N/A	•	•	•
	EXTERIOR	N/A	N/A	N/A	•	•	•	N/A

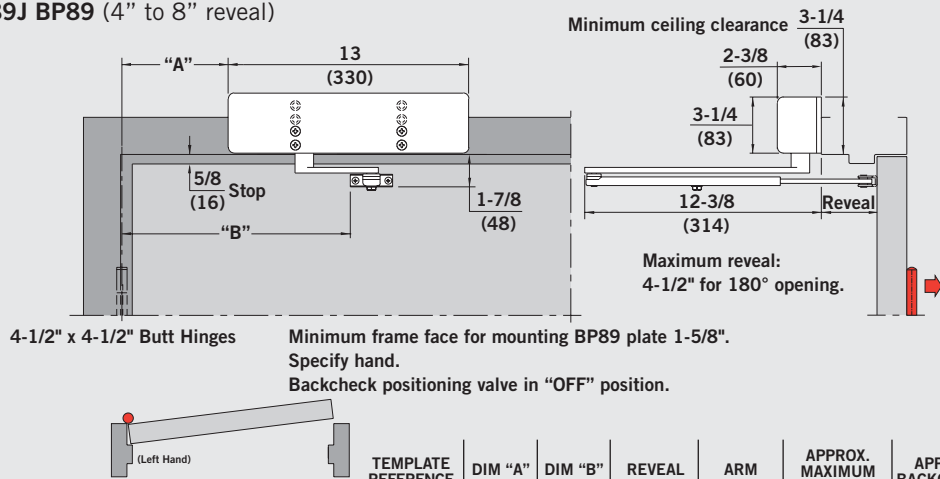
TEMPLATE REFERENCE	DIM "A"	DIM "B"	REVEAL	ARM	APPROX. MAXIMUM OPENING	APPROX. BACKCHECK*	APPROX. DELAYED ACTION
TO 100°	5-3/4" (146)	12-3/8" (314)	0"	AF89	115°	70°-115°	115°-60°
	5-3/4" (146)	12-3/8" (314)	4"	AF89	120°	75°-120°	120°-70°
TO 100°	5-3/4" (146)	12-3/8" (314)	4"	AF89J	120°	75°-120°	120°-70°
	5-3/4" (146)	12-3/8" (314)	8"	AF89J	125°	80°-125°	125°-70°
OVER 100°	1-3/4" (44)	8-3/8" (213)	0"	AF89	180°	85°-180°	180°-80°
	1-3/4" (44)	8-3/8" (213)	4"	AF89	180°	95°-180°	180°-95°
OVER 100°	1-3/4" (44)	8-3/8" (213)	4"	AF89J	180°	95°-180°	180°-95°
	1-3/4" (44)	8-3/8" (213)	8"	AF89J	160°	105°-160°	160°-100°

* Backcheck is advanced approximately 15° with positioning valve on.

Note: Bold type shows standard arm.

Top Jamb x Flat Form Arm x Backplate

8916 AF89J BP89 (4" to 8" reveal)
8956 AF89J BP89 (4" to 8" reveal)



Size Selection Chart

CLOSER	INTERIOR/ EXTERIOR	DOOR WIDTH						
		2'-0" min.	2'-6" max.	3'-0" max.	3'-6" max.	4'-0" max.	4'-6" max.	5'-0" max.
8916	INTERIOR	•	•	♿	♿	♿	♿	N/A
	EXTERIOR	•	•	♿	♿	♿	N/A	N/A
8956	INTERIOR	N/A	N/A	N/A	N/A	•	•	•
	EXTERIOR	N/A	N/A	N/A	•	•	•	N/A

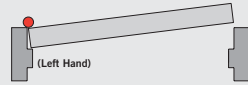
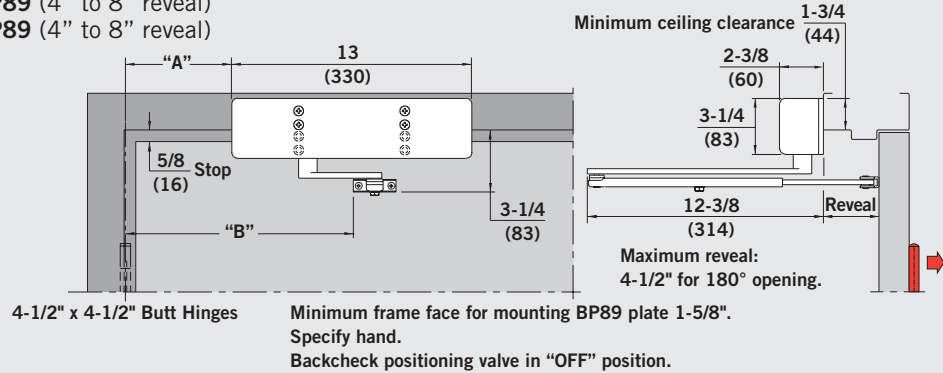
TEMPLATE REFERENCE	DIM "A"	DIM "B"	REVEAL	ARM	APPROX. MAXIMUM OPENING	APPROX. BACKCHECK*	APPROX. DELAYED ACTION
TO 100°	5-3/4" (146)	12-3/8" (314)	0"	AF89	115°	70°-115°	115°-60°
	5-3/4" (146)	12-3/8" (314)	4"	AF89	120°	75°-120°	120°-70°
TO 100°	5-3/4" (146)	12-3/8" (314)	4"	AF89J	120°	75°-120°	120°-70°
	5-3/4" (146)	12-3/8" (314)	8"	AF89J	125°	80°-125°	125°-70°
OVER 100°	1-3/4" (44)	8-3/8" (213)	0"	AF89	180°	85°-180°	180°-80°
	1-3/4" (44)	8-3/8" (213)	4"	AF89	180°	95°-180°	180°-95°
OVER 100°	1-3/4" (44)	8-3/8" (213)	4"	AF89J	180°	95°-180°	180°-95°
	1-3/4" (44)	8-3/8" (213)	8"	AF89J	160°	105°-160°	160°-100°

* Backcheck is advanced approximately 15° with positioning valve on.

Note: Bold type shows standard arm.

Top Jamb Drop x Flat Form Arm x Backplate

8916 AF89J BP89 (4" to 8" reveal)
8956 AF89J BP89 (4" to 8" reveal)



Size Selection Chart

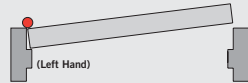
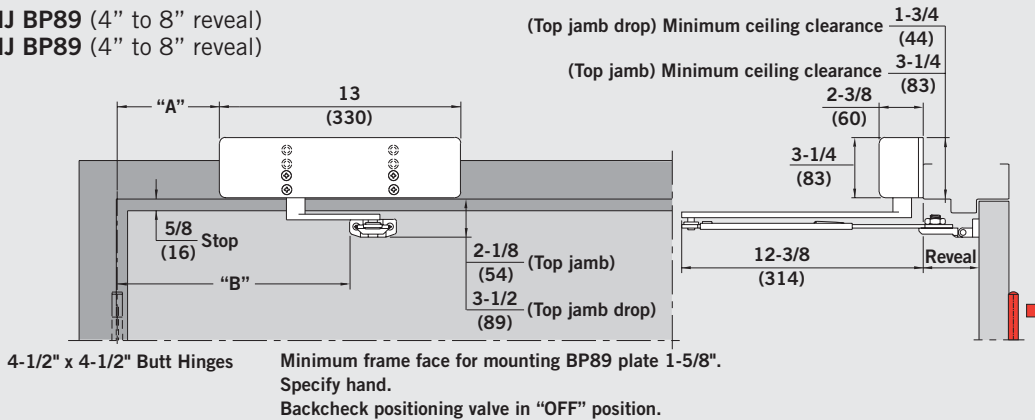
CLOSER	INTERIOR/ EXTERIOR	DOOR WIDTH						
		2'-0" min.	2'-6" max.	3'-0" max.	3'-6" max.	4'-0" max.	4'-6" max.	5'-0" max.
8916	INTERIOR	•	•	⊗	⊗	⊗	⊗	N/A
	EXTERIOR	•	•	⊗	⊗	⊗	N/A	N/A
8956	INTERIOR	N/A	N/A	N/A	N/A	•	•	•
	EXTERIOR	N/A	N/A	N/A	•	•	•	N/A

TEMPLATE REFERENCE	DIM "A"	DIM "B"	REVEAL	ARM	APPROX. MAXIMUM OPENING	APPROX. BACKCHECK*	APPROX. DELAYED ACTION
TO 100°	5-3/4" (146)	12-3/8" (314)	0"	AF89	115°	70°-115°	115°-60°
			4"	AF89	120°	75°-120°	120°-70°
TO 100°	5-3/4" (146)	12-3/8" (314)	4"	AF89J	120°	75°-120°	120°-70°
			8"	AF89J	125°	80°-125°	125°-70°
OVER 100°	1-3/4" (44)	8-3/8" (213)	0"	AF89	180°	85°-180°	180°-80°
			4"	AF89	180°	95°-180°	180°-95°
OVER 100°	1-3/4" (44)	8-3/8" (213)	4"	AF89J	180°	95°-180°	180°-95°
			8"	AF89J	160°	105°-160°	160°-100°

* Backcheck is advanced approximately 15° with positioning valve on.
Note: Bold type shows standard arm.

Top Jamb x Friction Hold Open x Backplate

8916 FHJ BP89 (4" to 8" reveal)
8956 FHJ BP89 (4" to 8" reveal)



Size Selection Chart

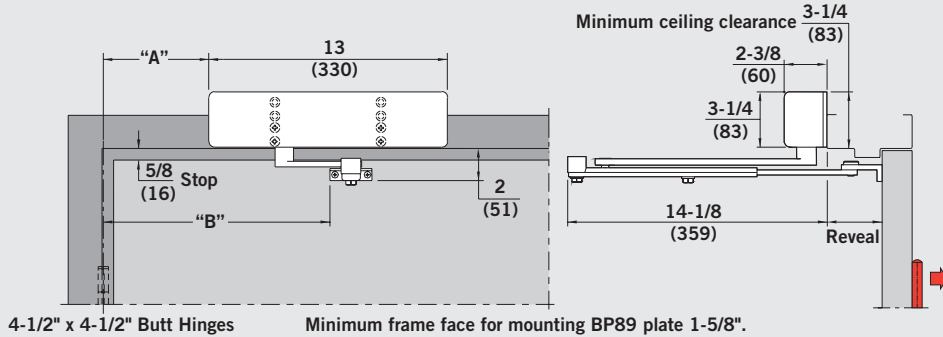
CLOSER	INTERIOR/ EXTERIOR	DOOR WIDTH						
		2'-0" min.	2'-6" max.	3'-0" max.	3'-6" max.	4'-0" max.	4'-6" max.	5'-0" max.
8916	INTERIOR	•	•	⊗	⊗	⊗	⊗	N/A
	EXTERIOR	•	•	⊗	⊗	⊗	N/A	N/A
8956	INTERIOR	N/A	N/A	N/A	N/A	•	•	•
	EXTERIOR	N/A	N/A	N/A	•	•	•	N/A

TEMPLATE REFERENCE	DIM "A"	DIM "B"	REVEAL	ARM	APPROX. MAXIMUM OPENING	APPROX. BACKCHECK*	APPROX. DELAYED ACTION	MIN. HOLD OPEN	MAX. HOLD OPEN
TO 100°	7-3/4" (197)	12-1/2" (318)	0"	FH	103°	70°-105°	105°-65°	70°	100°
			4"	FH	104°	70°-105°	105°-70°	70°	100°
TO 100°	7-3/4" (197)	12-1/2" (318)	3-1/4"	FHJ	104°	65°-105°	105°-65°	70°	100°
			8"	FHJ	104°	70°-105°	105°-70°	70°	100°
OVER 100°	3-1/2" (89)	8-1/4" (210)	0"	FH	180°	85°-180°	180°-85°	70°	170°
			4"	FH	180°	95°-180°	180°-95°	70°	170°
OVER 100°	3-1/2" (89)	8-1/4" (210)	3-1/4"	FHJ	180°	90°-180°	180°-90°	70°	170°
			8"	FHJ	165°	100°-165°	165°-100°	60°	155°

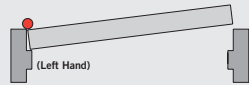
* Backcheck is advanced approximately 15° with positioning valve on.
Note: Bold type shows standard arm.

Top Jamb x Integra Stop Arm x Backplate

8916 ISJ BP89
8956 ISJ BP89



4-1/2" x 4-1/2" Butt Hinges
Minimum frame face for mounting BP89 plate 1-5/8".
Specify hand.
Backcheck positioning valve in "OFF" position.



Size Selection Chart

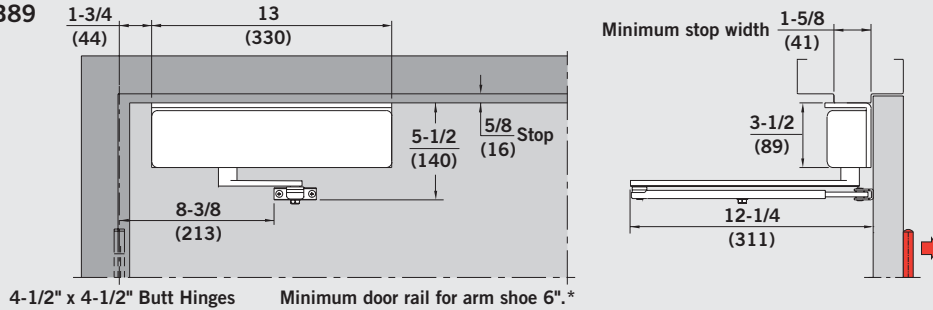
CLOSER	INTERIOR/ EXTERIOR	DOOR WIDTH						
		2'-0" min.	2'-6" max.	3'-0" max.	3'-6" max.	4'-0" max.	4'-6" max.	5'-0" max.
8916	INTERIOR	•	•	♿	♿	♿	♿	N/A
	EXTERIOR	•	•	♿	♿	♿	N/A	N/A
8956	INTERIOR	N/A	N/A	N/A	N/A	•	•	•
	EXTERIOR	N/A	N/A	N/A	•	•	•	N/A

TEMPLATE REFERENCE	DIM "A"	DIM "B"	REVEAL	ARM	DEAD STOP	APPROX. BACKCHECK	APPROX. DELAYED ACTION
85°	7-7/8" (200)	14-3/8" (365)	0"-4"	IS	85°	60°-85°	85°-60°
			4"-6"	ISJ	85°	60°-85°	85°-60°
90°	7-1/4" (184)	13-3/4" (349)	0"-4"	IS	90°	60°-90°	90°-60°
			4"-6"	ISJ	90°	60°-90°	90°-60°
95°	6-3/4" (171)	13-1/4" (337)	0"-4"	IS	95°	65°-95°	95°-65°
			4"-6"	ISJ	95°	65°-95°	95°-65°
100°	6-1/4" (159)	12-3/4" (324)	0"-4"	IS	100°	65°-100°	100°-65°
			4"-6"	ISJ	100°	70°-100°	100°-70°
105°	6" (152)	12-1/2" (318)	0"-4"	IS	105°	70°-105°	105°-70°
			4"-6"	ISJ	105°	70°-105°	105°-70°
110°	5-3/4" (146)	12-1/4" (311)	0"-4"	IS	110°	70°-110°	110°-70°
			4"-6"	ISJ	110°	70°-110°	110°-70°

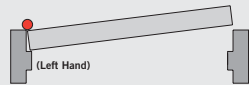
* Backcheck is advanced approximately 15° with positioning valve on.
Note: Bold type shows standard arm.

Top Jamb x Flat Form Arm x Angle Bracket

8916 AF89 AB89
8956 AF89 AB89



4-1/2" x 4-1/2" Butt Hinges
Minimum door rail for arm shoe 6".*
Specify hand.
Backcheck positioning valve in "OFF" position.
* Based on 5/8" stop.



Size Selection Chart

CLOSER	INTERIOR/ EXTERIOR	DOOR WIDTH						
		2'-0" min.	2'-6" max.	3'-0" max.	3'-6" max.	4'-0" max.	4'-6" max.	5'-0" max.
8916	INTERIOR	•	•	♿	♿	♿	♿	N/A
	EXTERIOR	•	•	♿	♿	♿	N/A	N/A
8956	INTERIOR	N/A	N/A	N/A	N/A	•	•	•
	EXTERIOR	N/A	N/A	N/A	•	•	•	N/A

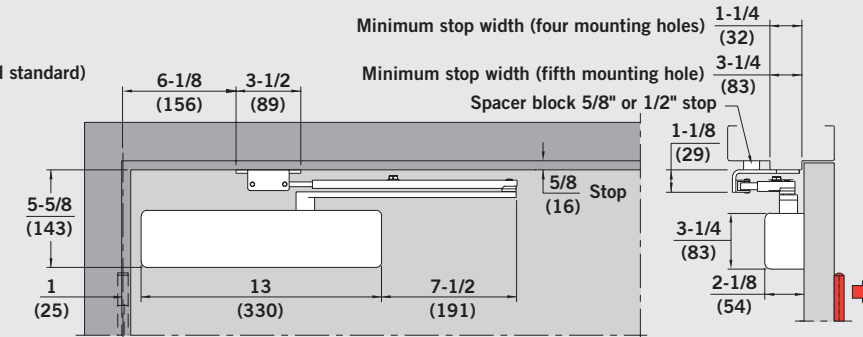
MAXIMUM OPENING	APPROX. BACKCHECK*	APPROX. DELAYED ACTION
180°	70°-180°	180°-80°

* Backcheck is advanced approximately 15° with positioning valve on.

Parallel Arm x Flat Form Arm

8916 AF89P
8956 AF89P

(P89 bracket furnished standard)



4-1/2" x 4-1/2" Butt Hinges
Minimum door rail for mounting closer 5-3/4".*
Minimum door rail to bottom of cover 6-1/8".*
Backcheck positioning valve in "ON" position.
* Based on 5/8" stop.



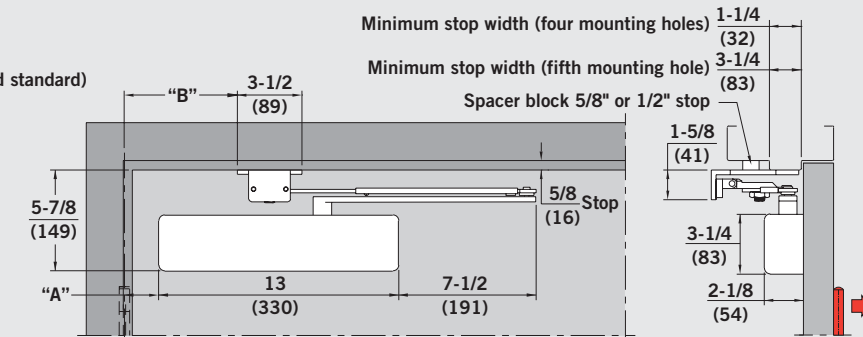
Size Selection Chart

CLOSER	INTERIOR/ EXTERIOR	DOOR WIDTH						MAXIMUM OPENING	APPROX. BACKCHECK	APPROX. DELAYED ACTION	MINIMUM DOOR WIDTH
		2'-0" min.	2'-6" max.	3'-0" max.	3'-6" max.	4'-0" max.	4'-6" max.				
8916	INTERIOR	•	•	♿	♿	♿	N/A	180°	60°-180°	180°-70°	24"
	EXTERIOR	•	•	♿	♿	N/A	N/A				
8956	INTERIOR	N/A	N/A	N/A	•	•	•	180°	60°-180°	180°-70°	24"
	EXTERIOR	N/A	N/A	•	•	•	N/A				

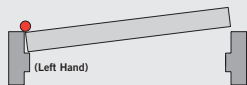
Parallel Arm x Friction Hold Open

8916 FHP
8956 FHP

(PHB bracket furnished standard)



4-1/2" x 4-1/2" Butt Hinges
Minimum door rail for mounting closer 6-1/8".*
Minimum door rail to bottom of cover 6-3/8".*
Backcheck positioning valve in "ON" position.
* Based on 5/8" stop.

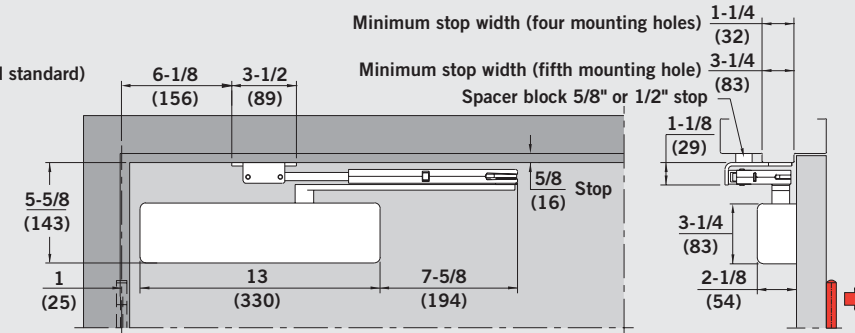


Size Selection Chart

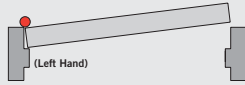
CLOSER	INTERIOR/ EXTERIOR	DOOR WIDTH						TEMPLATE REFERENCE	DIM "A"	DIM "B"	APPROX. MAXIMUM OPENING	APPROX. BACKCHECK	APPROX. DELAYED ACTION	MIN. HOLD OPEN	MAX. HOLD OPEN	MIN. DOOR WIDTH
		2'-0" min.	2'-6" max.	3'-0" max.	3'-6" max.	4'-0" max.	4'-6" max.									
8916	INTERIOR	•	•	♿	♿	♿	N/A	TO 100°	5-5/8" (143)	10-1/2" (267)	110°	65°-110°	110°-65°	45°	105°	29"
	EXTERIOR	•	•	♿	♿	N/A	N/A									
8956	INTERIOR	N/A	N/A	N/A	•	•	•	OVER 100°	1-1/4" (32)	6-1/8" (156)	180°	60°-180°	180°-70°	45°	175°	24"
	EXTERIOR	N/A	N/A	•	•	•	N/A									

Parallel Arm x Plunger Hold Open

8916 PHP
8956 PHP
(P89 bracket furnished standard)



Minimum door rail for mounting closer 5-7/8".*
Minimum door rail to bottom of cover 6-1/8".*
Backcheck positioning valve in "ON" position.
* Based on 5/8" stop.

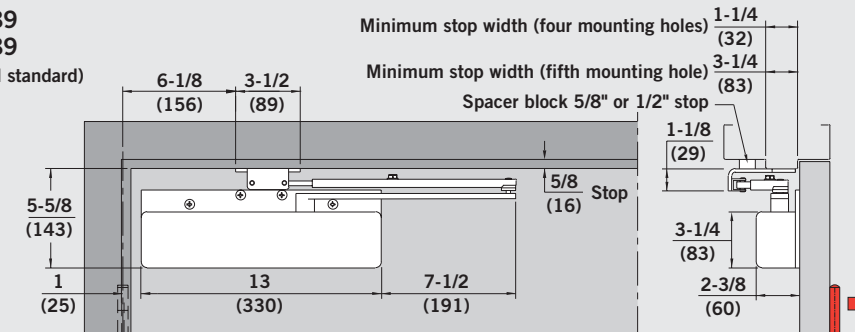


Size Selection Chart

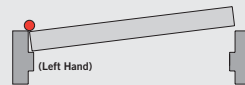
CLOSER	INTERIOR/ EXTERIOR	DOOR WIDTH					MAXIMUM OPENING	APPROX. BACKCHECK	APPROX. DELAYED ACTION	MINIMUM HOLD OPEN	MAXIMUM HOLD OPEN	MINIMUM DOOR WIDTH	
		2'-0" min.	2'-6" max.	3'-0" max.	3'-6" max.	4'-0" max.							4'-6" max.
8916	INTERIOR	•	•	♿	♿	♿	N/A	180°	60°-180°	180°-75°	30°	130°	24"
	EXTERIOR	•	•	♿	♿	N/A	N/A						
8956	INTERIOR	N/A	N/A	N/A	•	•	•	180°	60°-180°	180°-75°	30°	130°	24"
	EXTERIOR	N/A	N/A	•	•	•	N/A						

Parallel Arm x Flat Form Arm x Drop Plate

8916 AF89P DP89
8956 AF89P DP89
(P89 bracket furnished standard)



Minimum door rail for mounting DP89 plate 2-7/8".*
Minimum door rail to bottom of cover/plate 6-1/8".*
Backcheck positioning valve in "ON" position.
* Based on 5/8" stop.

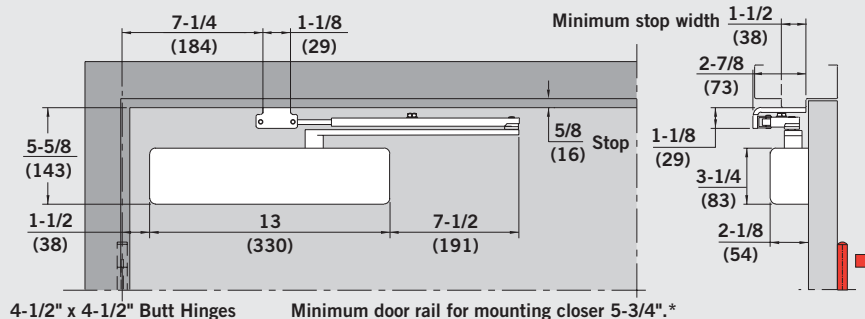


Size Selection Chart

CLOSER	INTERIOR/ EXTERIOR	DOOR WIDTH					MAXIMUM OPENING	APPROX. BACKCHECK	APPROX. DELAYED ACTION	MINIMUM DOOR WIDTH	
		2'-0" min.	2'-6" max.	3'-0" max.	3'-6" max.	4'-0" max.					4'-6" max.
8916	INTERIOR	•	•	♿	♿	♿	N/A	180°	60°-180°	180°-70°	24"
	EXTERIOR	•	•	♿	♿	N/A	N/A				
8956	INTERIOR	N/A	N/A	N/A	•	•	•	180°	60°-180°	180°-70°	24"
	EXTERIOR	N/A	N/A	•	•	•	N/A				

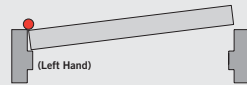
Parallel Arm x Flat Form Arm x Mortised Jamb Bracket

8916 AF8MJ
8956 AF8MJ



4-1/2" x 4-1/2" Butt Hinges

Minimum door rail for mounting closer 5-3/4".*
Minimum door rail to bottom of cover 6-1/8".*
Backcheck positioning valve in "ON" position.
* Based on 5/8" stop.

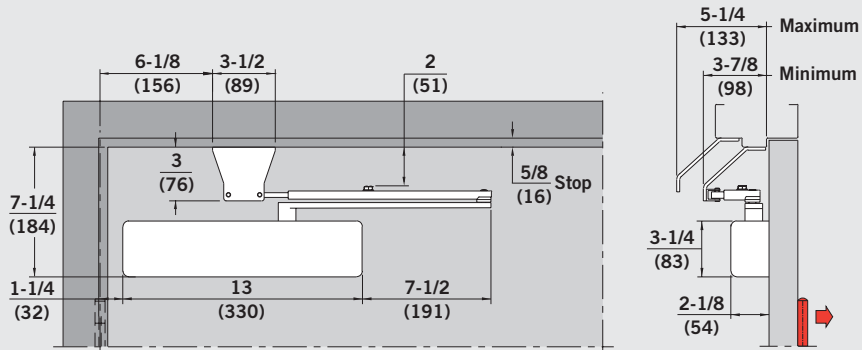


Size Selection Chart

CLOSER	INTERIOR/ EXTERIOR	DOOR WIDTH						MAXIMUM OPENING	APPROX. BACKCHECK	APPROX. DELAYED ACTION	MINIMUM DOOR WIDTH
		2'-0" min.	2'-6" max.	3'-0" max.	3'-6" max.	4'-0" max.	4'-6" max.				
8916	INTERIOR	•	•	♿	♿	♿	N/A	180°	65°-180°	180°-70°	24"
	EXTERIOR	•	•	♿	♿	N/A	N/A				
8956	INTERIOR	N/A	N/A	N/A	•	•	•	180°	70°-180°	180°-70°	24"
	EXTERIOR	N/A	N/A	•	•	•	N/A				

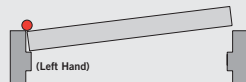
Parallel Arm x Flat Form Arm x Parallel Drop Bracket

8916 AF89 PD
8956 AF89 PD



4-1/2" x 4-1/2" Butt Hinges

Minimum door rail for mounting closer 7-3/8".*
Minimum door rail to bottom of cover 7-3/4".*
Backcheck positioning valve in "ON" position.
* Based on 5/8" stop.

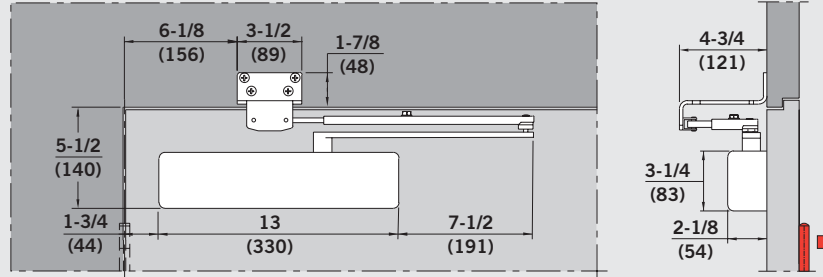


Size Selection Chart

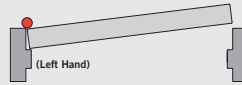
CLOSER	INTERIOR/ EXTERIOR	DOOR WIDTH						MAXIMUM OPENING	APPROX. BACKCHECK	APPROX. DELAYED ACTION	MINIMUM DOOR WIDTH
		2'-0" min.	2'-6" max.	3'-0" max.	3'-6" max.	4'-0" max.	4'-6" max.				
8916	INTERIOR	•	•	♿	♿	♿	N/A	180°	70°-180°	180°-70°	24"
	EXTERIOR	•	•	♿	♿	N/A	N/A				
8956	INTERIOR	N/A	N/A	N/A	•	•	•	180°	70°-180°	180°-70°	24"
	EXTERIOR	N/A	N/A	•	•	•	N/A				

Parallel Arm x Flat Form Arm x Parallel Flush Transom Bracket

8916 AF89 PFT
8956 AF89 PFT



4-1/2" x 4-1/2" Butt Hinges Minimum door rail for mounting closer 5-1/8".
Minimum door rail to bottom of cover 5-3/8".
Backcheck positioning valve in "ON" position.

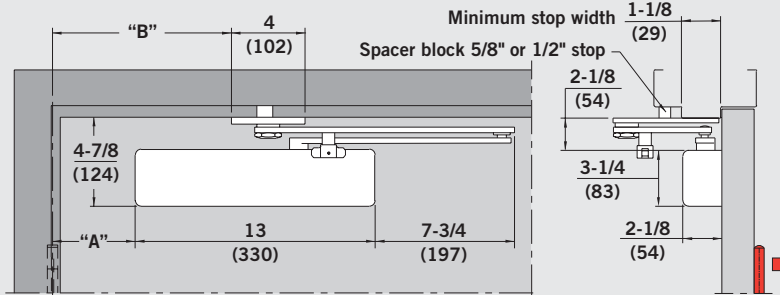


Size Selection Chart

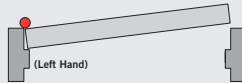
CLOSER	INTERIOR/ EXTERIOR	DOOR WIDTH					MAXIMUM OPENING	APPROX. BACKCHECK	APPROX. DELAYED ACTION	MINIMUM DOOR WIDTH	
		2'-0" min.	2'-6" max.	3'-0" max.	3'-6" max.	4'-0" max.					4'-6" max.
8916	INTERIOR	•	•	⊘	⊘	⊘	N/A	180°	60°-180°	180°-70°	24"
	EXTERIOR	•	•	⊘	⊘	N/A	N/A				
8956	INTERIOR	N/A	N/A	N/A	•	•	•	180°	60°-180°	180°-70°	24"
	EXTERIOR	N/A	N/A	•	•	•	N/A				

Heavy-Duty Super Parallel Arm

8916 SPA/SPAT/SPA
8956 SPA/SPAT/SPA



4-1/2" x 4-1/2" Butt Hinges Minimum door rail for mounting closer 5".*
Minimum door rail to bottom of cover 5-3/8".*
Backcheck positioning valve in "ON" position.
* Based on 5/8" stop.



Size Selection Chart

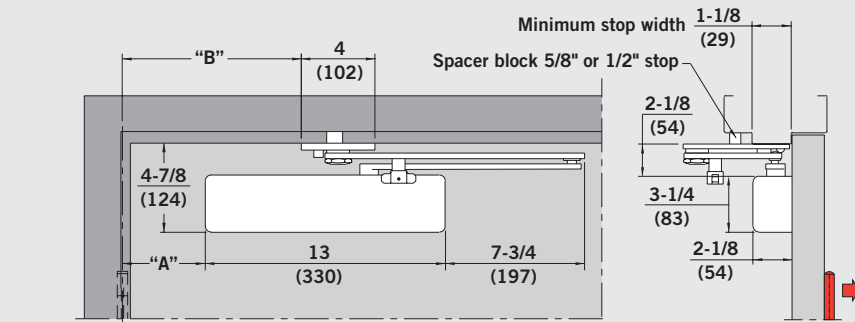
CLOSER	INTERIOR/ EXTERIOR	DOOR WIDTH					ANGLE OF OPENING/ HOLD OPEN	DIM "A" CLOSER	DIM "B" SOFFIT PLATE	APPROX. MAXIMUM OPENING	APPROX. BACKCHECK	APPROX. DELAYED ACTION	MINIMUM DOOR WIDTH	
		2'-0" min.	2'-6" max.	3'-0" max.	3'-6" max.	4'-0" max.								4'-6" max.
8916	INTERIOR	•	•	⊘	⊘	⊘	N/A	TO 100° H.O. 90°	4-1/2" (114)	9-3/8" (238)	100°	60°-100°	100°-65°	26"
	EXTERIOR	•	•	⊘	⊘	N/A	N/A							
8956	INTERIOR	N/A	N/A	N/A	•	•	•	TO 180° H.O. 125°	7/8" (22)	6-1/4" (159)	180°	70°-180°	180°-75°	23"
	EXTERIOR	N/A	N/A	•	•	•	N/A							

(ABP) Advanced Backcheck Position

CLOSER	INTERIOR/ EXTERIOR	DOOR WIDTH					ANGLE OF OPENING/ HOLD OPEN	DIM "A" CLOSER	DIM "B" SOFFIT PLATE	APPROX. MAXIMUM OPENING	APPROX. BACKCHECK	APPROX. DELAYED ACTION	MINIMUM DOOR WIDTH	
		2'-0" min.	2'-6" max.	3'-0" max.	3'-6" max.	4'-0" max.								4'-6" max.
8916	INTERIOR	•	•	⊘	⊘	⊘	N/A	TO 100° H.O. 90°	4-3/4" (121)	9-7/8" (251)	100°	45°-100°	100°-70°	28"
	EXTERIOR	•	•	⊘	⊘	N/A	N/A							

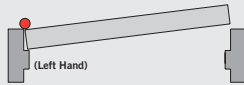
Heavy-Duty Parallel Arm Door Saver x Dead Stop

8916 DS/DST/DSK
8956 DS/DST/DSK



4-1/2" x 4-1/2" Butt Hinges

Minimum door rail for mounting closer 5".*
Minimum door rail to bottom of cover 5-3/8".*
Backcheck positioning valve in "ON" position.
* Based on 5/8" stop.



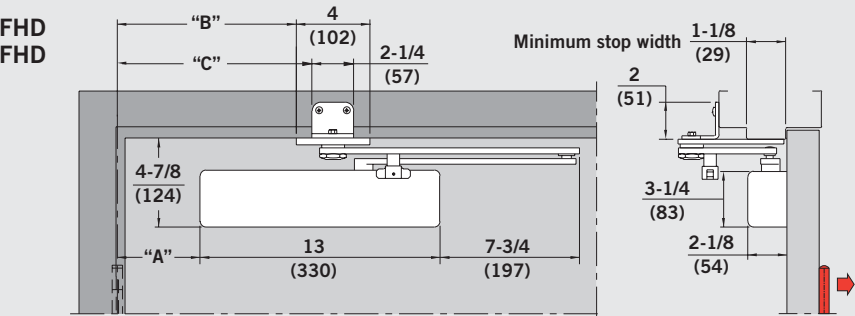
Size Selection Chart

CLOSER	INTERIOR/ EXTERIOR	DOOR WIDTH						TEMPLATE REFERENCE	DIM "A" CLOSER	DIM "B" SOFFIT PLATE	DEAD STOP/ HOLD OPEN	APPROX. BACKCHECK	APPROX. DELAYED ACTION	MINIMUM DOOR WIDTH
		2'-0" min.	2'-6" max.	3'-0" max.	3'-6" max.	4'-0" max.	4'-6" max.							
8916	INTERIOR	•	•	♿	♿	♿	N/A	85°	4-3/8" (111)	10-5/8" (270)	85°	50°-85°	85°-60°	26"
	EXTERIOR	•	•	♿	♿	N/A	N/A	90°	3-1/2" (89)	9-3/4" (248)	90°	55°-90°	90°-60°	25"
8956	INTERIOR	N/A	N/A	N/A	•	•	•	100°	2-3/8" (60)	8-5/8" (219)	100°	60°-100°	100°-65°	24"
	EXTERIOR	N/A	N/A	•	•	•	N/A	110°	1-1/4" (32)	7-1/2" (191)	110°	65°-110°	110°-70°	23"

* Hold Open is approximately 1°-2° less than the dead stop angle listed in the chart.

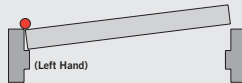
Heavy-Duty Super Parallel Arm x Narrow Frame Bracket

8916 SPA/SPAT/SPAK NFHD
8956 SPA/SPAT/SPAK NFHD



4-1/2" x 4-1/2" Butt Hinges

Minimum door rail for mounting closer 5".*
Minimum door rail to bottom of cover 5-3/8".*
Backcheck positioning valve in "ON" position.
* Based on 5/8" stop.

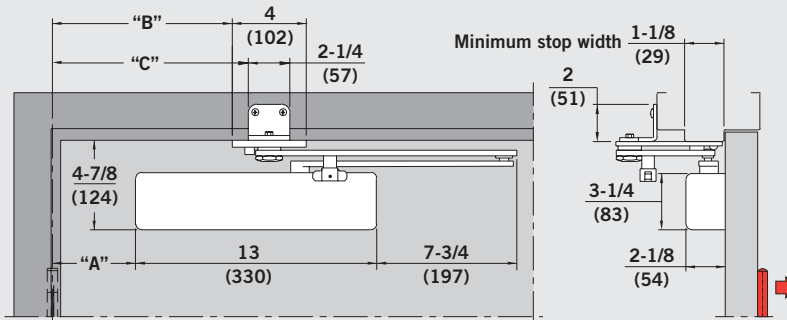


Size Selection Chart

CLOSER	INTERIOR/ EXTERIOR	DOOR WIDTH						ANGLE OF OPENING/ HOLD OPEN	DIM "A" CLOSER	DIM "B" SOFFIT PLATE	DIM "C" (NF101) BRACKET	APPROX. MAXIMUM OPENING	APPROX. BACKCHECK	APPROX. DELAYED ACTION	MINIMUM DOOR WIDTH
		2'-0" min.	2'-6" max.	3'-0" max.	3'-6" max.	4'-0" max.	4'-6" max.								
8916	INTERIOR	•	•	♿	♿	♿	N/A	TO 100° H.O. 90°	4-1/2" (114)	9-3/8" (238)	10-1/4" (260)	100°	60°-100°	100°-65°	26"
	EXTERIOR	•	•	♿	♿	N/A	N/A	TO 180° H.O. 125°	7/8" (22)	6-1/4" (159)	7-1/8" (181)	180°	70°-180°	180°-75°	23"
(ABP) Advanced Backcheck Position															
8956	INTERIOR	N/A	N/A	N/A	•	•	•	ANGLE OF OPENING/ HOLD OPEN	DIM "A" CLOSER	DIM "B" SOFFIT PLATE	APPROX. MAXIMUM OPENING	APPROX. BACKCHECK	APPROX. DELAYED ACTION	MINIMUM DOOR WIDTH	
	EXTERIOR	N/A	N/A	•	•	•	N/A	TO 100° H.O. 90°	4-3/4" (121)	9-7/8" (251)	100°	45°-100°	100°-70°	28"	

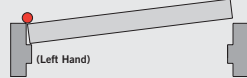
Heavy-Duty Parallel Arm Door Saver x Dead Stop x Narrow Frame Bracket

8916 DS/DST/DSK NFHD
8956 DS/DST/DSK NFHD



4-1/2" x 4-1/2" Butt Hinges

Minimum door rail for mounting closer 5".*
Minimum door rail to bottom of cover 5-3/8".*
Backcheck positioning valve in "ON" position.
* Based on 5/8" stop.



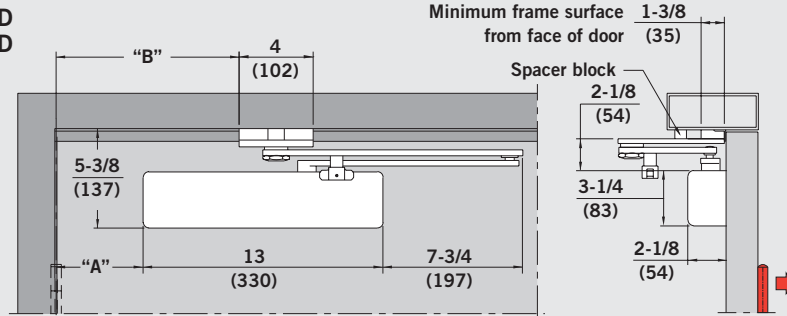
Size Selection Chart

CLOSER	INTERIOR/ EXTERIOR	DOOR WIDTH						TEMPLATE REFERENCE	DIM "A" CLOSER	DIM "B" SOFFIT PLATE	DIM "C" (NF101) BRACKET	* DEAD STOP/ HOLD OPEN	APPROX. BACKCHECK	APPROX. DELAYED ACTION	MINIMUM DOOR WIDTH
		2'-0" min.	2'-6" max.	3'-0" max.	3'-6" max.	4'-0" max.	4'-6" max.								
8916	INTERIOR	•	•	♿	♿	♿	N/A	85°	4-3/8" (111)	10-5/8" (270)	11-1/2" (292)	85°	50°-85°	85°-60°	26"
	EXTERIOR	•	•	♿	♿	N/A	N/A	90°	3-1/2" (89)	9-3/4" (248)	10-5/8" (270)	90°	55°-90°	90°-60°	25"
8956	INTERIOR	N/A	N/A	N/A	•	•	•	100°	2-3/8" (60)	8-5/8" (219)	9-1/2" (241)	100°	60°-100°	100°-65°	24"
	EXTERIOR	N/A	N/A	•	•	•	N/A	110°	1-1/4" (32)	7-1/2" (191)	8-3/8" (213)	110°	65°-110°	110°-70°	23"

*Hold open is approximately 1°-2° less than the dead stop angle listed in the chart.

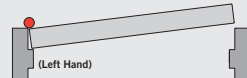
Heavy-Duty Super Parallel Arm x Blade Stop Spacer

8916 SPA/SPAT/SPAK BSHD
8956 SPA/SPAT/SPAK BSHD



4-1/2" x 4-1/2" Butt Hinges

Minimum door rail for mounting closer 5".*
Minimum door rail to bottom of cover 5-3/8".*
Backcheck positioning valve in "ON" position.
* Based on 5/8" stop.

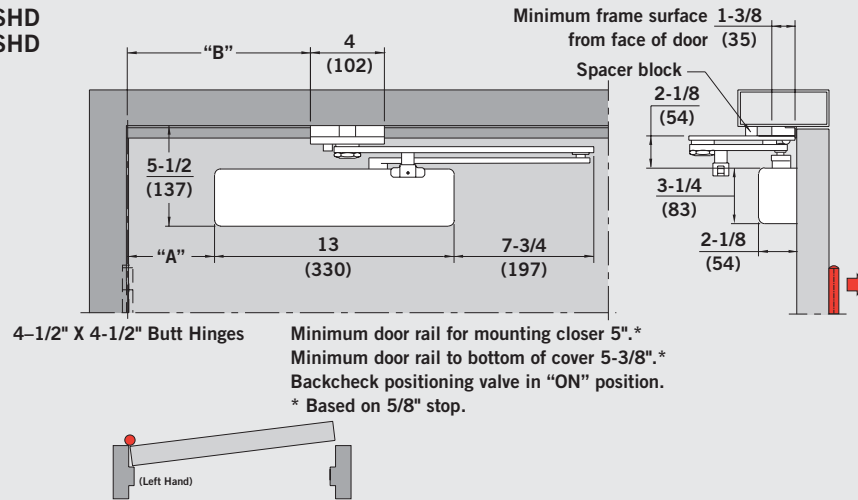


Size Selection Chart

CLOSER	INTERIOR/ EXTERIOR	DOOR WIDTH						ANGLE OF OPENING/ HOLD OPEN	DIM "A" CLOSER	DIM "B" SOFFIT PLATE	APPROX. MAXIMUM OPENING	APPROX. BACKCHECK	APPROX. DELAYED ACTION	MINIMUM DOOR WIDTH
		2'-0" min.	2'-6" max.	3'-0" max.	3'-6" max.	4'-0" max.	4'-6" max.							
8916	INTERIOR	•	•	♿	♿	♿	N/A	TO 100° H.O. 90°	4-1/2" (114)	9-3/8" (238)	100°	60°-100°	100°-65°	26"
	EXTERIOR	•	•	♿	♿	N/A	N/A	TO 180° H.O. 125°	7/8" (22)	6-1/4" (159)	180°	70°-180°	180°-75°	23"
(ABP) Advanced Backcheck Position														
8956	INTERIOR	N/A	N/A	N/A	•	•	•	TO 100° H.O. 90°	4-3/4" (121)	9-7/8" (251)	100°	45°-100°	100°-70°	28"
	EXTERIOR	N/A	N/A	•	•	•	N/A							

Heavy-Duty Parallel Arm Door Saver x Dead Stop and Blade Stop Spacer

8916 DS/DST/DSK BSHD
8956 DS/DST/DSK BSHD



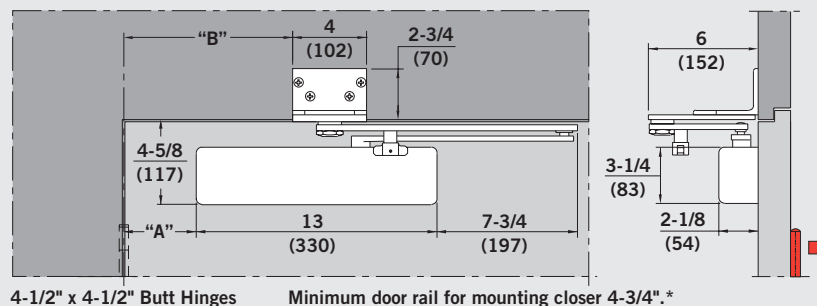
Size Selection Chart

CLOSER	INTERIOR/ EXTERIOR	DOOR WIDTH						TEMPLATE REFERENCE	DIM "A" CLOSER	DIM "B" SOFFIT PLATE	* DEAD STOP/ HOLD OPEN	APPROX. BACKCHECK	APPROX. DELAYED ACTION	MINIMUM DOOR WIDTH
		2'-0" min.	2'-6" max.	3'-0" max.	3'-6" max.	4'-0" max.	4'-6" max.							
8916	INTERIOR	•	•	♿	♿	♿	N/A	85°	4-3/8" (111)	10-5/8" (270)	85°	50°-85°	85°-60°	26"
	EXTERIOR	•	•	♿	♿	N/A	N/A	90°	3-1/2" (89)	9-3/4" (248)	90°	55°-90°	90°-60°	25"
8956	INTERIOR	N/A	N/A	N/A	•	•	•	100°	2-3/8" (60)	8-5/8" (219)	100°	60°-100°	100°-65°	24"
	EXTERIOR	N/A	N/A	•	•	•	N/A	110°	1-1/4" (32)	7-1/2" (191)	110°	65°-110°	110°-70°	23"

* Hold Open is approximately 1°-2° less than the dead stop angle listed in the chart.

Heavy-Duty Super Parallel Arm x Flush Transom Bracket

8916 SPA/SPAT/SPAK
FTHD
8956 SPA/SPAT/SPAK
FTHD

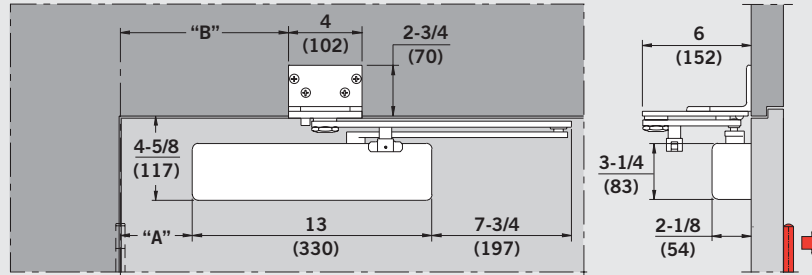


Size Selection Chart

CLOSER	INTERIOR/ EXTERIOR	DOOR WIDTH						ANGLE OF OPENING/ HOLD OPEN	DIM "A" CLOSER	DIM "B" (F102) BRACKET	APPROX. MAXIMUM OPENING	APPROX. BACKCHECK	APPROX. DELAYED ACTION	MINIMUM DOOR WIDTH
		2'-0" min.	2'-6" max.	3'-0" max.	3'-6" max.	4'-0" max.	4'-6" max.							
8916	INTERIOR	•	•	♿	♿	♿	N/A	TO 100° H.O. 90°	4-1/2" (114)	9-3/8" (238)	100°	60°-100°	100°-65°	26"
	EXTERIOR	•	•	♿	♿	N/A	N/A	TO 180° H.O. 125°	7/8" (22)	6-1/4" (159)	180°	70°-180°	180°-75°	23"
8956	INTERIOR	N/A	N/A	N/A	•	•	•	(ABP) Advanced Backcheck Position						
	EXTERIOR	N/A	N/A	•	•	•	N/A	TO 100° H.O. 90	4-3/4" (121)	9-7/8" (251)	100°	45°-100°	100°-70°	28"

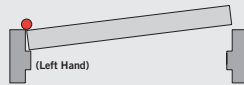
Heavy-Duty Parallel Arm Door Saver x Dead Stop x Flush Transom Bracket

8916 DS/DST/DSK FTHD
8956 DS/DST/DSK FTHD



4-1/2" x 4-1/2" Butt Hinges

Minimum door rail for mounting closer 4-3/4".*
Minimum door rail to bottom of cover 5-1/8".*
Backcheck positioning valve in "ON" position.
* Based on 5/8" stop.



Size Selection Chart

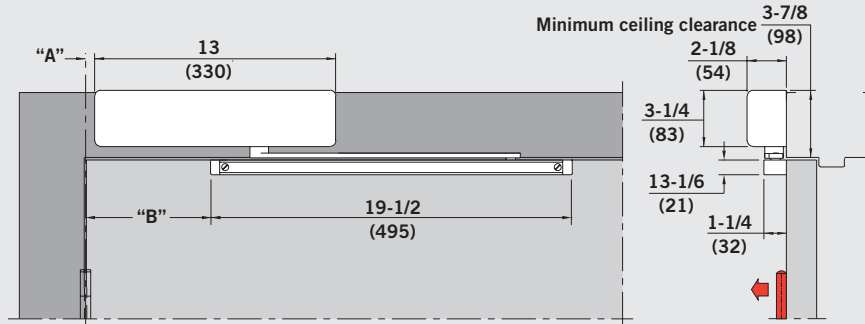
CLOSER	INTERIOR/ EXTERIOR	DOOR WIDTH					
		2'-0" min.	2'-6" max.	3'-0" max.	3'-6" max.	4'-0" max.	4'-6" max.
8916	INTERIOR	•	•	♿	♿	♿	N/A
	EXTERIOR	•	•	♿	♿	N/A	N/A
8956	INTERIOR	N/A	N/A	N/A	•	•	•
	EXTERIOR	N/A	N/A	•	•	•	N/A

TEMPLATE REFERENCE	DIM "A" CLOSER	DIM "B" (FT102) BRACKET	* DEAD STOP/HOLD OPEN	APPROX. BACKCHECK	APPROX. DELAYED ACTION	MINIMUM DOOR WIDTH
85°	4-3/8" (111)	10-5/8" (270)	85°	50°-85°	85°-60°	26"
90°	3-1/2" (89)	9-3/4" (248)	90°	55°-90°	90°-60°	25"
100°	2-3/8" (60)	8-5/8" (219)	100°	60°-100°	100°-65°	24"
110°	1-1/4" (32)	7-1/2" (191)	110°	65°-110°	110°-70°	23"

* Hold Open is approximately 1°-2° less than the dead stop angle listed in the chart.

Track - Pull Side Door Mounted

8916 T
8916 TH
8956 T
8956 TH



4-1/2" x 4-1/2" Butt Hinges

Minimum frame face for closer 3-1/2".
Specify hand.
Backcheck positioning valve in "OFF" position.



Size Selection Chart

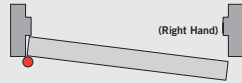
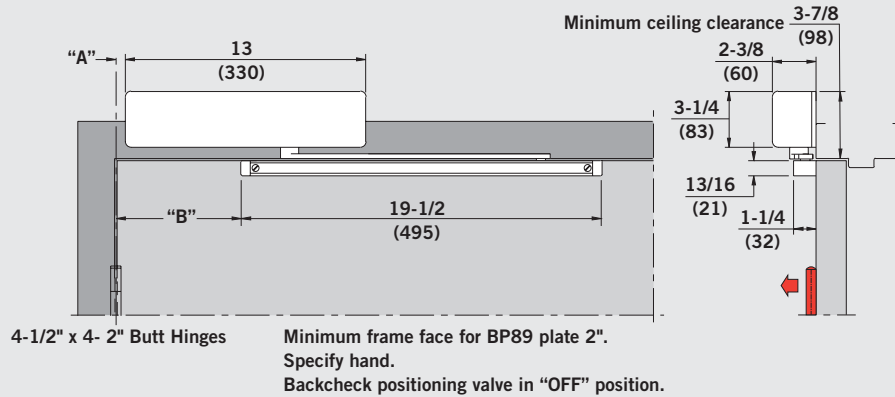
CLOSER	INTERIOR/ EXTERIOR	DOOR WIDTH				
		2'-0" min.	2'-6" max.	3'-0" max.	3'-6" max.	4'-0" max.
8916	INTERIOR	•	•	♿	♿	N/A
	EXTERIOR	•	•	♿	N/A	N/A
8956	INTERIOR	N/A	N/A	•	•	•
	EXTERIOR	N/A	•	•	•	N/A

TEMPLATE REFERENCE	DIM "A"	DIM "B"	DEAD STOP	MAXIMUM HOLD OPEN	APPROX. BACKCHECK*	APPROX. DELAYED ACTION	MINIMUM DOOR WIDTH
85°	1/2" (13)	9-3/4" (248)	85°	80°	70°-85°	85°-60°	31"
90°	1/2" (13)	9" (229)	90°	85°	70°-90°	90°-60°	30"
110°	1/2" (13)	6-1/4" (159)	110°	105°	70°-110°	110°-60°	27"
180°	3/4" (19)	4" (102)	180°	160°	75°-180°	180°-65°	25"

* Backcheck is advanced approximately 15° with positioning valve on.

Track - Pull Side Door Mounted x Backplate

8916 T BP89
8916 TH BP89
8956 T BP89
8956 TH BP89



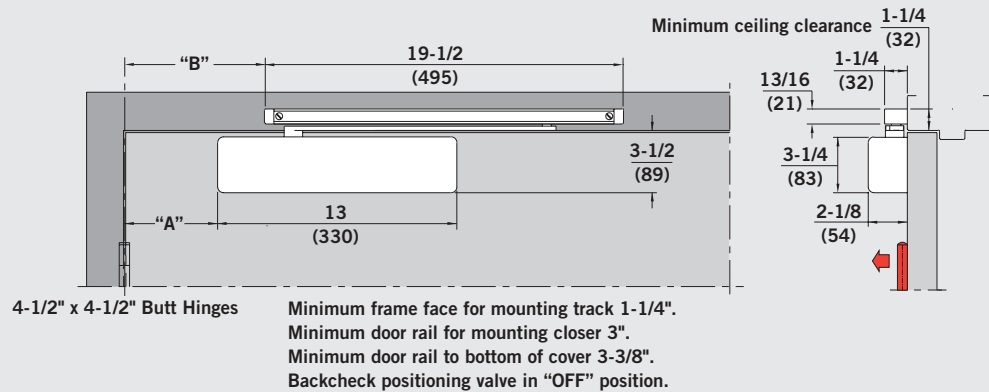
Size Selection Chart

CLOSER	INTERIOR/ EXTERIOR	DOOR WIDTH					TEMPLATE REFERENCE	DIM "A"	DIM "B"	DEAD STOP	MAXIMUM HOLD OPEN	APPROX. BACKCHECK*	APPROX. DELAYED ACTION	MINIMUM DOOR WIDTH
		2'-0" min.	2'-6" max.	3'-0" max.	3'-6" max.	4'-0" max.								
8916	INTERIOR	•	•	•	•	N/A	85°	1/2" (13)	9-3/4" (248)	85°	80°	70°-85°	85°-60°	31"
	EXTERIOR	•	•	•	•	N/A	90°	1/2" (13)	9" (229)	90°	85°	70°-90°	90°-60°	30"
8956	INTERIOR	N/A	N/A	•	•	•	110°	1/2" (13)	6-1/4" (159)	110°	105°	70°-110°	110°-60°	27"
	EXTERIOR	N/A	•	•	•	N/A	180°	3/4" (19)	4" (102)	180°	160°	75°-180°	180°-65°	25"

* Backcheck is advanced approximately 15° with positioning valve on.

Jamb Track - Pull Side Frame Mounted

8916 JT
8916 JTH
8956 JT
8956 JTH



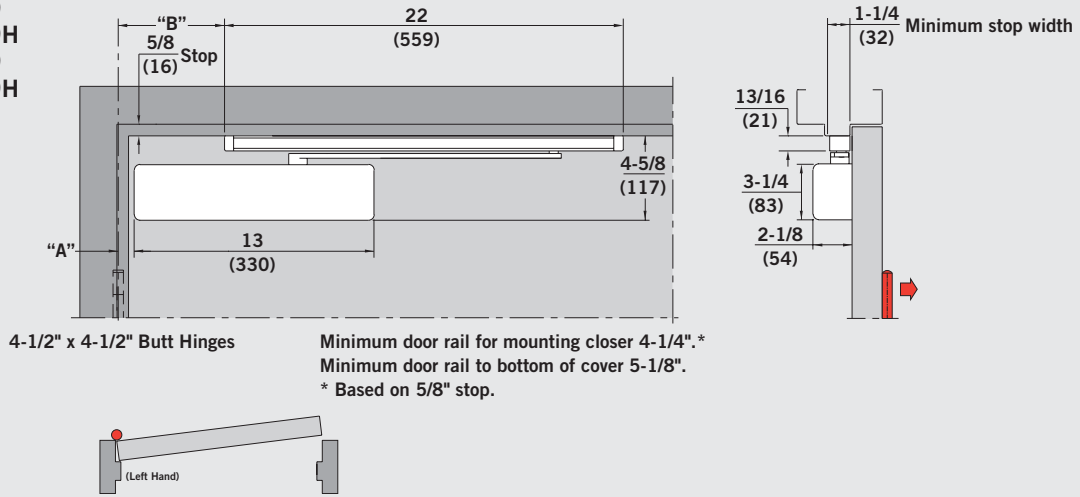
Size Selection Chart

CLOSER	INTERIOR/ EXTERIOR	DOOR WIDTH					TEMPLATE REFERENCE	DIM "A"	DIM "B"	DEAD STOP	MAXIMUM HOLD OPEN	APPROX. BACKCHECK*	APPROX. DELAYED ACTION	MINIMUM DOOR WIDTH
		2'-0" min.	2'-6" max.	3'-0" max.	3'-6" max.	4'-0" max.								
8916	INTERIOR	•	•	•	•	N/A	85°	3-1/2" (89)	9-3/4" (248)	85°	80°	75°-85°	85°-65°	31"
	EXTERIOR	•	•	•	•	N/A	90°	3-1/2" (89)	9" (229)	90°	85°	75°-90°	90°-65°	30"
8956	INTERIOR	N/A	N/A	•	•	•	110°	3-1/2" (89)	7" (178)	110°	100°	75°-110°	110°-65°	28"
	EXTERIOR	N/A	•	•	•	N/A	175°	3-1/2" (89)	4" (102)	178°	145°	75°-180°	178°-65°	25"

* Backcheck is advanced approximately 15° with positioning valve on.

Push Track - Push Side Soffit Mounted

8916 PT89
8916 PT89H
8956 PT89
8956 PT89H



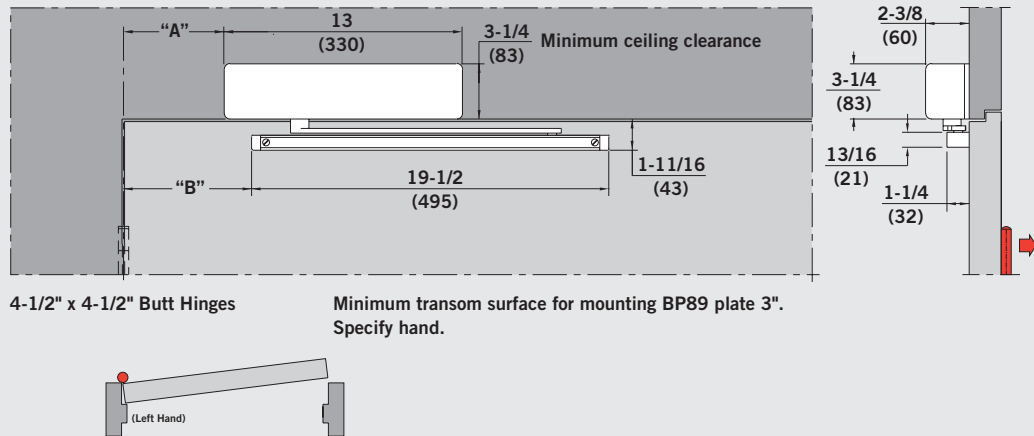
Size Selection Chart

CLOSER	INTERIOR/ EXTERIOR	DOOR WIDTH				TEMPLATE REFERENCE	DIM "A"	DIM "B"	DEAD STOP	MAXIMUM HOLD OPEN	APPROX. BACKCHECK*	APPROX. DELAYED ACTION	MINIMUM DOOR WIDTH
		2'-6" min.	3'-0" max.	3'-6" max.	4'-0" max.								
8916	INTERIOR	•	•	•	N/A	85°	7/8" (22)	8-1/4" (210)	85°	80°	60°-85°	85°-55°	31"
	EXTERIOR	•	•	N/A	N/A	90°	7/8" (22)	5-3/4" (146)	90°	85°	60°-90°	90°-55°	29"
8956	INTERIOR	N/A	•	•	•								
	EXTERIOR	•	•	•	N/A								

* Backcheck is advanced approximately 15° with positioning valve on.

Flush Track - Push Side Door Mounted x Backplate

8916 FT BP89
8916 FTH BP89
8956 FT BP89
8956 FTH BP89



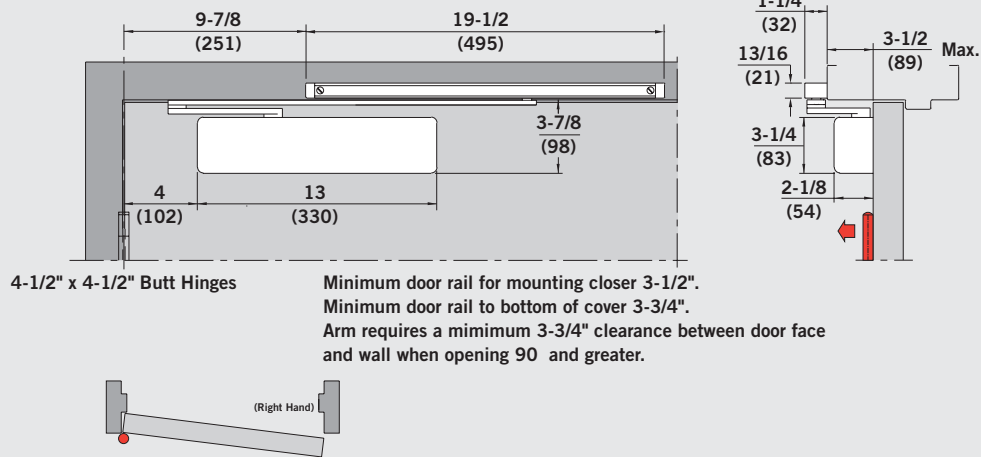
Size Selection Chart

CLOSER	INTERIOR/ EXTERIOR	DOOR WIDTH					TEMPLATE REFERENCE	DIM "A"	DIM "B"	DEAD STOP	MAXIMUM HOLD OPEN	APPROX. BACKCHECK*	APPROX. DELAYED ACTION	MINIMUM DOOR WIDTH
		2'-0" min.	2'-6" max.	3'-0" max.	3'-6" max.	4'-0" max.								
8916	INTERIOR	•	•	•	•	N/A	85°	5-1/2" (140)	7" (178)	85°	80°	70°-85°	85°-60°	29"
	EXTERIOR	•	•	•	N/A	N/A	90°	5-1/2" (140)	6-1/8" (156)	90°	85°	70°-90°	90°-60°	28"
	EXTERIOR	•	•	•	N/A	N/A	110°	4-1/2" (114)	4-3/4" (121)	110°	105°	75°-110°	110°-65°	26"
8956	INTERIOR	N/A	N/A	•	•	•								
	EXTERIOR	N/A	•	•	•	•								

* Backcheck is advanced approximately 15° with positioning valve on.

Track Double Egress - Pull Side Frame Mounted

8916 TDE
8916 TDEH
8956 TDE
8956 TDEH



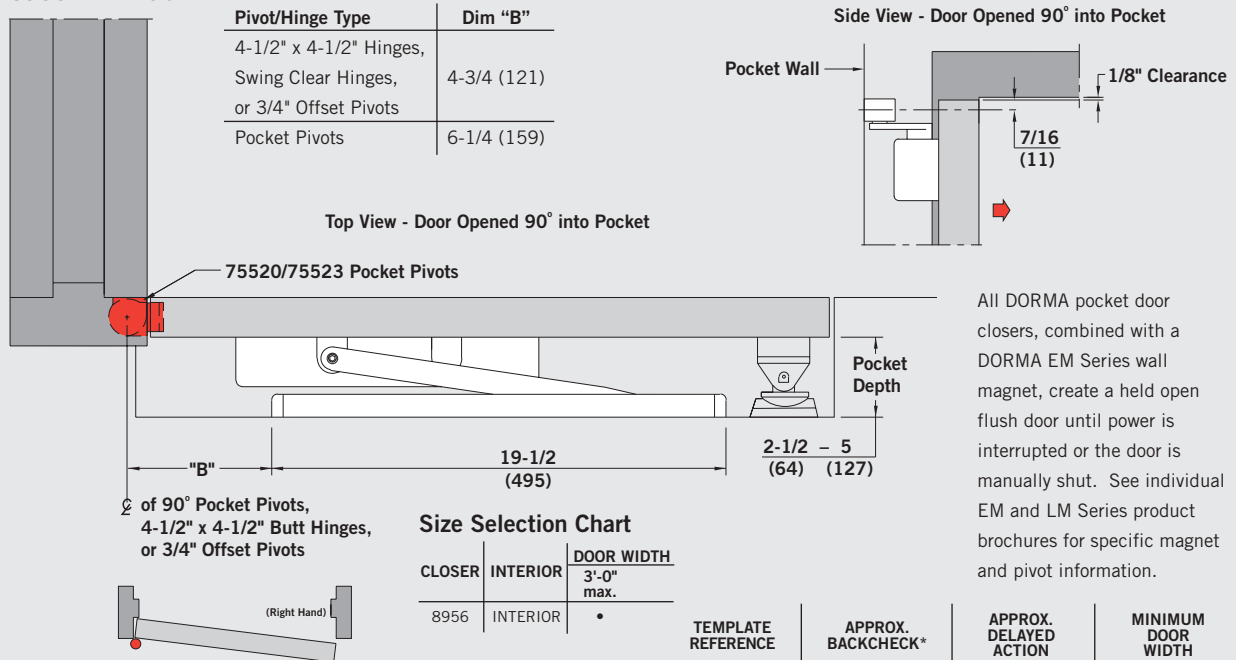
Size Selection Chart

CLOSER	INTERIOR/ EXTERIOR	DOOR WIDTH				TEMPLATE REFERENCE	DEAD STOP	MAXIMUM HOLD OPEN	APPROX. BACKCHECK*	APPROX. DELAYED ACTION	MINIMUM DOOR WIDTH
		2'-6" min.	3'-0" max.	3'-6" max.	4'-0" max.						
8916	INTERIOR	•	♿	♿	N/A	125°	125°	110°	80°-125°	125°-65°	30"
	EXTERIOR	•	♿	N/A	N/A						
8956	INTERIOR	N/A	•	•	•						
	EXTERIOR	•	•	•	N/A						

* Backcheck is advanced approximately 15° with positioning valve on.

90° Pocket Door (Track Arm)

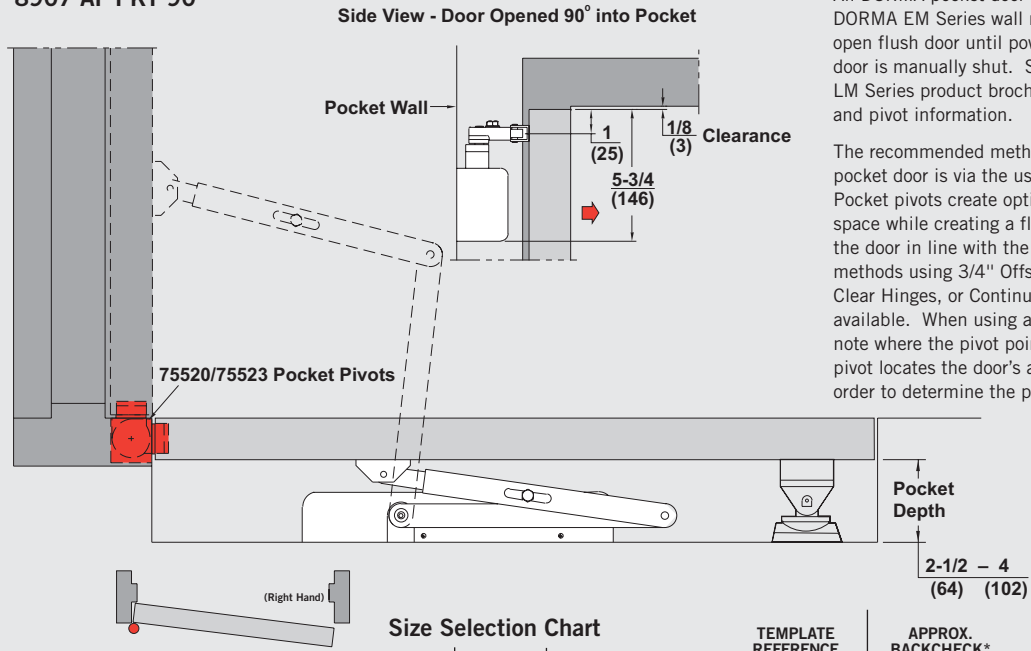
8956 T PKT 90



* Backcheck is advanced approximately 15° with positioning valve on.

90° Pocket Door (Double-Lever Arm)

8907 AF PKT 90



All DORMA pocket door closers, combined with a DORMA EM Series wall magnet, create a held open flush door until power is interrupted or the door is manually shut. See individual EM and LM Series product brochures for specific magnet and pivot information.

The recommended method for hanging a 90° pocket door is via the use of pocket pivots. Pocket pivots create optimum unobstructed space while creating a flush appearance with the door in line with the frame. Alternate methods using 3/4" Offset Pivots, Swing Clear Hinges, or Continuous Hinges are also available. When using alternate methods, note where the pivot point of the hinge or pivot locates the door's angle of opening in order to determine the pocket depth.

Size Selection Chart

CLOSER	INTERIOR	DOOR RANGE	TEMPLATE REFERENCE	APPROX. BACKCHECK*
8907	INTERIOR	2'-0" to 4'-0"	90°	80°-90°

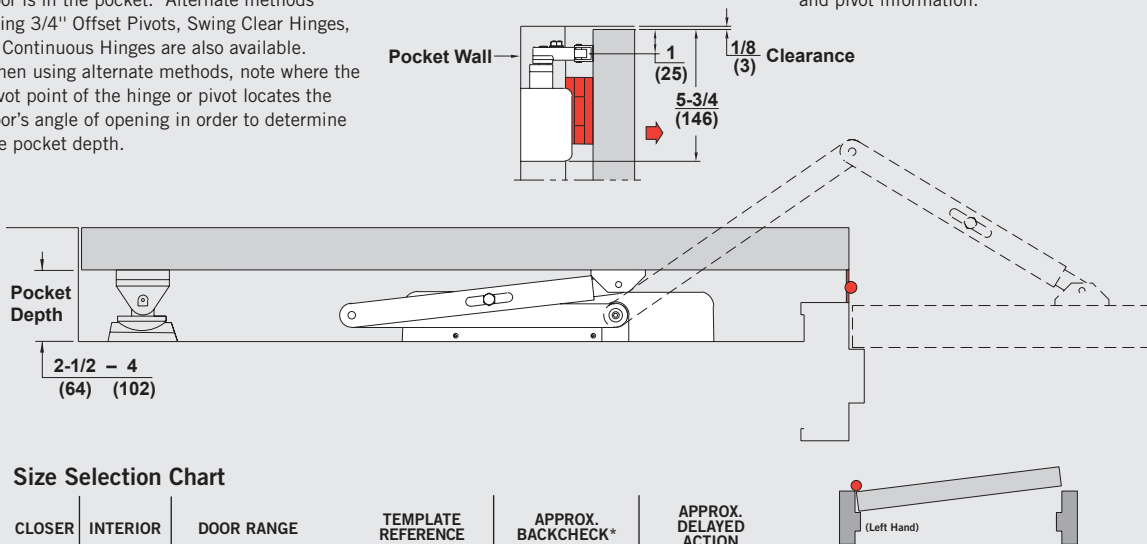
* Backcheck range is with positioning valve on.

180° Pocket Door (Double-Lever Arm)

8907 AF PKT 180

The recommended method for hanging the door is via the use of butt hinges. Hinges create optimum unobstructed space when the door is in the pocket. Alternate methods using 3/4" Offset Pivots, Swing Clear Hinges, or Continuous Hinges are also available. When using alternate methods, note where the pivot point of the hinge or pivot locates the door's angle of opening in order to determine the pocket depth.

Side View - Door Opened 180° into Pocket



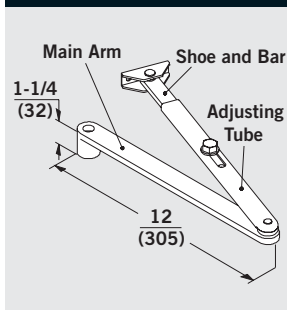
All DORMA pocket door closers, combined with a DORMA EM Series wall magnet, create a held open flush door until power is interrupted or the door is manually shut. See individual EM and LM Series product brochures for specific magnet and pivot information.

Size Selection Chart

CLOSER	INTERIOR	DOOR RANGE	TEMPLATE REFERENCE	APPROX. BACKCHECK*	APPROX. DELAYED ACTION
8907	INTERIOR	2'-0" to 3'-0"	180°	120°-180°	180°-130°

* Backcheck range is with positioning valve on.

Flat Form Arm



Standard arm furnished with 8900 Series closers. Arm is non-handed.

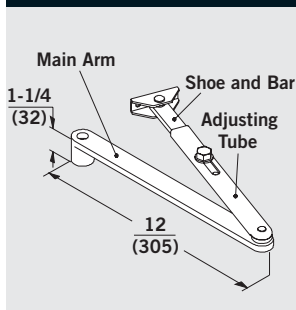
AF89 — Regular flat form arm, complete (0"–4" [0 mm–102 mm] reveal).

AF89J — Top jamb flat form arm complete (4"–8" [102 mm to 203 mm] reveal).

AF89P — Parallel flat form arm complete (Tri-Pack) (0"–4" [0 mm–102 mm] reveal). P89 included.

AMF89 — Regular flat form main arm and adjusting tube.

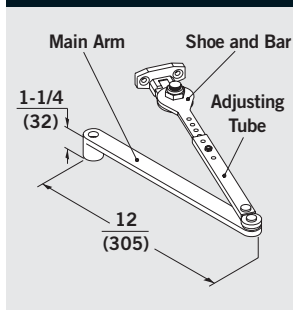
Flat Form Arm for MJ



AF8MJ — Regular flat form arm complete for use with MJ (mortise jamb) bracket.

MJ bracket ordered separately.

Friction Hold Open Arm



Provides a hold open function between approximately 90° and 180° of door opening (conditions permitting). Arm is non-handed.

FH — Friction hold open arm complete (0"–4" [0 mm–102 mm] reveal).

FHJ — Friction hold open arm complete (4"–8" [102 mm–203 mm] reveal).

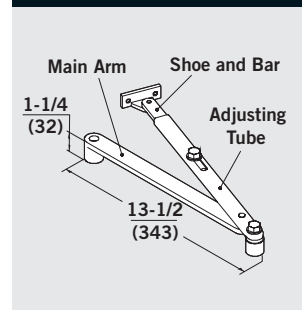
FHP — Friction hold open arm complete (Tri-Pack) (0"–4" [0 mm–102 mm] reveal). PHB included.

FHM04 — Friction hold open main arm and adjusting tube (0"–4" [0 mm–102 mm] reveal).

FHM48 — Friction hold open main arm and adjusting tube (3-1/4"–8" [83 mm–203 mm] reveal).

FHSB — Friction hold open shoe and bar.

Integra Stop Arm



Provides a dead stop function for regular and top jamb applications at 85°, 90°, 95°, 100°, 105°, and 110°. Arm is non-handed.

IS — Dead stop arm complete (0"–4" [0 mm–102 mm] reveal). Regular or top jamb.

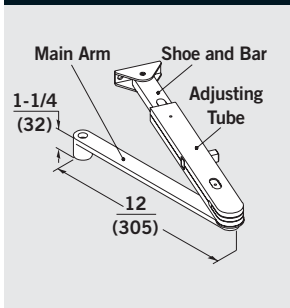
ISJ — Top jamb dead stop arm complete (4"–6" [102 mm–152 mm] reveal).

ISM8 — Main arm and adjusting tube.

ISSB04 — Shoe and bar (0"–4" [0 mm–102 mm]).

ISSB46 — Shoe and bar (4"–6" [102 mm–152 mm]).

BUMPERIS — Integra stop bumper only.

Plunger Hold Open Arm

Provides a hold open function at a selected point within a range from approximately 30° to 150° (conditions and installation applications permitting). Ideal for doors frequently placed in and out of hold open. Arm is non-handed.

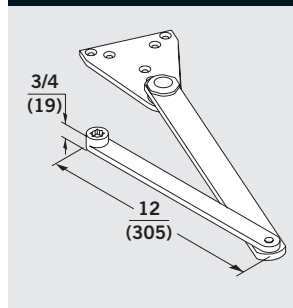
PH — Plunger hold open arm complete regular or top jamb mount (0"–1-1/4" [0 mm–32 mm] reveal).

PHP — Plunger hold open arm complete parallel arm or top jamb mount (1-1/4"–3-1/4" [32 mm–83 mm] reveal).

PHM — Plunger hold open main arm and adjusting tube.

PHSB — Plunger hold open shoe and bar regular and top jamb mount (0"–1-1/4" [0 mm–32 mm] reveal).

PHSBP — Plunger hold open shoe and bar parallel arm or top jamb mount (1-1/4"–3-1/4" [32 mm–83 mm] reveal).

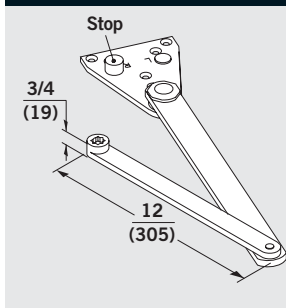
Super Parallel Arm

Heavy-duty parallel arm. Available in non-hold open, thumb turn hold open and hex key turn hold open. Units can be installed for maximum opening of 100° or 180°. Hold open units will hold open at 90° or 125°. Maximum opening is 180° (conditions permitting). Arm is non-handed. Non-hold open arm illustrated.

SPA — Non-hold open.

SPAT — Thumb turn hold open.

SPAK — Hex key turn hold open.

Door Saver Arm

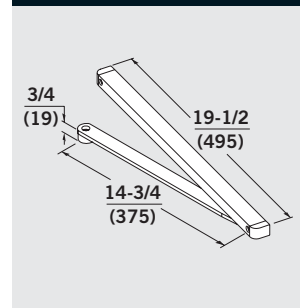
Heavy-duty parallel arm with integral dead stop function. Available in non-hold open, thumb turn hold open, and hex key turn hold open. Units can be installed to achieve either stop or stop and hold open at 85°, 90°, 100°, and 110°. Maximum opening is 110° (conditions permitting). Arm is non-handed. Non-hold open arm illustrated.

DS — Dead stop only.

DST — Dead stop and thumb turn hold open.

DSK — Dead stop and hex key turn hold open.

BUMPERDS - Door saver bumper only.

Track Arm

Provides slide track function for improved aesthetics and vandal resistance. Units can be installed to provide 85°, 90°, 110° or 180° of door opening (conditions and application permitting). Arm is non-handed. Also available with hold open option to provide selective single point hold open. Range of hold open and maximum opening varies with mounting application. T version illustrated.

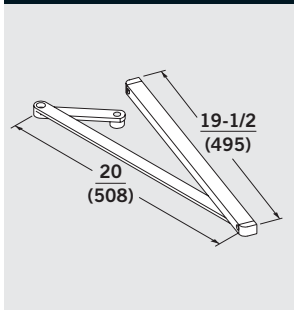
T — Track arm complete. Can be used in T, JT and FT track applications.

TH — Track hold open arm complete. Can be used in THO, JTHO and FTHO track applications.

PT89 — Push-side track arm complete. Used with PT track applications (closer on door, track or soffit).

PT89H — Push-side track hold open arm complete. Used with PT track applications (closer on door, track on soffit).

TDE Track Arm

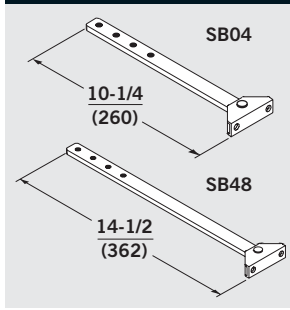


Provides slide track function for pull-side reveal conditions up to 3-1/2". Provides 125° of door opening (conditions permitting). Arm is handed. Also available with hold open option to provide selective single point hold open between 30° and 110°. Arm requires a minimum 3-3/4" clearance between door face and wall when opened 90° and greater.

TDE — Double egress track arm complete.

TDEH — Double egress hold open track arm complete.

Regular Arm Shoe and Bar

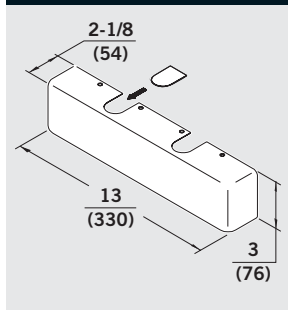


SB04 — 0"-4" (0 mm–102 mm) reveal - Shoe and bar only.

SB48 — 4"-8" (102 mm–203 mm) reveal - Shoe and bar only.

SB04 and SB48 must be used in conjunction with AMF89. Non-handed.

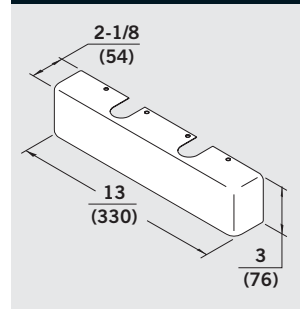
Full Plastic Cover



FC — Full plastic cover with interchangeable tab.

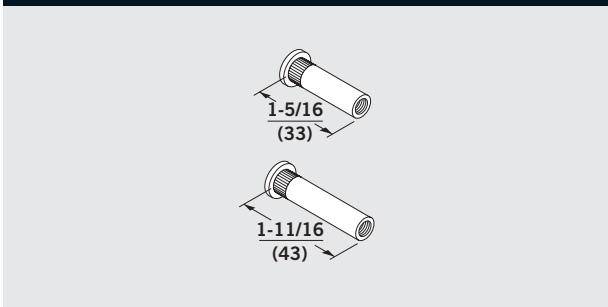
FCSL — Full plastic slotted cover with interchangeable tab. Mounting holes slotted for low ceiling conditions.

Full Metal Cover



FMC — Full metal cover. Specify hand for top jamb, T track, and FT track applications.

Sex Nuts

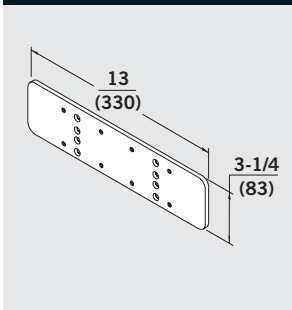


SN1 — Sex nuts for 1-3/4" (44 mm) door.

SN2 — Sex nuts for 1-3/8" (35 mm) door.

Required for use on unreinforced doors and wood or composite labeled fire doors for securely attaching hardware to the door.

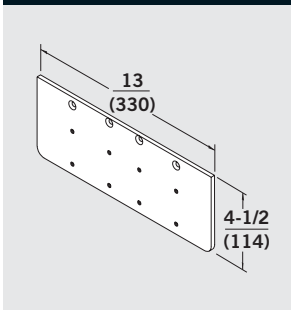
Backplate



BP89 — For mounting top jamb when frame face is less than 2-7/8" (73 mm). Two sets of mounting holes accommodate 1-3/4" (44 mm) or 3-1/4" (83 mm) minimum ceiling clearance.* Top set of holes create top jamb drop application to clear a surface applied stop/holder.

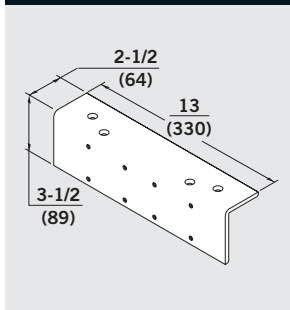
Can also be used for regular mount closer to clear mortised stop/holder.

Drop Plate



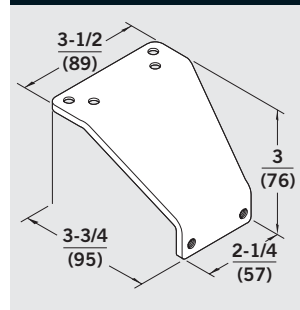
DP89 — For parallel arm installation of 8900 Series closers when top door rail is less than 5-3/4" (146 mm) for non-hold open and plunger hold open. When top door rail is less than 6" (152 mm) for friction applications (assuming 5/8" (16 mm) stop dimension).

Angle Bracket



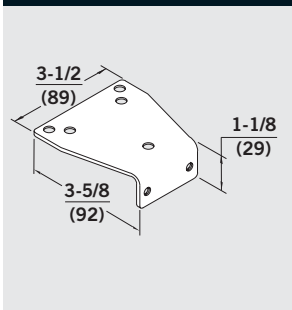
AB89 — For installation of 8900 Series closers where parallel arm and top jamb applications are not practical due to low overhead ceiling clearance, narrow frame face, or unusual trim conditions. This bracket can also be used to provide clearance for a surface-applied stop/holder.

Drop Bracket



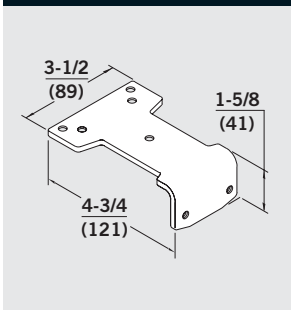
PD — For 8900 Series closer non-hold open parallel arm applications to clear a surface-applied stop/holder.

Bracket



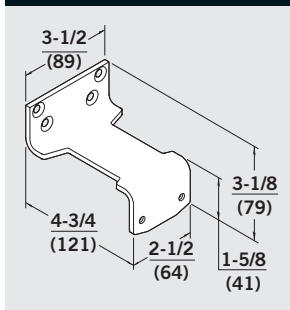
P89 — Furnished standard with 8900 P Series closer non-hold open and plunger hold open parallel arm applications. Spacer block furnished standard for use with narrow stop applications.

Parallel Hold Open Bracket



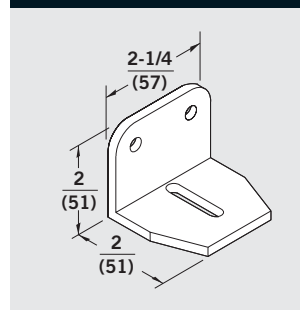
PHB — Furnished standard with 8900 FHP Series closer friction hold open parallel arm applications. Spacer block furnished standard for use with narrow stop applications.

Parallel Flush Transom Bracket



PFT — For all 8900 Series closer hold open and non-hold open parallel arm installations where flush transom conditions prohibit use of P89 or PHB bracket.

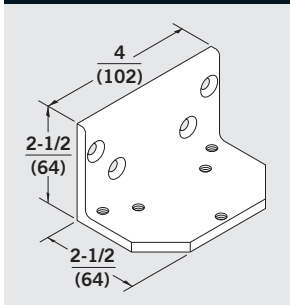
Narrow Frame Bracket



NFHD — For use with all 8900 Series DS and SPA applications where total frame depth is less than 4-1/2" (114 mm), prohibiting use of standard spacer block. NFHD bracket is used in lieu of block supplied with arm.

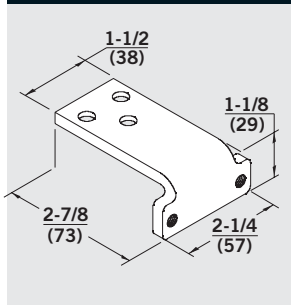
*Overhead ceiling clearance is measured from bottom of frame face to ceiling.

Flush Transom Bracket



FTHD — For use with all 8900 Series DS and SPA applications where flush transom conditions prohibit normal installation of soffit bracket.

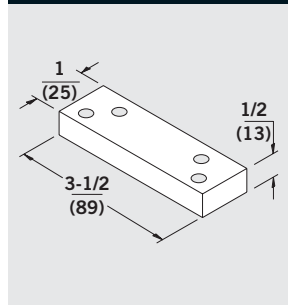
Mortised Jamb Bracket



MJ — For 8900 Series closers with regular mount non-hold open assemblies where frame conditions will not permit use of the standard foot, e.g. molded, bull nose, or ornate trim. Permits use of parallel arm application between twin communicating doors where limited space prohibits use of P89 bracket.

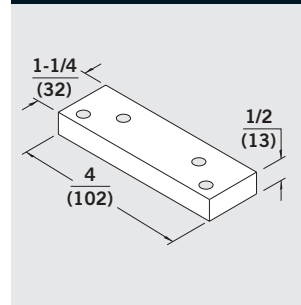
Flat form arm applications must use MJ in combination with AF8MJ Arm.

Blade Stop Spacer

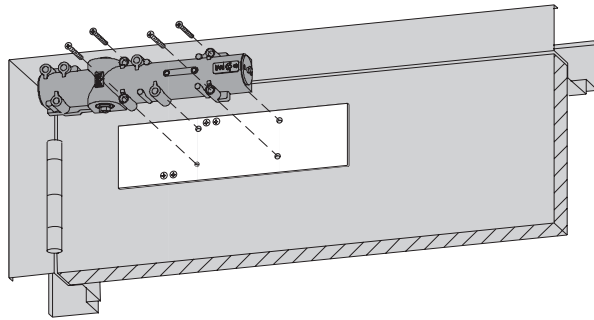


BS — For use with all 8900 Series P89, PD, and PHB applications installed on cased frames with applied blade stops. This block is used in conjunction with the spacer furnished with the arm to provide adequate clearance for the blade stop.

Heavy-Duty Blade Stop Spacer

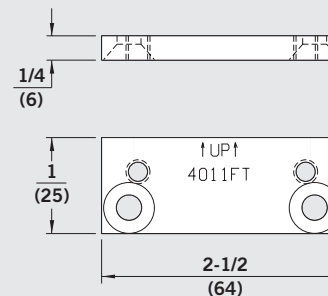


BSHD — For use with all 8900 Series DS and SPA applications installed on cased frames with applied blade stops. This block is used in conjunction with the spacer furnished with the arm to provide adequate clearance for the blade stop.



- 4040R** - Conversion plate utilizes **LCN 4040 Reg. 120°** holes for attachment to the door. The frame face will require drilling and tapping two holes for the arm shoe assembly. The DORMA 8900 Series closer will open a full 180° at this location.
- 4040P** - Conversion plate utilizes **LCN 4040 PA 180°** holes for attachment to the door. The frame will require drilling and tapping four holes for the DORMA 960R soffit bracket. The DORMA 8900 Series closer will open a full 180° at this location.
- 4040C** - Conversion plate utilizes **LCN 4040 Cush 90°** holes for attachment to the door. Requires drilling and tapping five holes in the frame for the DORMA **DS** soffit bracket.
- 4040E** - Conversion plate utilizes **LCN 4040 EDA 180°** holes for attachment to the door. Requires drilling and tapping five holes in the frame for the **SPA** soffit bracket.
- 4011** - Conversion plate utilizes **LCN 4011 Reg. 90°** or **LCN 4011 Reg. 140°** holes for attachment to the door. The frame face will require drilling and tapping two holes for the arm shoe assembly.
- 4111** - Conversion plate utilizes **LCN 4111 PA 90°** or **LCN 4111 PA 180°** holes for attachment to the door. Requires drilling and tapping five holes in the frame for the DORMA **SPA** soffit bracket.

- 4020** - Conversion plate utilizes **LCN 4020 TJ 100°** or **LCN 4020 TJ 180°** holes for attachment to the frame face. The door will require drilling and tapping two holes for the arm shoe assembly.
- 7500R** - Conversion plate utilizes **Norton 7500 Reg. 90°** or **Norton 7500 Reg. 180°** holes for attachment to the door. The arm shoe attaches using the existing Norton arm shoe preparation.
- P7500** - Conversion plate utilizes **Norton P7500 PA 90°** or **Norton P7500 PA 180°** holes for attaching the closer body to the door. The soffit bracket attaches using the existing Norton soffit bracket preparation.
- 8300/8500** - Conversion plate utilizes **Norton 8300** and **8500** regular and parallel arm holes for attachment to the door. Regular arm shoe and parallel arm soffit bracket attachments use the existing Norton preparation.
- 8980R/PA** - Conversion plate utilizes **DORMA TS83** regular and parallel arm holes for attachment to the door. Regular arm shoe and parallel arm soffit bracket attachments use the existing TS83 preparation.
- 4011FT** - Optional arm shoe conversion plate used with 4040R, 4011, or 4020 for applications in which redrilling is not desirable.

4011FT (optional for use with 4040R, 4011, or 4020)


**DORMA Group
North America**
www.dorma-usa.com

DORMA Architectural Hardware
DORMA Drive, Drawer AC
Reamstown, PA 17567-0411
Telephone: (800) 523-8483
Facsimile: (800) 274-9724
E-mail: archdw@dorma-usa.com

DORMA Canada
1680 Courtney Park Drive, Unit 13
Mississauga, Ontario L5T 1R4
Telephone: (800) 387-4938
Facsimile: (905) 670-5850
E-mail: sales@dormacanada.com

DORMA Mexico, S. de R.L. de C.V.
Astrónomos 28
Col. Escandón
11800, México, D.F.
Mexico
Telephone: (52+55) 5272-6937
Facsimile: (52+55) 5272-6948
E-mail: dormaoper@prodigy.net.mx