



# NO. 10, 20, 30 ALARM INSTRUCTIONS

## STANDARD FEATURES :

- Horn factory set to sound 90 seconds with automatic reset, or field select continuous horn.
- Audible chirp when turned "ON", Red LED flashes to signal "ON"

## NO. 1210, L1210 / 1310, L1310 :

- Powered by 9 volt battery with low battery chirp @ 7.5 V.

## NO. 1220, L1220 / 1320, L1320 :

- Powered by 10 to 26 VDC.
- 9 volt battery back up with low battery chirp @ 7.5 V.

## NO. 1230, L1230 / 1330, L1330 :

- Powered by 10 to 26 VDC.

## ALARM OPERATION INSTRUCTIONS :

Alarm will sound when push bar is depressed.

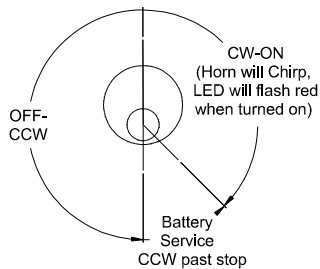
To turn alarm ON: Turn key clockwise. Horn will chirp, Red LED will flash to signal "ON"  
 To turn alarm OFF: Turn key counterclockwise one click to disarm.

## TROUBLE SHOOTING TIPS

Alarm will not sound when activated:

1. Test battery.
2. For Alarm Units shipped prior to 3/23/09: The Lock Plate is secured by a set screw inside the lock post. To activate the alarm properly, the Lock Plate in the Housing must be up against the Chassis. To adjust, loosen the set screw in the lock post with supplied allen wrench, reposition, and retighten.

AFTER INSTALLATION, PEEL AND APPLY LABEL NEXT TO ALARM CYLINDER



## BATTERY REPLACEMENT :

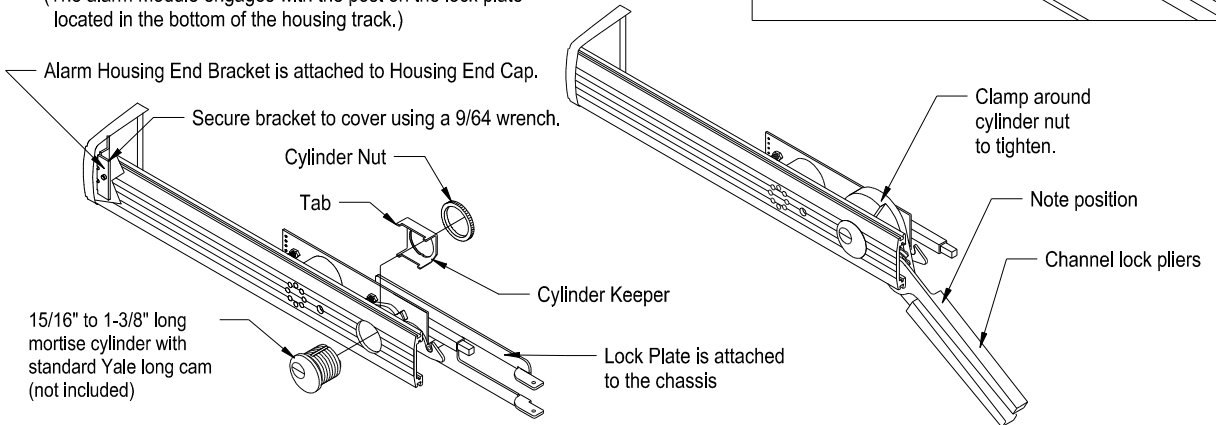
1. Do not remove housing end cap.
2. Turn key CCW to the "ON" position, then past stop and hold. Alarm is now freed from lock post.
3. Slide alarm extrusion toward hinge side of door to expose battery.
4. Turn key CW to center.
5. Replace battery.
6. Slide alarm extrusion towards the push bar until it snaps into the locked position.
7. Test operation.

## CYLINDER INSTALLATION :

NOTE: Cylinder is supplied by others. Use a 15/16"- 1-3/8" long mortise cylinder with a standard Yale long cam.

1. Remove yellow plug in the cylinder hole and discard.
2. With key removed, insert cylinder as shown.
3. Install cylinder keeper over cylinder and secure with cylinder nut.  
**Note: For 15/16" cylinders, snip off the 4 tabs on cylinder keeper.**
4. Remove Housing End cap & Bracket from Pack "B", slide into Cover leaving a small gap between the cover and the cover. Secure cap screw with a 9/64" wrench.
5. Install alarm extrusion into housing grooves and slide towards the push bar until it snaps into the locked position.  
(The alarm module engages with the post on the lock plate located in the bottom of the housing track.)

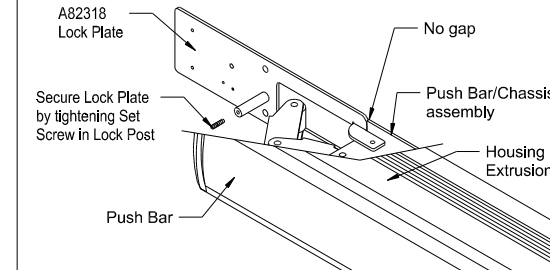
IMPORTANT



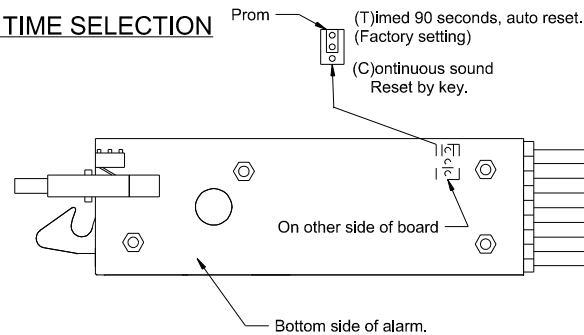
## LOCK PLATE INSTALLATION FOR ALARM KITS NO. 10, 20, 30

1. Slide Lock Plate into grooves of Housing Extrusion and position up flush to Push Bar/Chassis assembly.
2. Secure Lock Plate by tightening set screw in post.  
(Allen wrench provided)

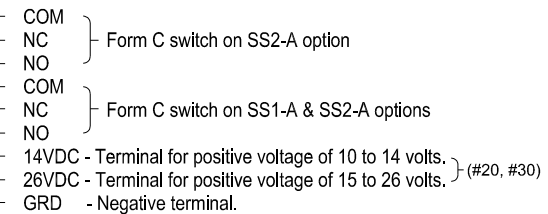
Note: Lock Plate is attached by pop rivets for fire-rated and screws for non-fire-rated devices.



## HORN TIME SELECTION



## WIRING HOOK UPS FOR SS1-A AND SS2-A, 12 or 24 VDC EXTERNAL POWER



SS1-A Switch Rating: .1 A at 48 VAC.  
 (Switch is activated by the Push Bar)  
 SS2-A Switch Rating: 1.0 A at 24 VAC.  
 (Switches are deactivated when alarm is in "OFF" position)