

4560, 4561, 4565 Latch Handles

Function

Designed to operate 4500 or 4700 series latches by a natural downward hand movement, these handles incorporate an activator cam disc that mounts on the handle escutcheon and fits solidly into the cylinder hole of the latch. Not intended for use as a door pull.

Options

Pre-handing can be specified LH or RH although it is field reversible. Handles shown are for 1-3/4" thick doors. Available on special order for doors up to 3-1/4".

Escutcheons

All three handles use the same 1-3/8" x 4" escutcheon. A 1/4" square heat-treated spindle is part of escutcheon assembly, which interlocks with the cam plug. Finish: Ritecoat 130

Cam Plugs

Secured in latch body by cylinder setscrew, plug is also rigidly tied to handle escutcheon by hardened steel pins. Handing can be reversed by removing a spring clip, "flipping" the cam and replacing the clip.

- 4560 Handle — Lever of satin chrome plated zinc alloy is shaped to fit the hand, even on a short backset narrow stile. Finish 682 (US26D)
- 4561 Handle—Lever of black satin Nylon material remains pleasant to the touch even in hot or cold environments.
- 4565 Handle—Ideal for doors where latch is operated infrequently or in emergencies only. Finish: 682 (US26D)



4568, 4569 Eurostyle Latches

Function

Designed to operate 4500 or 4700* Series latches by a natural downward hand movement, these handles incorporate an activator cam disc that mounts on the handle escutcheon and fits solidly into the cylinder hole of the latch. Not intended for use as a door pull.

*Except 4750



Options

Pre-handing can be specified LH or RH although it is field reversible. Standard handles are for 1-3/4" thick doors. Available on special order for doors up to 2-3/4".

Escutcheons

1-3/8" x 4". Steel mounting base is secured by hidden screws, has two large helical compression springs. A 1/4" square heat-treated spindle is part of escutcheon assembly, which interlocks with the cam plug. Finish: 628, 313 or 335.

Cam Plug

Secured in latch body by cylinder setscrew, plug is also rigidly tied to handle escutcheon by hardened steel pins. Handing can be reversed by removing a spring clip, "flipping" the cam and replacing the clip.

Levers

Lever of cast aluminum, in choice of 628 Satin Aluminum, 313 Satin dark "bronze" or 335 black. Styling offers a generous hand grip with shank offset away from the narrow stile jamb for hand safety. 4569 has return end to meet anti-sag code requirements.

4550 Deadlock Lever

Easy unlocking of any MS deadlock by approximately 3 lb. downward force on 4" lever. Lever is spring loaded to horizontal, relocks by upward motion.

Indicator, operated by deadlock's bolt, signals lock status "LOCKED" or "OPEN".

Can be used in place of existing key cylinder or cylinder type thumbturn on inside of door. Lever housing projects 11/16" forward of cylinder backset centerline, it may be necessary to modify the stop to clear the housing. Hollow stops may preclude the use of lever.



Options

Available in three Ritecoat finishes: 628, 313 and 335.

Housing

Aluminum casting is 1-3/8" W x 7-1/2" L x 1" deep. 3" long aluminum lever with end-return. Pre-handing can be specified LH or RH although it is field reversible.

Compatibility

Any MS pivoted bolt deadlock including "schoolhouse" versions can be fitted with the 4550.

Note: Not compatible with 7/8" backset locks.

ADAMS RITE MANUFACTURING COMPANY

Hardware

4590 Latch Paddle Device



Function

An alternative to knob or lever handle; makes opening a latched door as natural as opening an unlatched one - just push or pull in the direction the door swings. Available for any Adams Rite Series 4500 or 4700 deadlatch (Except 4750) or MS+1890 lock latch.

Options

First dash number specifies operation (handing) and compatible latch. Second dash number can be used to specify non-standard units for doors thicker than 1-3/4". Choice of five finishes. Also available: 4590M paddle/switch to actuate magnetic lock, electric strike, etc. (no latch retracting mechanism) and 4590MA active paddle with switch and latch retracting mechanism.

Specifications

- Escutcheon—Zinc alloy. Black Ritecoat finish. Houses steel operating mechanism. Secured to door stile with special binder posts that extend into the escutcheon to rigidly resist torque loads in any direction.
- Monitor Switch—
4590M —Paddle without latch drive mechanism but with switch that can be wired to make or break a low voltage circuit. 4590MA—Same switch in a complete active paddle with latch drive.
- Cam Plug—Furnished for use with Series 4500 or 4700 latches; not used with MS+1890 lock/latch. Secured in latch body by cylinder setscrew, plug is also rigidly tied to escutcheon by hardened steel pins.
- Paddle—Extruded aluminum, satin anodized 628 (US28) finish. Dark Bronze (313) and black (335) hardcolor available. Also, plated in US3 Bright Brass or US26 Bright Chrome.
- Operation—Available from stock in four modes: Push to left, Push to right, Pull to left and Pull to right.

First Dash No.	For Latch Series	Operation	Use
-01	4500,4700	PULL TO LEFT	Outside of left hand reverse door or inside of right hand.
-11	MS+1890		
-02	4500,4700	PUSH TO LEFT	Outside of left hand door or inside of right hand reverse.
-12	MS+1890		
-03	4500,4700	PULL TO RIGHT	Outside of right hand reverse door or inside of left hand.
-13	MS+1890		
-04	4500,4700	PUSH TO RIGHT	Outside of right hand door or inside of left hand reverse.
-14	MS+1890		

How to Order

1. Specify CATALOG NUMBER with DASH NO.:

OPERATION
See Table Above

Finish
628, 313, 335,
US3, US26

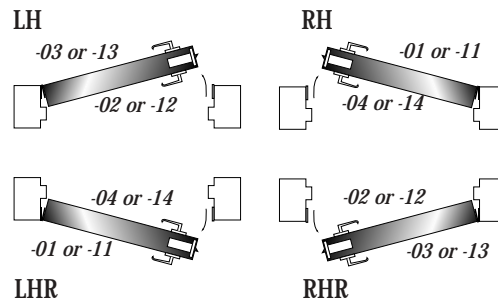
Example:

4590M-02-01-313

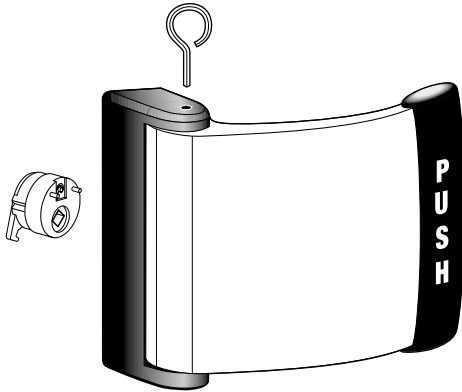
MONITOR
M Paddle w/Switch Only
MA Active Paddle w/Switch

DOOR THICKNESS
00 1-3/4"
01 1-13/16" - 2"
02 2-1/4" - 2-1/2"
03 2-3/4" - 3"
04 3-1/4"

Handing Chart



4591 Deadlatch Paddle



Function

An alternative to knob or lever handle; makes opening a latched door as natural as opening an unlatched one - just push or pull in the direction the door swings. Available for any Adams Rite Series 4500 or 4700 deadlatch (Except 7/8" BS or 4750) or MS+1890 lock/latch.

Options

4591M—Paddle without latch drive mechanism but with switch that can be wired to make or break a low voltage circuit.

4591MA—Same switch in a complete active paddle with latch drive.

91-0914 Monitor Switch Kit—Adds monitor switch function to any 4591

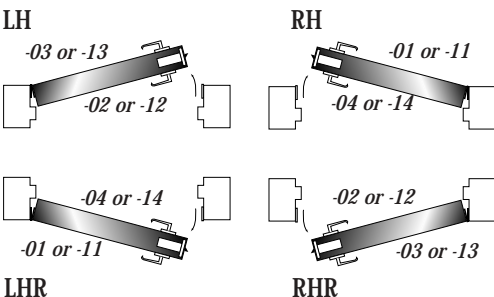
Cam Plug

Furnished for use with series 4500 or 4700 latches. (not used with MS+1890 lock/latch.) Secured in latch body by cylinder setscrew, plug is also rigidly tied to escutcheon by hardened steel pins.

Escutcheon

Zinc alloy with Black Ritecoat finish. Houses steel operating mechanism. Secured to door stile with special binder posts that extend into the escutcheon to rigidly resist torque loads in any direction.

Handing Chart



First Dash No.	For Latch Series	Operation	Use
-01	4500,4700	PULL TO LEFT	Outside of left hand reverse door or inside of right hand.
-11	MS+1890		
-02	4500,4700	PUSH TO LEFT	Outside of left hand door or inside of right hand reverse.
-12	MS+1890		
-03	4500,4700	PULL TO RIGHT	Outside of right hand reverse door or inside of left hand.
-13	MS+1890		
-04	4500,4700	PUSH TO RIGHT	Outside of right hand door or inside of left hand reverse.
-14	MS+1890		

How to Order

1. Specify CATALOG NUMBER with DASH NO.:

OPERATION
See Table Above

Finish
628, 313, 335,
US3, US26

Example:

4591M-02-01-313

MONITOR
M Paddle w/Switch Only
MA Active Paddle w/Switch

DOOR THICKNESS
00 1-3/4"
01 1-13/16" - 2"
02 2-1/4" - 2-1/2"
03 2-3/4" - 3"
04 3-1/4"

