

Introduction

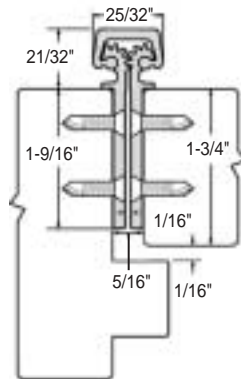
The service life of any opening is dependent on the ability of the hinges to maintain door alignment and smooth operation over millions of cycles. In a demanding application like a busy school or commercial building, the entrance may be subject to severe stress. Roton continuous gear hinges protect against early entrance failure by distributing opening and closing forces along the entire length of the door and frame.

Rust-proof, high strength aluminum extrusions keep doors in perfect alignment while cushioned bearing blocks carry the heaviest doors effortlessly through years of opening and closing cycles. Standard duty models have bearings 5-1/8" on center. Heavy duty models (indicated by the suffix HD) have double the number of bearings-spaced on 2-9/16" centers.

Full Mortise Hinge 780-112, 780-112HD

Features

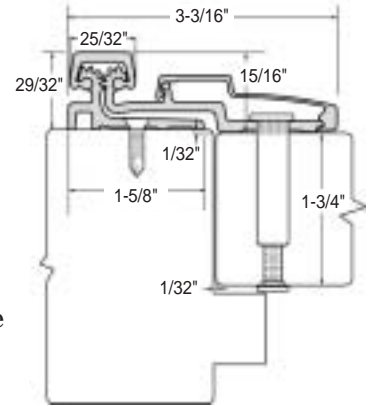
- Load and Frequency Ratings: *Standard Duty*—Medium frequency doors to 200 lbs. *Heavy Duty*—High Frequency or heavy medium frequency doors.
- Door Type: Any Material.
- Clearance: 11/32" plus standard lockside clearance.
- Fasteners: Thread Forming.
- Finish Options: All
- Length Options: Standard and Custom.
- Door Reinforcement: None to 200 lbs. Use 16 gauge channel at higher weight.
- Frame Reinforcement: None to 200 lbs. Use 16 gauge channel at higher weight.



Full Surface Wide Throw Hinge 780-210, 780-210HD

Features

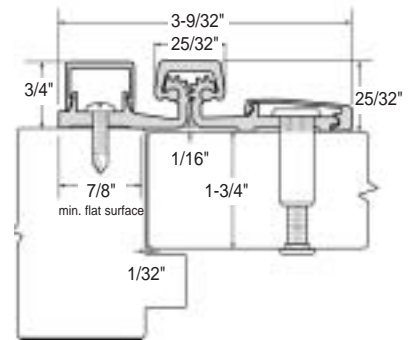
- Load and Frequency Ratings: *Standard Duty*—Medium frequency doors to 200 lbs. *Heavy Duty*—High Frequency or heavy medium frequency doors.
- Door Type: Any Material.
- Clearance: None required. 1-5/8" Minimum frame face required plus 3/16" rotational clearance.
- Fasteners: Thread Forming x Thru Bolts.
- Finish Options: All
- Length Options: Standard and Custom.
- Door Reinforcement: None
- Frame Reinforcement: None required to 200 lbs. Use 16 gauge channel at higher weight.
- Special Features: "Zero Clearance" required for hinge side can be used with any door and frame material. Security Molding.



Full Surface Retrofit Hinge 780-157, 780-157HD

Features

- Load and Frequency Ratings: *Standard Duty*—Medium frequency doors to 200 lbs. *Heavy Duty*—High Frequency or heavy medium frequency doors.
- Door Type: Any Material.
- Clearance: None required.
- Fasteners: Drill Quick x Thru Bolts.
- Finish Options: All
- Length Options: Standard and Custom.
- Door Reinforcement: None
- Frame Reinforcement: None required to 200 lbs. Use 16 gauge channel at higher weight.
- Special Features: For surface applications where frame face dimension is limited. Security Molding.



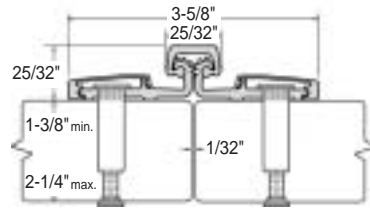
ROTON

Gear Hinges

Full Surface Hinge 780-057, 780-057HD

Features

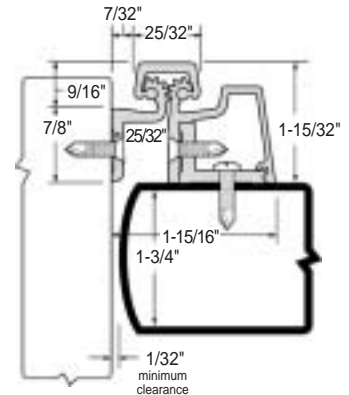
- Load and Frequency Ratings: *Standard Duty*—Medium frequency doors to 200 lbs. *Heavy Duty*—High Frequency or heavy medium frequency doors.
- Door Type: Any Material.
- Clearance: None required for hinge side.
- Fasteners: Thru Bolts.
- Finish Options: All
- Length Options: Standard and Custom.
- Door Reinforcement: None
- Frame Reinforcement: None
- Special Features: Bifold applications. Security Moldings.



Single-Acting Center-Hung Hinge 780-300HD

Features

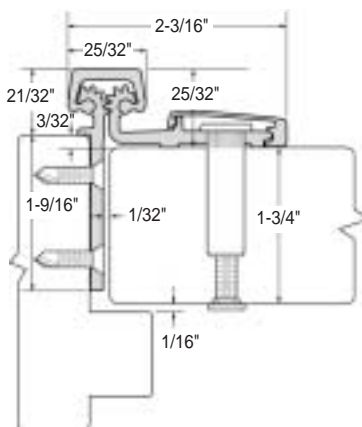
- Load and Frequency Ratings: *Heavy Duty*—High Frequency or heavy medium frequency center-hung doors.
- Door Type: Any Material.
- Clearance: None required 3/4" Minimum inset.
- Fasteners: Self Drilling Pan Head.
- Finish Options: All
- Length Options: Standard and Custom.
- Door Reinforcement: None Required to 200 lbs. Use 16 gauge channel at higher weight.
- Frame Reinforcement: None required to 200 lbs. Use 16 gauge channel at higher weight.
- Special Features: For Center-Hung door application.



Half Surface Retrofit Hinge 780-053, 780-053HD

Features

- Load and Frequency Ratings: *Standard Duty*—Medium frequency 1 3/4" or 1 3/8" doors to 200 lbs. *Heavy Duty*—High Frequency or medium frequency heavy doors.
- Door Type: Any Material.
- Clearance: 5/32" frame leaf thickness (1/8" min.) plus standard lockside clearance.
- Fasteners: Thru Bolts x Thread Forming.
- Finish Options: All
- Length Options: Standard and Custom.
- Door Reinforcement: None
- Frame Reinforcement: None required to 200 lbs. Use 16 gauge channel at higher weight.
- Special Features: Frame leaf alignment rib for proper hinge location. Security Molding.



All models are available in lengths of 83" and 95" in Clear Aluminum or Dark Bronze. Other lengths available to order.