

Light Duty Floor Closers

**50 Series
Shallow Center Hung Floor Closers**

- Shallow depth case allows installation in thin slab floor construction.
- Can be adjusted forward, backwards and sideways within the cement case.
- Available in all standard architectural finishes.

Model 5012/5013/5014/5015

Single Acting

- For interior doors.
- Single Acting – handed.
Specify swing of door.
- Weight to 250 lbs.
- Door width up to 4'0".



Features

- Available 90 or 105 degrees Automatic hold open (AHO) or non-hold open (NHO).
- Standard top pivot: 340.
- Will swing as far as frame trim will permit.
- Not allowed for use on labeled fire doors or frames.
- ANSI/C06021

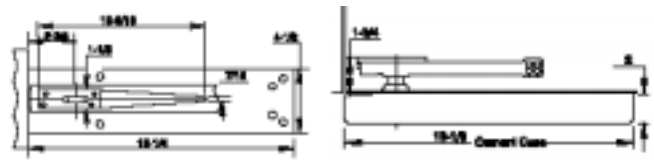
Options

- Delayed Action option available—prefix “DA”. Not available on Backcheck models.
- Backcheck available, suffix “BC”. Not available on delayed action models.
- Extended spindles available in 1/2" increments up to 2".
- Models available to meet ANSI A117.1 requirements for physically handicapped access. For doors up to 42", use spring size #2. For doors up to 48", use spring size #3.
- Available with fully concealed 554 Arm which eliminates visible adjusting screws on the face of the door (shims cannot be used with this arm).
- Prepped for terrazzo pan.

Door Size Chart

DOOR WIDTH	STANDARD SPRING SIZE	PH SPRING SIZE
36"	5013	—
42"	5014	5012
48"	5015	5013

Specifications



Ordering Information

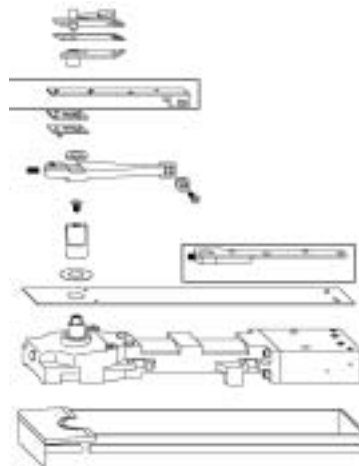
Complete 5012/13/14/15 Series closers include:

- Top Pivot: 340
- Arm Package: 282026
- Floor Plate: 4000600-XXE
- *Closer (less all parts): 5013BC (specify hand)
- 5013BC-90A (specify hand)
- 5013 (specify hand)
- Cement Case: 4000301
- Concealed Arm: 282554

Options include:

- Heavy Duty Top Pivot: H340

**Other closer models available. Specify spring size.*



50 Series (Continued)
Shallow Center Hung Floor Closers

- Shallow depth case allows installation in thin slab floor construction.
- Can be adjusted forward, backwards and sideways within the cement case.
- Available in all standard architectural finishes.

Model 5022/5023/5024/5025

Double Acting

- For interior doors.
- Double Acting—non-handed.
- Weight to 250 lbs.
- Door width up to 4'0".



Features

- Available 90° or 105° automatic hold open (AHO) or non-hold open (NHO).
- Standard top pivot: 340.
- Will swing as far as frame trim will permit.
- Not allowed for use on labeled fire doors or frames.
- ANSI/C06021

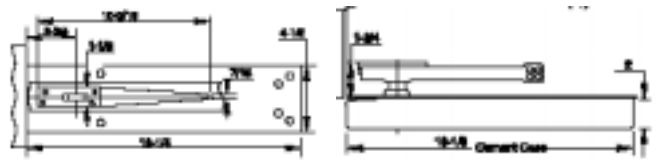
Options

- Delayed action option available—prefix "DA". Not available on Backcheck models.
- Backcheck available, suffix "BC". Not available on delayed action models.
- Extended spindles available in 1/2" increments up to 2".
- Models available to meet ANSI A117.1 requirements for physically handicapped access. For doors up to 42", use spring size #2. For doors up to 48", use spring size #3.
- Prepped for terrazzo pan.

Door Size Chart

DOOR WIDTH	STANDARD SPRING SIZE	PH SPRING SIZE
36"	5023	—
42"	5024	5022
48"	5025	5023

Specifications



Ordering Information

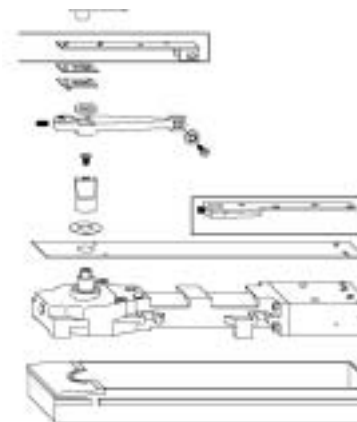
Complete 5022/23/24/25 Series closers include:

- Top Pivot: 340
- Arm Package: 282026
- Floor Plate: 4000600-XXE
- *Closer (less all parts): 5023BC
5023BC-90A
5023N
- Cement Case: 4000301

Options include:

- Heavy Duty Top Pivot: H340

**Other closer models available. Specify spring size, degree of opening and options.*



50 Series Double Acting, center hung closer packages include: cement case, closer, floor plate, spindle kit, arm and top pivot.

Light Duty Floor Closers

**51 Series
Shallow Offset Hung Floor Closers**

- Single acting handed floor closers.
- Shallow depth case allows installation in thin slab floor construction.
- Can be adjusted forward, backwards and sideways within the cement case.
- Available in all standard architectural finishes.

Model 5102/5103/5104/5105

3/4" & 1-1/2" Offset

- For interior doors.
- Weight to 250 lbs.
- Door width up to 40".



Features

- Available 90, 105 or 180 degrees Automatic hold open (AHO) or non-hold open (NHO).
- Standard top pivot (3/4" offset): 180—Fire rated: F180.
- Optional top pivot (1-1/2" offset): 180 x 1-1/2—Fire rated: F180 x 1-1/2.
- Intermediate pivot required (3/4" offset): M19—Fire rated: FM19 (order separately).
- Optional Intermediate pivot (1-1/2" offset): M19 x 1-1/2—Fire rated: FM19 x 1-1/2 (order separately).
- Will swing 180 degrees, trim permitting.
- 3/4" offset Standard (measured from center line of pivot to face of door).
- ANSI/C06041—Fire rated: ANSI/C06041.

Options

- Delayed Action option available—prefix "DA". Not available on Backcheck models.
- Backcheck available, suffix "BC". Not available on delayed action models.
- Extended spindles available in 1/2" increments up to 2".
- Models available to meet ANSI A117.1 requirements for physically handicapped access. For doors up to 42", use spring size #2. For doors up to 48", use spring size #3.
- For fire rated openings up to 3 hours (non-hold open only)
- Prepped for terrazzo pan.

Door Size Chart

DOOR WIDTH	STANDARD SPRING SIZE	PH SPRING SIZE
36"	5103	—
42"	5104	5102
48"	5105	5103

Specifications



Ordering Information

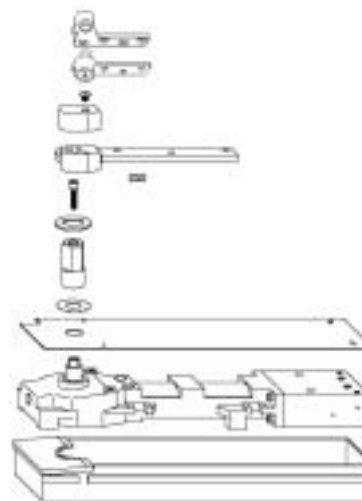
Complete 5102/03/04/05 Series closers include:

	3/4" OFFSET	1-1/2" OFFSET
Top Pivot:	180	180 x 1-1/2
Arm Package:	252050	252060 (specify hand)
Floor Plate:	4000501-XXE	4000501-XXE (specify hand)
*Closer		
(less all parts):	5103-90A	5103-90A (specify hand)
	5103-90BC	5103-90BC (specify hand)
	5103BC	5103BC (specify hand)
Cement Case:	4000301	4000301

Options include:

Heavy Duty		
Top Pivot:	H180	H180-1-1/2
Intermediate		
Pivot:	M19	M19 x 1-1/2

**Other closer models available. Specify spring size.*



51 Series package includes: cement case, closer, floor plate, spindle kit, arm and top pivot. Order an intermediate pivot separately.

51 Series (continued)
Shallow Offset Hung Floor Closers

- Single acting handed floor closers.
- Shallow depth case allows installation in thin slab floor construction.
- Can be adjusted forward, backwards and sideways within the cement case.
- Available in all standard architectural finishes.

Model HM5102/5103/5104/5105

3/4" Offset

- For interior doors.
- Weight to 250 lbs.
- Door width up to 4'0".



Features

- Available 90, 105 or 180 degrees Automatic hold open (AHO) or non-hold open (NHO).
- Designed for stock metal doors and frames with 4.5" x 4.5" preparation.
- Complete installation includes three ball bearing bronze 3/4" offset hinges. For Fire rated openings, steel hinges are required and supplied.
- Will swing 160 degrees, trim permitting.
- Arm is surface mounted with thru-bolts and allows closer to be removed without removing door.
- 3/4" offset Standard (measured from center line of hanging means to face of door).
- For 1-3/4" doors only.
- ANSI/C06041—Fire rated:ANSI/C06041.

Options

- Delayed Action option available—prefix "DA". Not available on Backcheck models.
- Backcheck available, suffix "BC". Not available on delayed action models.
- Extended spindles available in 1/2" increments up to 2".
- Models available to meet ANSI A117.1 requirements for physically handicapped access. For doors up to 42", use spring size #2. For doors up to 48", use spring size #3.
- For fire rated openings up to 3 hours (non-hold open only).
- Also available as Q51 & QT51 models. Contact us for additional information.

Door Size Chart

DOOR WIDTH	STANDARD SPRING SIZE	PH SPRING SIZE
36"	5103	—
42"	5104	5102
48"	5105	5103

Specifications

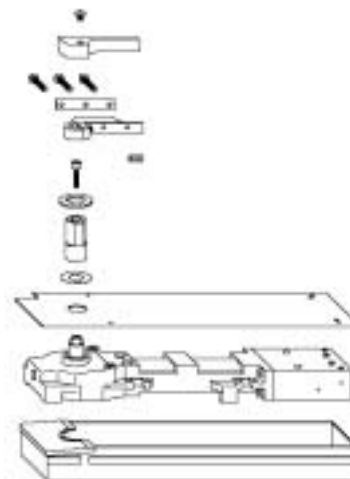


Ordering Information

Complete HM5102/03/04/05 Series closers include:

- Hinges: 254545-PKG
- Arm Package: 222050 (specify hand)
- Floor Plate: 4000501-XXE (specify hand)
- *Closer (less all parts): 5103-90A (specify hand)
- 5103-90BC
- 5103BC
- Cement Case: 4000301

**Other closer models available. Specify spring size.*



HM51 Series package includes cement case, closer, floor plate, spindle kit, arm, three ball-bearing 3/4" offset hinges (not shown above).