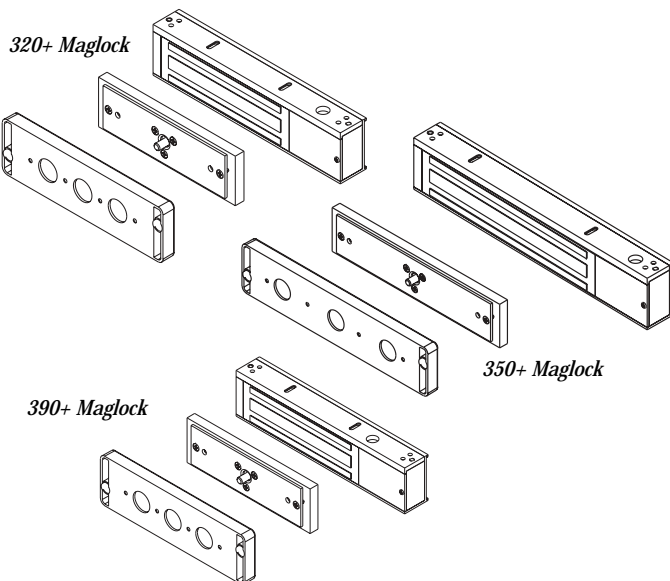


Locknetics MagForce+

Locknetics' new MagForce Plus generation of electromagnetic locks is the evolution of the industry leading 390 Series. The MagForce Plus family consists of the 390+ with 1650 lbs of holding force, the 350+ with 1200 lbs of holding force, and the 320+ with 700 lbs of holding force. Common features, installation, appearance, and circuit boards make selling, installing, and maintaining the MagForce Plus family easy. The MagForce Plus line is simply designed; if you know one magnet in the family, you know them all. So, for high security, narrowline, or traffic control applications throughout your facility, MagForce Plus is the positive force with universal appeal.

Magforce Benefits

- Quick and easy installations with consistent style, adjustable mounting brackets
- Universal appearance with slide-in architectural finish plates
- Quieter operation and higher reliability with an attractive armature housing
- Straight forward integration into access control systems with modular circuit boards
- Improved appearance and security with top jamb bracket



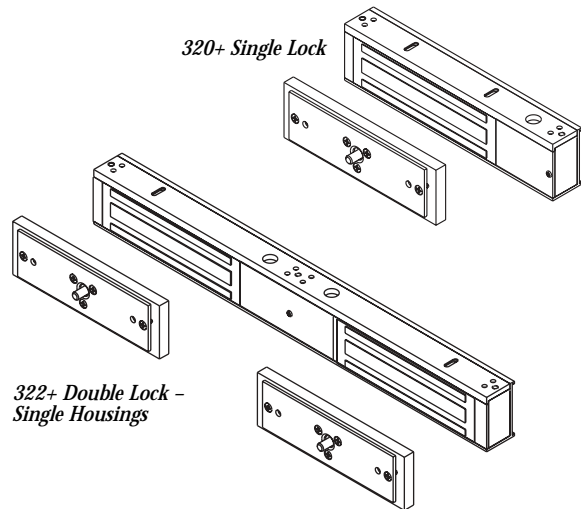
Finishes

Standard finish is 628. Optional slide-in plates in architectural finishes allow for the easy changing of the exterior look of the magnet. All magnets prepared for the slide-in plates are provided in a 335 satin black anodized finish.

Special Finishes: All magnets, herculite door brackets, filler plates, angle brackets and housings are also available in numerous architectural plated finishes.

320+ Traffic Control Magnet

MEA



The 320+ surface mounted electromagnetic lock offers 700 pounds of direct holding force for interior doors and general traffic control applications. A new armature housing holds the armature in place, eliminating the noise and sagging known with armatures, increasing the overall reliability of the product. Certifications. The 320+ exceeds ANSI/BHMA A156.23 Grade 3 standards with 700 pounds of direct holding force and is UL listed as an auxiliary lock for a 3 hour fire-rated opening.

Specifications

	320+	322+
Holding Force (LBS)	700	700 Per door leaf
Input Voltage (STD. UNIT)	12/24 VDC	12/24 VDC
Current Draw	.75A@12VDC	1.50A@12VDC
Dual Voltage	.38A@24V	.76A@24V
Field Selectable		
Height	2-1/8"	2-1/8"
Length	8-9/16"	16-3/4"
Width	1-11/16"	1-11/16"
Standard Finish	628	628

Available options: DSM, MBS, MBS-L1, ATD, ATS, SMTD, RCP, TJ and HDB See page 292 for explanations of options.

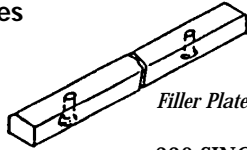
320+ Series Installation Accessories

	320+	322+
Top Jamb Brackets for inswinging doors	TJ20	TJ22
Herculite Door Brackets	HDB20	HDB22

LOCKNETICS

MagForce+ Series

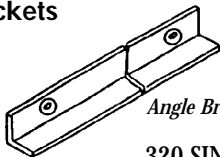
Filler Plates



Filler Plate

LENGTH	320 SINGLE	322 DOUBLE
WIDTH X HEIGHT	PLATE NO.	PLATE NO.
1-1/4" x 1/8"	3201F	3221F
1-1/4" x 1/4"	3202F	3222F
1-1/4" x 3/8"	3203F	3223F
1-1/4" x 1/2"	3204F	3224F
1-1/4" x 5/8"	3205F	3225F
3/4" x 1/2"	3206F	3226F
3/4" x 5/8"	3207F	3227F
3/4" x 3/4"	3208F	3228F

Angle Brackets



Angle Bracket

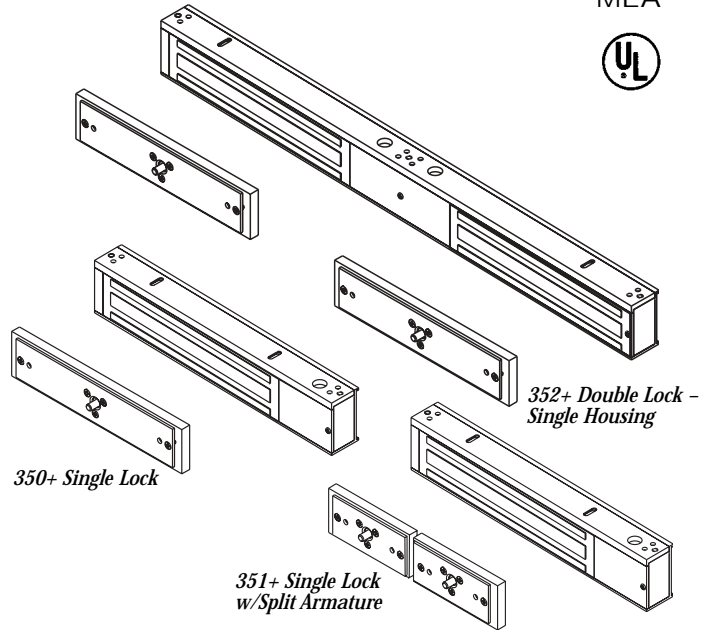
LENGTH	320 SINGLE	322 DOUBLE
WIDTH X HEIGHT	BRACKET NO.	BRACKET NO.
1" x 1"	3201A	3221A
1-1/2" x 1"	3202A	3222A
1-1/2" x 1-1/2"	3203A	3223A
1-1/2" x 2"	3204A	3224A
1-1/2" x 2-1/2"	3205A	3225A

Full Length Housings

DESCRIPTION	LENGTH	PART NO.
Horizontal Single / Field Cut	2'6" to 4'0"	VLH20-3
Horizontal Single / Factory Precut	2'6" to 4'0"	CLH20-3
Horizontal Double / Field Cut	6'8" to 8'0"	VLH22-4
Horizontal Double / Factory Precut	6'8" to 8'0"	CLH22-4
Vertical Single / Field Cut	6'8" to 8'0"	VLH20-5
Vertical Single / Factory Precut	6'8" to 8'0"	CLH20-5
Vertical Double / Field Cut	6'8" to 8'0"	VLH22-6
Vertical Double / Factory Precut	6'8" to 8'0"	CLH22-6

350+ Narrowline Magnet

MEA



The 350+ Narrowline surface mounted electromagnetic lock offers 1200 pounds of direct holding force for doors requiring a high level of security. A new armature housing holds the armature in place, eliminating the noise and sagging known with armatures, increasing the overall reliability of the product.

Certifications: The 350+ exceeds ANSI/BHMA A156.23 Grade 2 standards with 1200 pounds of direct holding force and is UL listed as an auxiliary lock for a 3 hour fire-rated opening.

Specifications

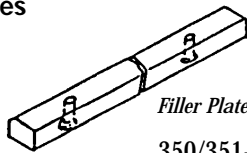
	350+	351+	352+
Holding Force (LBS)	1200	600 Per door leaf	1200 Per door leaf
Input Voltage (STD. UNIT)	12/24 VDC	12/24 VDC	12/24 VDC
Current Draw	.75A@12V	.75A@12	1.50A@12V
Dual Voltage	.38A@24V	.38A@24V	.76A@24V
Field Selectable			
Height	2-1/8"	2-1/8"	2-1/8"
Length	12-1/2"	12-1/2"	25"
Width	1-11/16"	1-11/16"	1-11/16"
Standard Finish	628	628	628

Available options: DSM, MBS, MBS-L1, ATD, ATS, SMTD, RCP,TJ and HDB See page 292 for explanations of options.

350+ Series Installation Accessories

	350+	351+	352+
Top Jamb Brackets for inswinging doors	TJ50	TJ51	TJ52
Herculite Door Brackets	HDB50	NA	HDB52

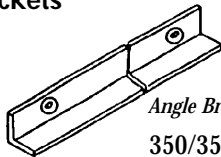
Filler Plates



Filler Plate

LENGTH	350/351+ 12-1/2"	352+ 25"
WIDTH X HEIGHT	PLATE NO.	PLATE NO.
1-1/4" x 1/8"	3501F	3521F
1-1/4" x 1/4"	3502F	3522F
1-1/4" x 3/8"	3503F	3523F
1-1/4" x 1/2"	3504F	3524F
1-1/4" x 5/8"	3505F	3525F
3/4" x 1/2"	3506F	3526F
3/4" x 5/8"	3507F	3527F
3/4" x 3/4"	3508F	3528F

Angle Brackets



Angle Bracket

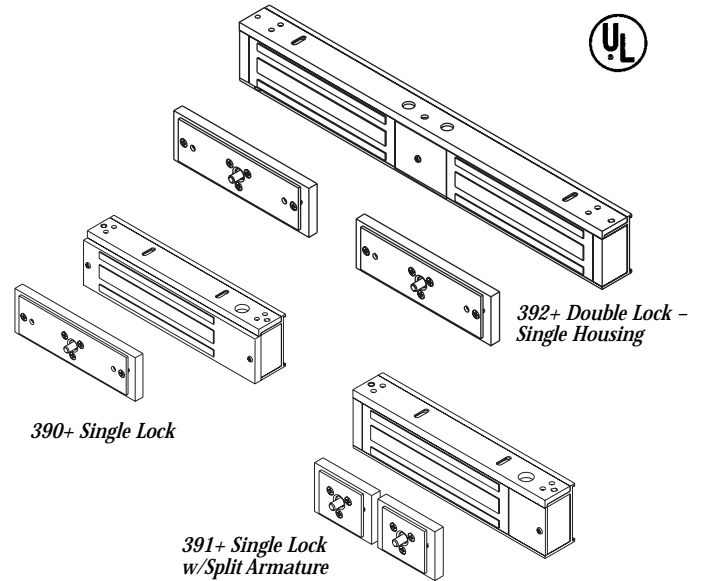
LENGTH	350/351+ 12-1/2"	352+ 25"
WIDTH X HEIGHT	BRACKET NO.	BRACKET NO.
1" x 1"	3501A	3521A
1-1/2" x 1"	3502A	3522A
1-1/2" x 1-1/2"	3503A	3523A
1-1/2" x 2"	3504A	3524A
1-1/2" x 2-1/2"	3505A	3525A

Full Length Housings

DESCRIPTION	LENGTH	PART NO.
Horizontal Single / Field Cut	2'6" to 4'0"	VLH50-3
Horizontal Single / Factory Precut	2'6" to 4'0"	CLH50-3
Horizontal Double / Field Cut	6'8" to 8'0"	VLH52-4
Horizontal Double / Factory Precut	6'8" to 8'0"	CLH52-4
Vertical Single / Field Cut	6'8" to 8'0"	VLH50-5
Vertical Single / Factory Precut	6'8" to 8'0"	CLH50-5
Vertical Double / Field Cut	6'8" to 8'0"	VLH52-6
Vertical Double / Factory Precut	6'8" to 8'0"	CLH52-6

390+ High Security Lock

MEA



The 390+ surface mounted electromagnetic lock with 1650 pounds of direct holding force is ideal for high security applications. A new armature housing holds the armature in place, eliminating the noise and sagging known with armatures, increasing the overall reliability of the product.

Certifications: The 390+ exceeds ANSI/BHMA A156.23 Grade 1 standards with 1650 pounds of direct holding force, is UL listed as an auxiliary lock for a 3 hour fire-rated opening and for burglary resistance.

Specifications

	390+	391+	392+
Holding Force (LBS)	1650	825	1650
		Per door leaf	Per door leaf
Input Voltage (STD. UNIT)	12/24 VDC	12/24 VDC	12/24 VDC
Current Draw	.67A@12V	.67A@12	1.34A@12V
Dual Voltage	.35A@24V	.35A@24V	.70A@24V
Field Selectable			
Height	2-3/4"	2-3/4"	2-3/4"
Length	10-1/2"	10-1/2"	20-5/8"
Width	1-11/16"	1-11/16"	1-11/16"
Standard Finish	628	628	628

Available options: DSM, MBS, MBS-L1, ATD, ATS, SMTD, RCP, TJ, PWM and HDB See page 292 for explanations of options.

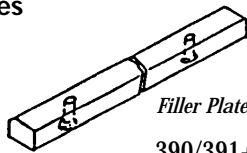
LOCKNETICS

MagForce+ Series

390+ Series Installation Accessories

	390+	391+	392+
Top Jamb Brackets for inswinging doors	TJ90	TJ91	TJ92
Herculite Door Brackets	HDB90	NA	HDB92

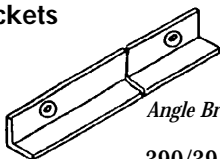
Filler Plates



Filler Plate

	390/391+	392+
LENGTH	10-1/2"	20-5/8"
WIDTH X HEIGHT	PLATE NO.	PLATE NO.
1-1/4" x 1/8"	3901F	3921F
1-1/4" x 1/4"	3902F	3922F
1-1/4" x 3/8"	3903F	3923F
1-1/4" x 1/2"	3904F	3924F
1-1/4" x 5/8"	3905F	3925F
3/4" x 1/2"	3906F	3926F
3/4" x 5/8"	3907F	3927F
3/4" x 3/4"	3908F	3928F

Angle Brackets



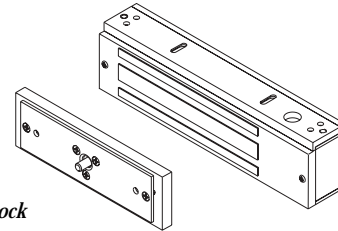
Angle Bracket

	390/391+	392+
LENGTH	10-1/2"	20-5/8"
WIDTH X HEIGHT	BRACKET NO.	BRACKET NO.
1" x 1"	3901A	3921A
1-1/2" x 1"	3902A	3922A
1-1/2" x 1-1/2"	3903A	3923A
1-1/2" x 2"	3904A	3924A
1-1/2" x 2-1/2"	3905A	3925A

Full Length Housings

DESCRIPTION	LENGTH	PART NO.
Horizontal Single / Field Cut	2'6" to 4'0"	VLH90-3
Horizontal Single / Factory Precut	2'6" to 4'0"	CLH90-3
Horizontal Double / Field Cut	6'8" to 8'0"	VLH92-4
Horizontal Double / Factory Precut	6'8" to 8'0"	CLH92-4
Vertical Single / Field Cut	6'8" to 8'0"	VLH90-5
Vertical Single / Factory Precut	6'8" to 8'0"	CLH90-5
Vertical Double / Field Cut	6'8" to 8'0"	VLH92-6
Vertical Double / Factory Precut	6'8" to 8'0"	CLH92-6

390+SM SuperMag



390+SM Single Lock

This magnet features all the benefits and options (except PWM) as the basic 390+ but with the added benefit of 1800 pounds of holding force. All angle brackets, filler plates and Herculite door brackets are the same as the 390+.

Certifications: The 390+SM exceeds ANSI/BHMA A1.156.23 Grade 1 standards with 1800 pounds of direct holding force and is listed as an auxiliary lock for a 3 hour fire-rated opening and for burglary resistance.

Specifications

	390+SM	392+SM
Holding Force (LBS)	1800	1800 per door leaf
Input Voltage (STD. UNIT)	12/24 VDC	12/24 VDC
Current Draw	1A@12VDC	2A@12VDC
Dual Voltage	.5A@24V	1A@24V
Field Selectable		
Height	2-3/4"	2-3/4"
Length	10-1/2"	20-5/8"
Width	1-11/16"	1-11/16"
Standard Finish	628	628

390+SM Series Installation Accessories

	390+SM	392+SM
Top Jamb Brackets for inswinging doors	TJ90-SM	TJ92-SM
Herculite Door Brackets	HDB90	HDB92

MagForce+ Series Options

- **ATD (Adjustable Time Delay):** Controls the relock time of the magnet from 1-30 seconds, ensuring that each opening can be managed to allow flexibility with regards to the population of people who will use the opening.
- **ATS (Anti-Tamper Switch):** Provides an indication that the cover of the magnet is securely fastened to the lock and therefore the on-board circuitry is secure.
- **DSM (Door Status Monitor):** Indicates that the door is open or closed. This can be monitored remotely to provide assurance that the door is closed and therefore properly latched.
- **HDB (Herculite Door Bracket):** Attaches to the top of either a 1/2" or 3/4" Herculite (glass) door to allow mounting of the armature without having to drill through the door, easing installation time, frustration, and cost.
- **MBS/MBS-L1 (Magnet Bond Sensor):** Indicates that proper bond exists between the magnet and the armature and that the door is locked. This can be monitored remotely to provide assurance that the opening is secure. The L1 option provides an LED for visual assurance in the local area.
- **PWM (Powermiser) 390+/392+ Only:** Lowers the power requirement to .16 amps @ 12VDC only, allowing a greater number of magnets to be managed by a single power supply. Holding force of a 390+ Series with PWM is 1200 pounds.
- **RCP (Rectifier):** Allows an AC power source to power a DC configured lock, protecting the lock and eliminating the need to source additional power.
- **SMTD (Signal Module Time Delay):** Provides 0-30 second adjustable time delay for relocking. Includes an audible horn.
- **TJ (Top Jamb Bracket):** For use with in swinging doors

320 Series MiniLine



The 320 Series consists of 2 items: The 320 Pull System and the 320M mortise mount magnet.

Specifications

Holding Force	500 LBS. @ 12V, 650 @ 24V
Input Voltage	12/24 VDC Selectable
Current Draw (AMPS)	0.23 @ 12V, 0.45 @ 24V
Wiring	Wire leads, 12" long
MTG Type	Surface and Concealed

SGL Lock Dimensions	Lock Body	Armature
Height	1-7/8"	1-1/2"
Length	7"	4-1/4"
Width	1-3/8"	5/8"
Pull finishes	628 (Aluminum) and 313 (Dark Bronze)	

** NOTE: Due to the higher operating temperature of this compact miniline lock, it is recommended that only the 12V/.23 amp configuration be used for mortised wood frame applications.*

Options:

- **ATD (Adjustable Time Delay):** Provides delayed relocking from 0 to 30 seconds.
- **DSM (Door Status Monitor):** Provides fully concealed SPDT Switch to indicate door status at remote location.
- **MBS (Magnetic Bond Sensor):** Verifies proper armature contact with magnet face and detects reduced holding power.
- **RCP (Rectifier):** Is used to provide the use of AC power to operate 12V and 24V locks.