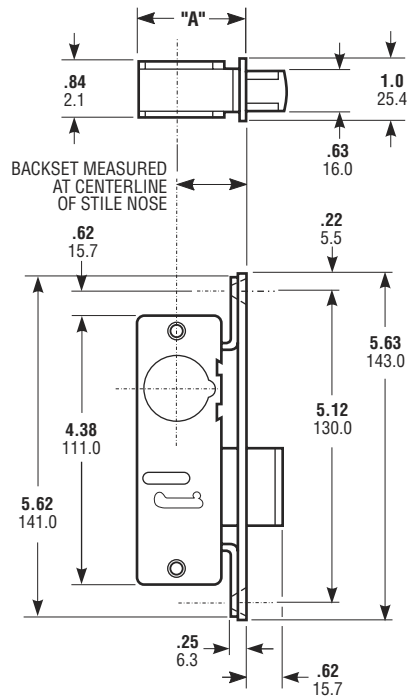


DIMENSIONS

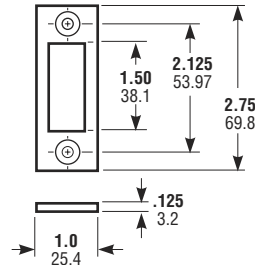
INCHES
MILLIMETERS

Nominal, subject to tolerance extremes.

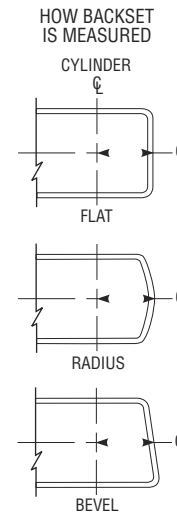


BACKSET	"A"
7/8" 22.2	1.57 39.9
31/32" 24.6	1.63 41.4
1-1/8" 28.6	1.78 45.2

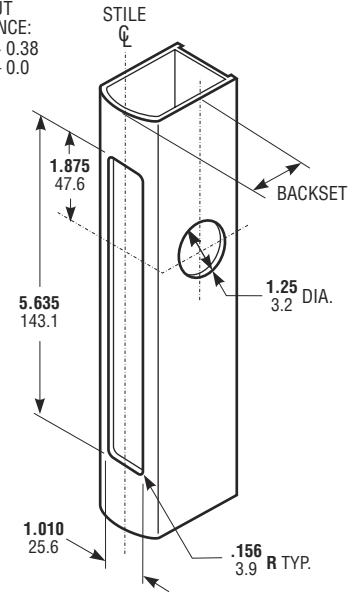
4170 Trim Strike



INSTALLATION



CUTOUT
TOLERANCE:
+ .015 + 0.38
- .000 - 0.0



Stile Preparation



ADAMS RITE MANUFACTURING CO.

260 Santa Fe Street, Pomona, CA 91767
Phone: (909) 632-2300 Fax: (909) 632-2369

4070 Series Short Throw Deadbolt