

Transformer, Rectifier and Piezo Horn

4603 Rectifier

Converts low voltage AC current to DC of same voltage. Installs in low voltage line between transformer and strike. Full wave bridge type. Rated 2 Amps. (200 PIV).

4605 Transformer

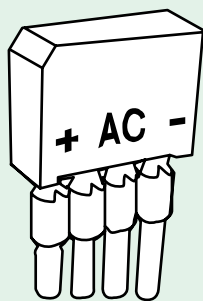
Converts 120VAC to 12VAC/24VAC. Rated 40 Volt-amp output assures plenty of power for strike release.

4606 Plug-In Transformer

Converts 120VAC current to 24VAC. Plugs into standard wall outlet.

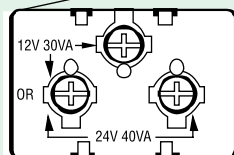
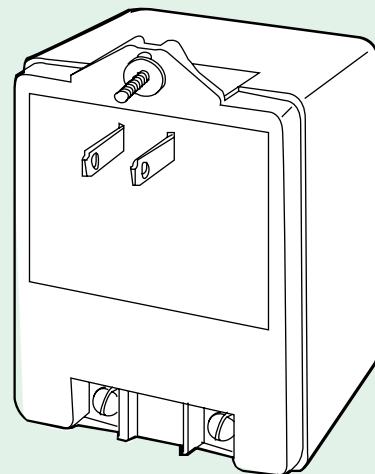
29-0218 Piezo Horn

Provides for audible indication of when a DC strike is energized. Operates with 12 VDC, 16 VDC, or 24 VDC strikes.

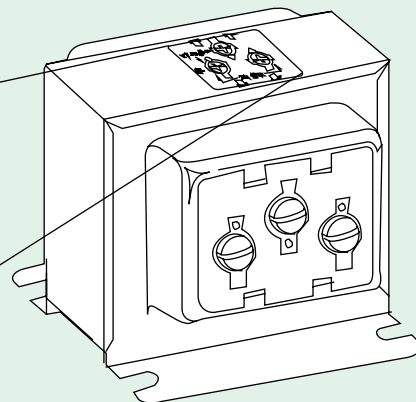


4603
RECTIFIER

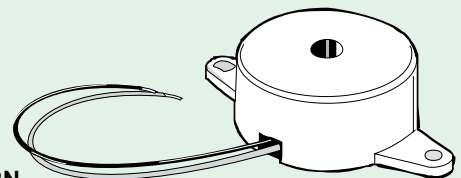
4606 PLUG-IN
TRANSFORMER



4605
TRANSFORMER



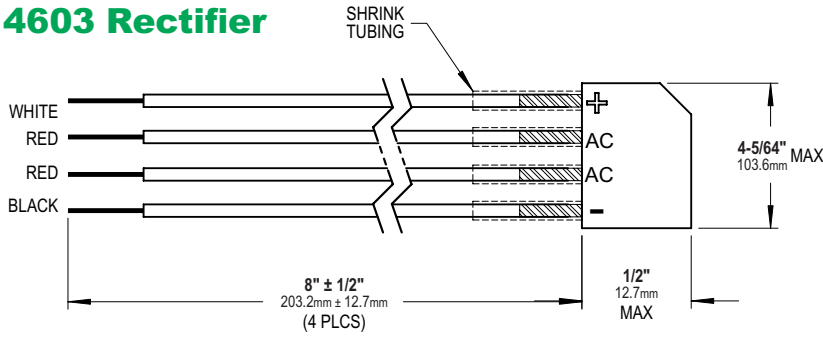
29-0218
PIEZO HORN



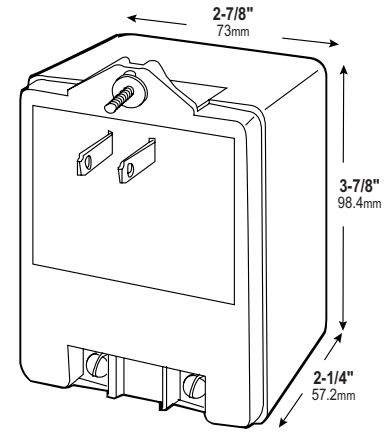
All measurements are approximate and are provided for informational purposes only. Refer to the product Installation Instructions.

Dimensions

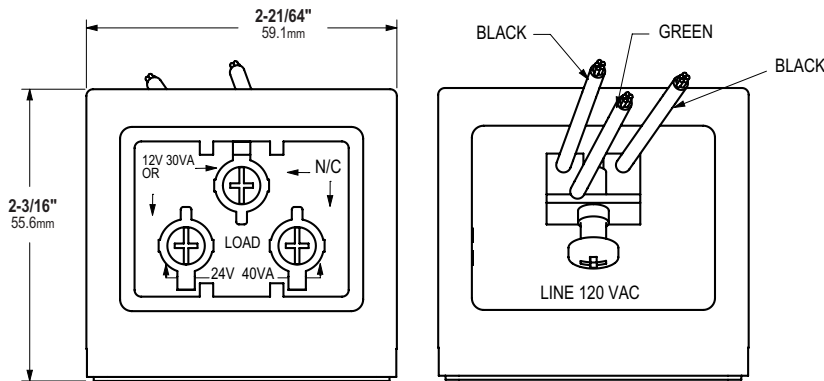
4603 Rectifier



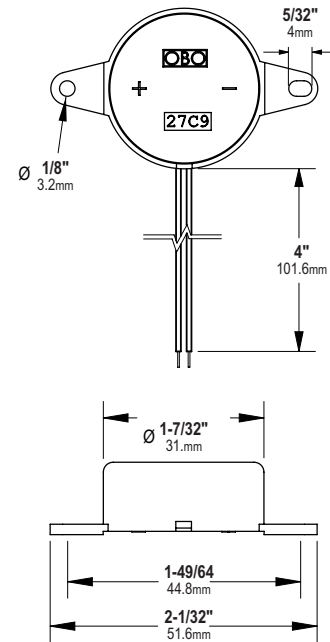
4606 Plug-In Transformer



4605 Transformer



29-0218 Piezo Horn



HOW TO ORDER 4603, 4605, 4606 RECTIFIER, TRANSFORMER

Specify quantity and the following information. Order related products separately.

	ACCESSORY
460	3
	3 Rectifier
	5 Transformer
	6 Transformer (plug in)

RELATED PRODUCTS

When purchasing this product, please consider the following related products, available separately:

Power

PS-1, PS-SE, PS-LR, and 4612 Power Transfer Device.

COMPATIBLE PRODUCTS

This product is compatible with the following products:

Deadlatches

4300 Electrified Deadlatch.

Electric Strikes

7100, 7200, 7400 Series Electric Strikes.

Trim

3080 Entry Trim.