

4560, 4565 Deadlatch Handles

The 4560 and 4565 Deadlatch Handles easily unlock the 4300, 4500 and 4900 Series Deadlatches. These handles fit solidly into the cylinder hole of the latch.

Function

Designed to operate 4300, 4500 and 4900 Series Deadlatches by a natural downward hand movement, these handles incorporate an activator cam disc that mounts on the handles escutcheon and fits solidly into the cylinder hole of the latch. Not intended for use as a door pull.

Specifications

4560 HANDLE

- ADA Compliant lever is shaped to fit the hand, with a concave thumb-rest portion that tends to keep knuckles and thumb safely away from the jamb, even on a short backset narrow stile.

4565 HANDLE

- Thumbturn of minimum practical length is designed to offer a firm grip to the fingertips. Ideal for doors where the latch is operated infrequently or in emergencies only.

ESCUTCHEONS

- Both handles shown here use the same 1-3/8" x 4" escutcheon, designed to match the clean lines of a narrow stile door. A 1/4" square heat-treated spindle is part of escutcheon assembly, which interlocks with the cam plug. Finished to match lever.

CAM PLUGS

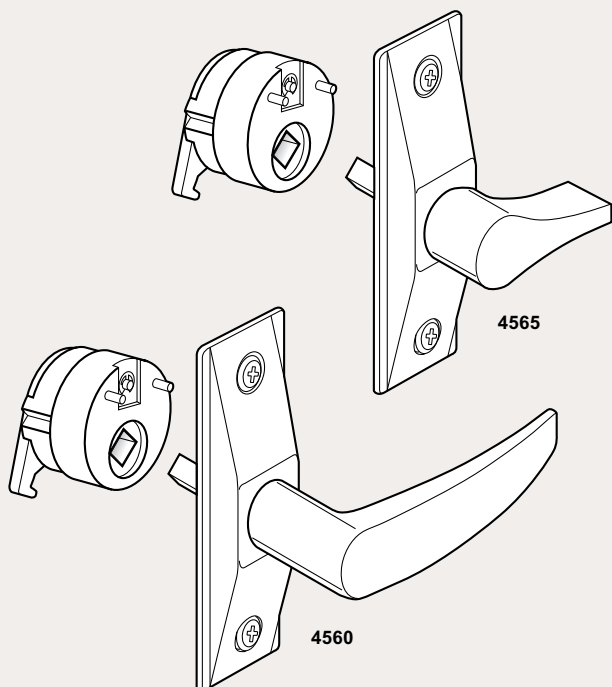
- Secured in latch body by cylinder setscrew, the plug is also rigidly tied to handle escutcheon by hardened steel pins. Handing can be reversed by removing a spring clip, reversing the cam, and replacing the clip.

OPTIONS

- Can be ordered for left or right hand door, but is easily reconfigured in the field to accommodate either door swing. The standard handles shown are for 1-3/4" thick doors. Available on special order for doors up to 3-1/4".

STANDARD PACKAGE

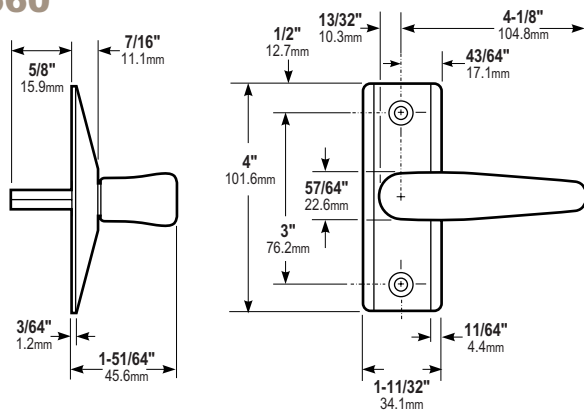
- Individually bagged and bulk-packed in cartons, up to 100 per carton.



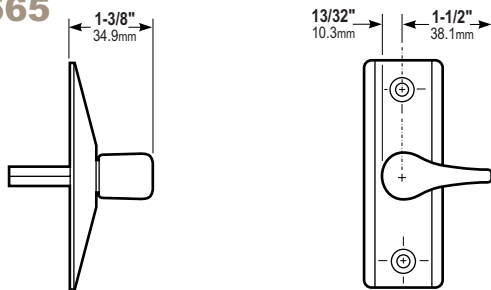
All measurements are approximate and are provided for informational purposes only. Refer to the product Installation Instructions.

Dimensions

4560



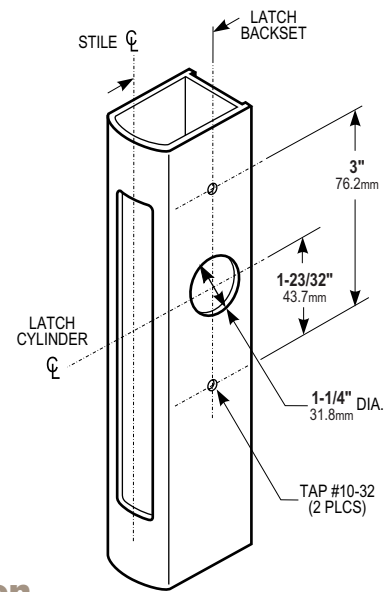
4565



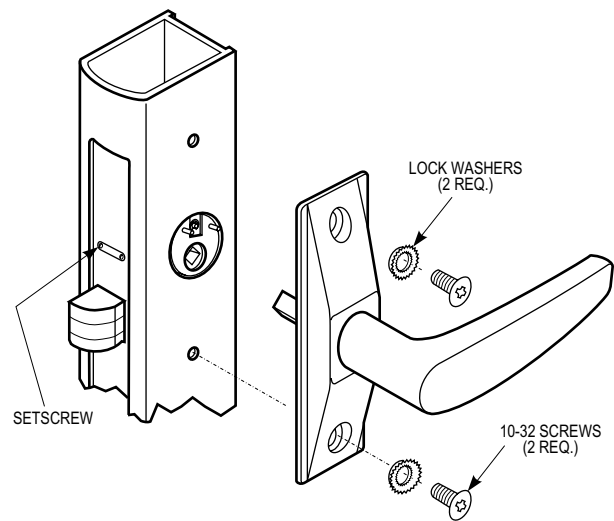
REVERSIBLE 4580 CAM DISC

- Included with 4560, 4565 handles.
- Required to operate 4500 / 4900 / existing 4700 series latches.

Narrow Stile Preparation



Installation



HOW TO ORDER 4560, 4565 DEADLATCH HANDLES

Specify quantity and the following information. Order related products separately.

PRODUCT NO.	HANDLE TYPE	HANDING	DOOR THICKNESS		RITECOAT FINISH
456	0	-5	01		-130
	0 Lever	0 Using MS+1890	For 4300, 4500, 4900 Series Deadlatches		119 To match 335 Black Anodized
	5 Turn	5 LH or LHR	01 1-3/4" to 2"	For MS+1890	121 To match 313 Dark Bronze Anodized
		6 RH or RHR	02 2-1/4" to 2-1/2"	12 1-3/4" to 2-1/4"	130 To match 628 Clear Anodized
			03 2-3/4" to 3"	13 2-5/16" to 2-3/4"	
			04 3-1/4"		

COMPATIBLE PRODUCTS This product is compatible with the following products:

Deadlatches

- 4300 Electrified Deadlatch
- 4500 Series Standard Duty Deadlatch
- 4900 Series Heavy Duty Deadlatch