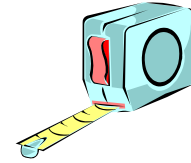




# IMPORTANT



Templates must be printed without size modifications and verified for dimensional accuracy.

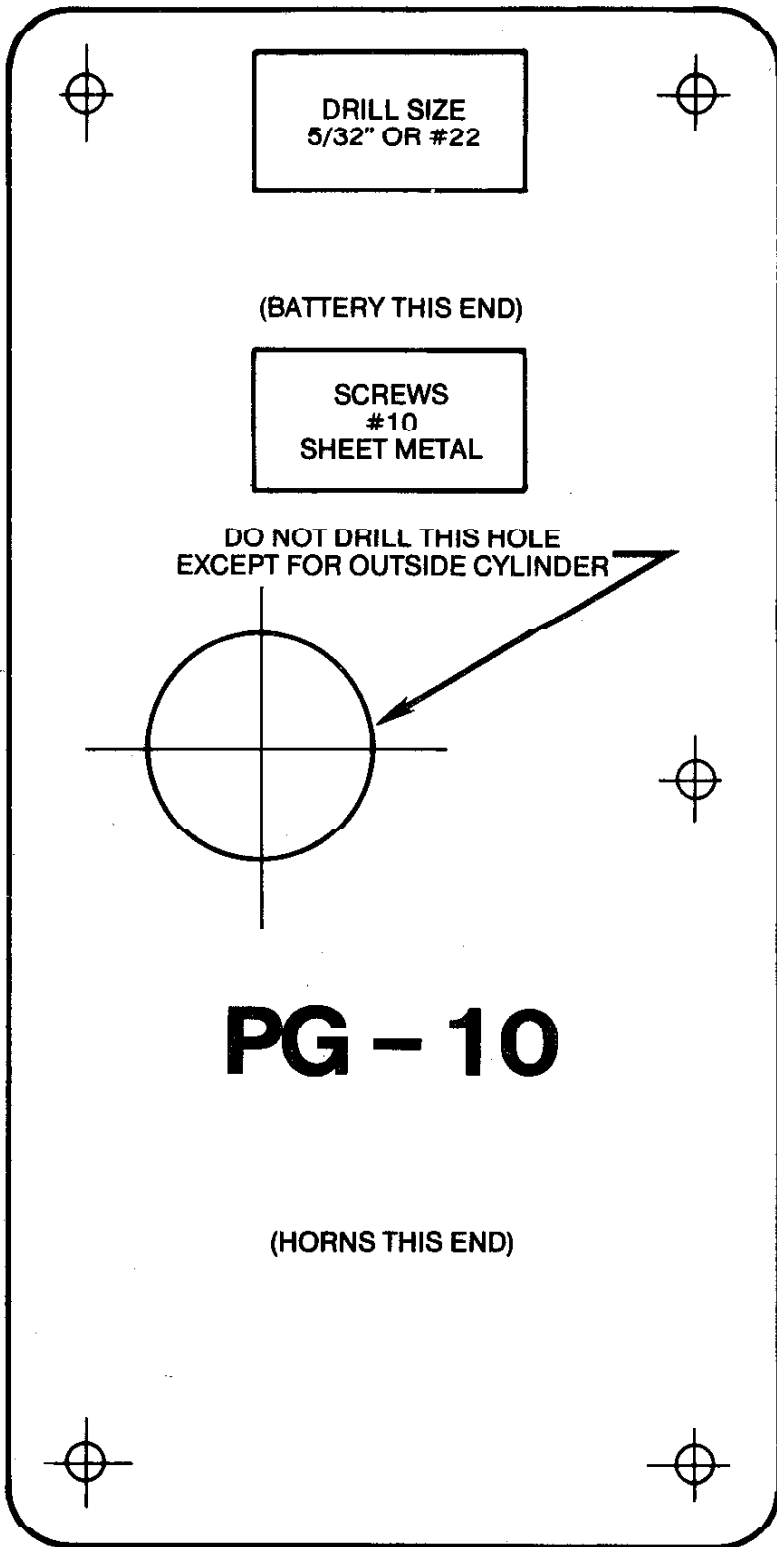
- Before printing, select the printing options necessary to ensure that copies are produced without size adjustments.
- After printing, measure the dimensions indicated on the template to ensure correct scale.

# INSTALLATION TEMPLATE

**ONLY** 

FOR SINGLE OUTSWINGING DOORS  
RIGHT OR LEFT HAND - ALSO TOP MOUNT

 **ONLY**



FOLD UP ON SOLID LINE AND  
HOLD AGAINST DOOR AND STOP




MARK FOR ALARM  
AND ACTUATOR



**ALARM LOCK CORPORATION**

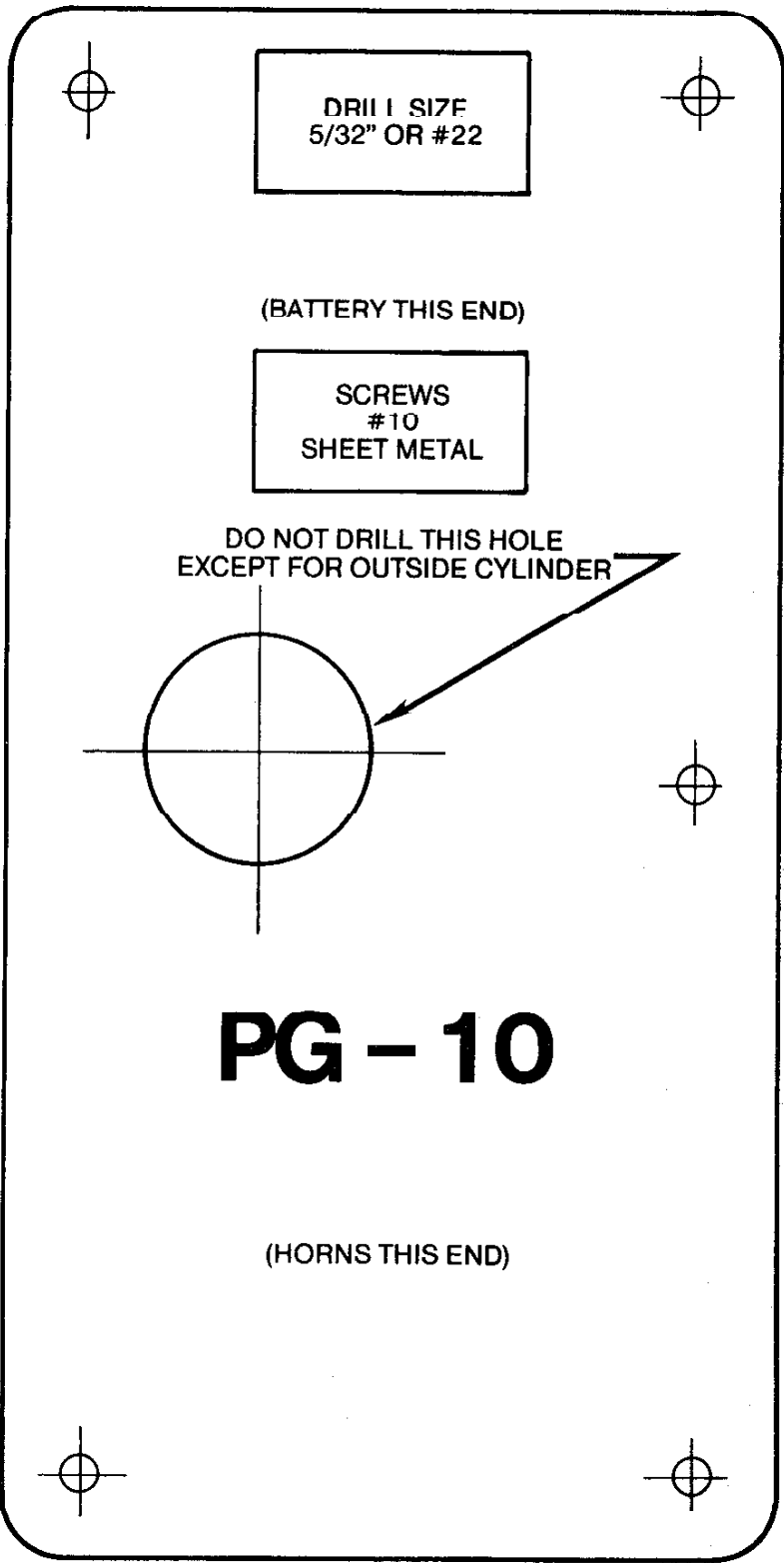
333 BAYVIEW AVE. AMITYVILLE, N. Y. 11701

# INSTALLATION TEMPLATE

**ONLY** 

FOR PAIRS OF OUTSWINGING DOORS  
FOR PAIRS OF INSWINGING DOORS  
FOR SINGLE INSWINGING DOORS  
RIGHT OR LEFT HAND

 **ONLY**



LAY FLAT ON DOOR WITH SOLID LINE  
EDGE OF INACTIVE DOOR (OR DOOR FRAME)



DO NOT FOLD UP  
USE FLAT ON DOOR