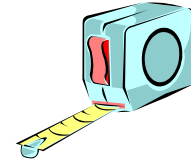




IMPORTANT



Templates must be printed without size modifications and verified for dimensional accuracy.

- Before printing, select the printing options necessary to ensure that copies are produced without size adjustments.
- After printing, measure the dimensions indicated on the template to ensure correct scale.

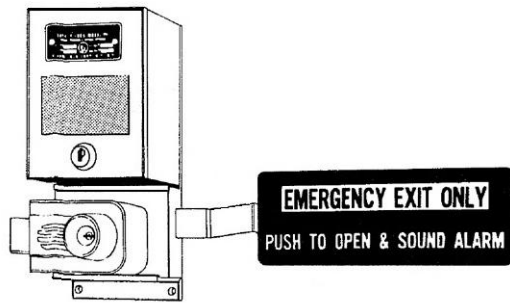


ALARM LOCK

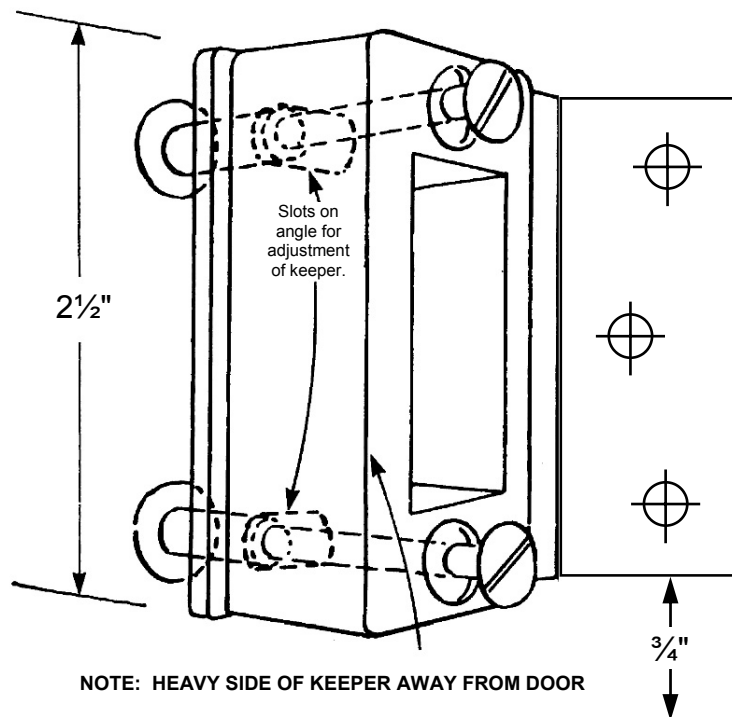
345 Bayview Avenue
Amityville, New York 11701
For Sales and Repairs 1-800-ALA-LOCK
For Technical Service 1-800-645-9440

(Note: Technical Service is for security professionals only)
Publicly traded on NASDAQ Symbol: NSSC

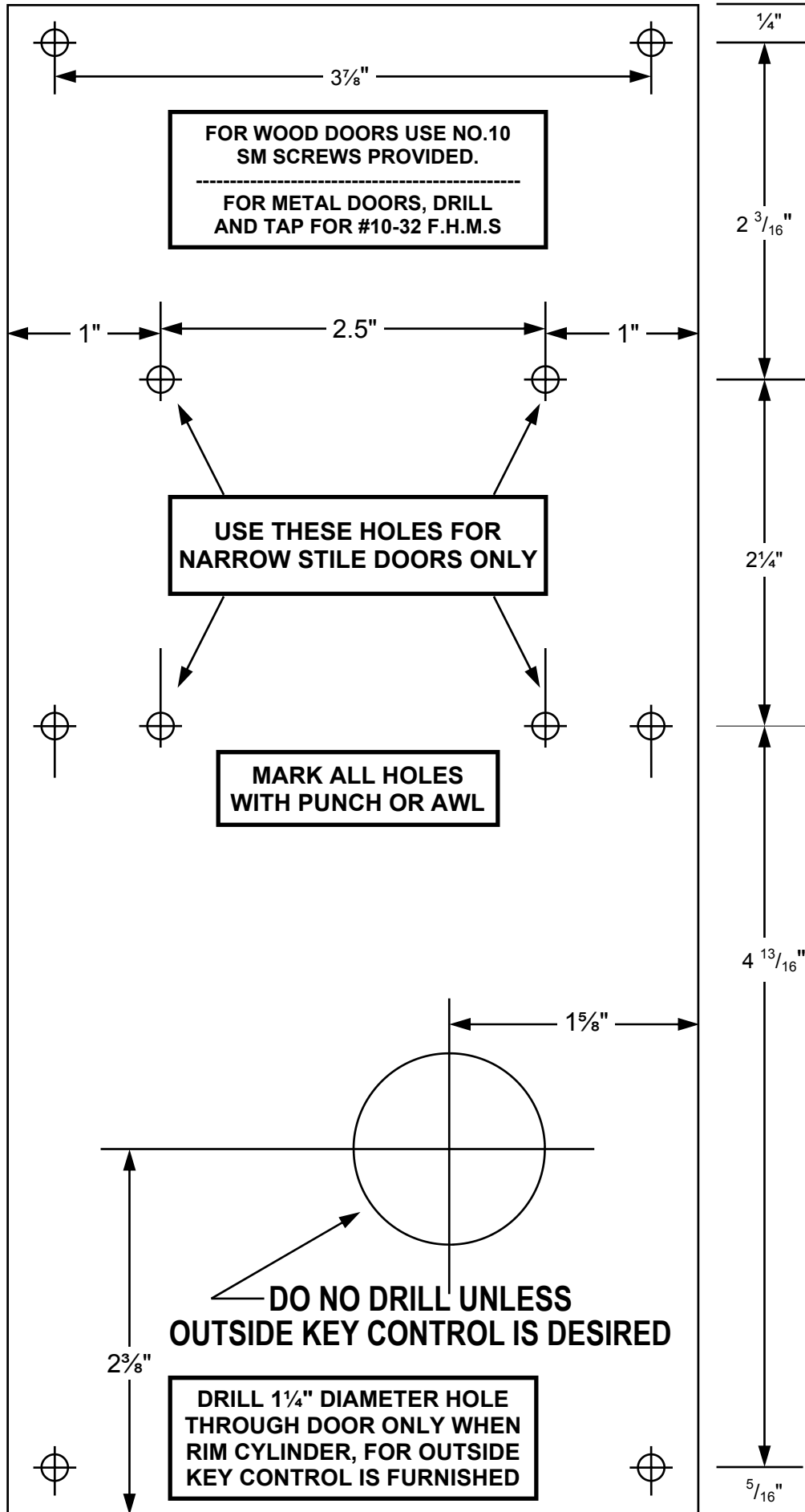
**SENTRYGARD
ALARM LOCK
MODEL 11A**



**KEEPER AND PLATE
DO NOT MORTISE**



FOR SINGLE DOORS...HOLD DOTTED LINE ON EDGE OF JAMB. FOR DOUBLE DOORS...HOLD DOTTED LINE ON EDGE OF INACTIVE DOOR.



(THIS TEMPLATE RARELY USED)

**INSTALLATION TEMPLATE FOR L.H. IN-SWINGING SINGLE OR DOUBLE DOORS WITH ADJUSTABLE ANGLE KEEPER
SEE REVERSE SIDE FOR RIGHT HAND INSTALLATION**

INSTALLATION INSTRUCTIONS

THIS IS A NEW ALARM BOX AND NEED NOT BE REMOVED FROM THE MOUNTING PLATE

OPEN ALARM BOX AND REMOVE BATTERY. USING SIX (6) #10 SCREWS PROVIDED, MOUNT THE LOCK TO THE DOOR. (NOTE: FOUR (4) OF THE MOUNTING HOLES ARE INSIDE OF THE ALARM BOX). REPLACE BATTERY AND CLOSE THE COVER OF THE ALARM BOX.

TO REVERSE HAND OF LOCK

FROM REAR OF MOUNTING PLATE, REMOVE THE 4 SCREWS HOLDING ENTIRE LOCK MECHANISM. TURN ENTIRE LOCK MECHANISM AROUND AND REPLACE SCREWS. REVERSE CLAPPER PLATE.

IMPORTANT!

WHEN PRINTING THIS TEMPLATE FROM A .PDF FILE, ALWAYS SELECT PRINTING OPTIONS TO ENSURE THAT COPIES ARE PRODUCED **WITHOUT** SIZE ADJUSTMENTS.

AFTER PRINTING, VERIFY THE DIMENSIONS OF THIS BOX ARE 2.000 x 2.000 INCHES ± 0.010.

(THIS TEMPLATE RARELY USED)

INSTALLATION TEMPLATE FOR R.H. IN-SWINGING SINGLE OR DOUBLE DOORS WITH ADJUSTABLE ANGLE KEEPER SEE REVERSE SIDE FOR LEFT HAND INSTALLATION

INSTALLATION INSTRUCTIONS

THIS IS A NEW ALARM BOX AND NEED NOT BE REMOVED FROM THE MOUNTING PLATE

OPEN ALARM BOX AND REMOVE BATTERY. USING SIX (6) #10 SCREWS PROVIDED, MOUNT THE LOCK TO THE DOOR. (NOTE: FOUR (4) OF THE MOUNTING HOLES ARE INSIDE OF THE ALARM BOX). REPLACE BATTERY AND CLOSE THE COVER OF THE ALARM BOX.

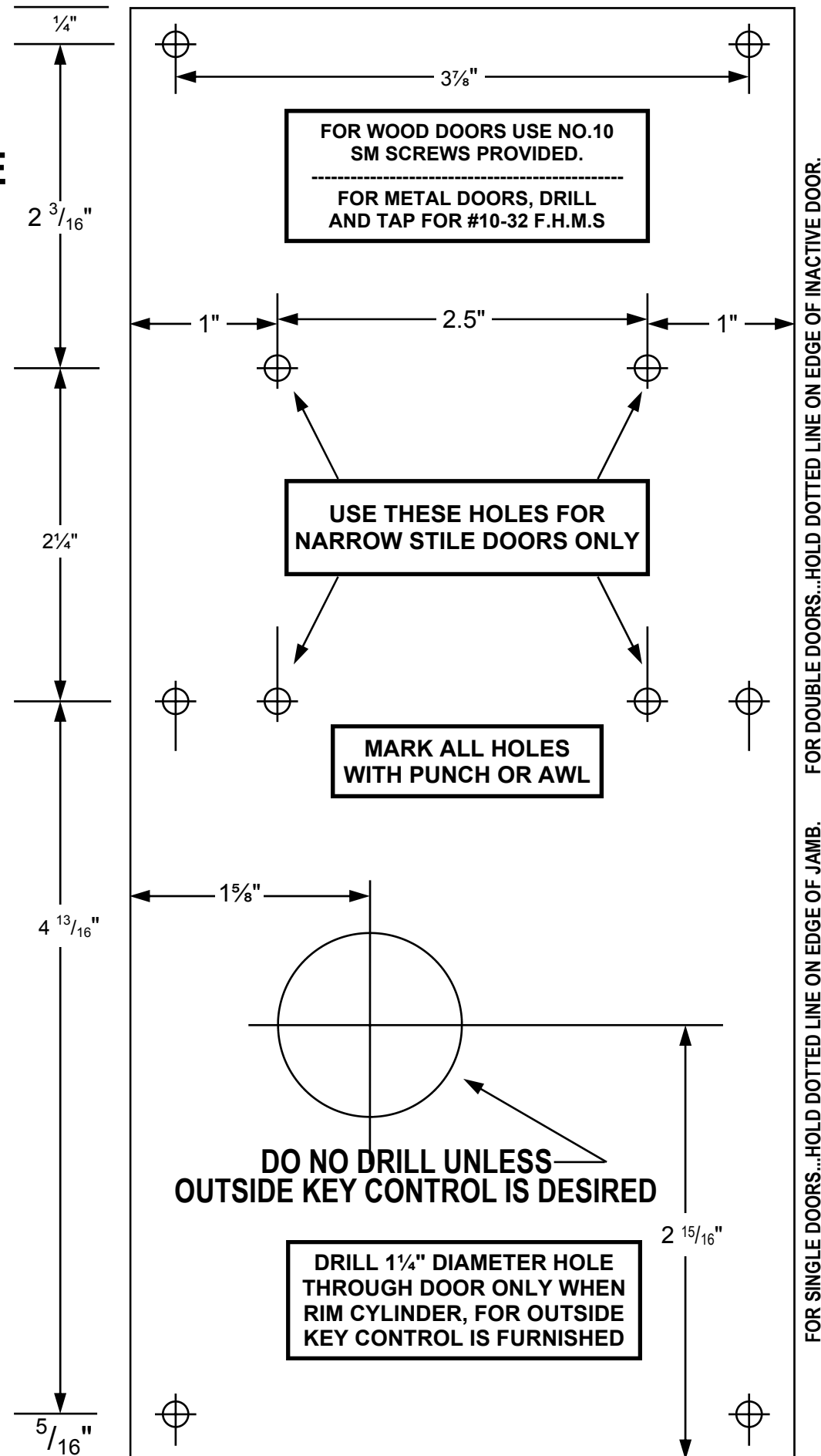
IMPORTANT!

WHEN PRINTING THIS TEMPLATE FROM A .PDF FILE, ALWAYS SELECT PRINTING OPTIONS TO ENSURE THAT COPIES ARE PRODUCED WITHOUT SIZE ADJUSTMENTS.

AFTER PRINTING, VERIFY THE DIMENSIONS OF THIS BOX ARE 2.000 X 2.000 INCHES ± 0.010.

TO REVERSE HAND OF LOCK

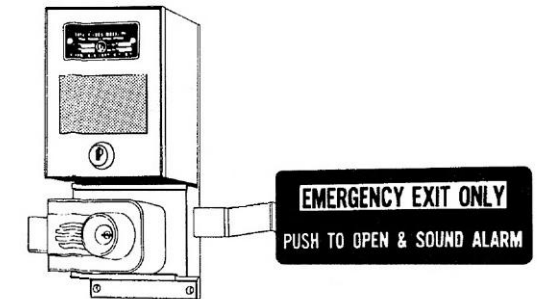
FROM REAR OF MOUNTING PLATE, REMOVE THE 4 SCREWS HOLDING ENTIRE LOCK MECHANISM. TURN ENTIRE LOCK MECHANISM AROUND AND REPLACE SCREWS. REVERSE CLAPPER PLATE.



ALARM LOCK
345 Bayview Avenue
Amityville, New York 11701

For Sales and Repairs 1-800-ALA-LOCK
For Technical Service 1-800-645-9440
(Note: Technical Service is for security professionals only)
Publicly traded on NASDAQ Symbol: NSSC

SENTRYGARD ALARM LOCK MODEL 11A



**KEEPER AND PLATE
DO NOT MORTISE**

