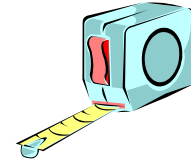




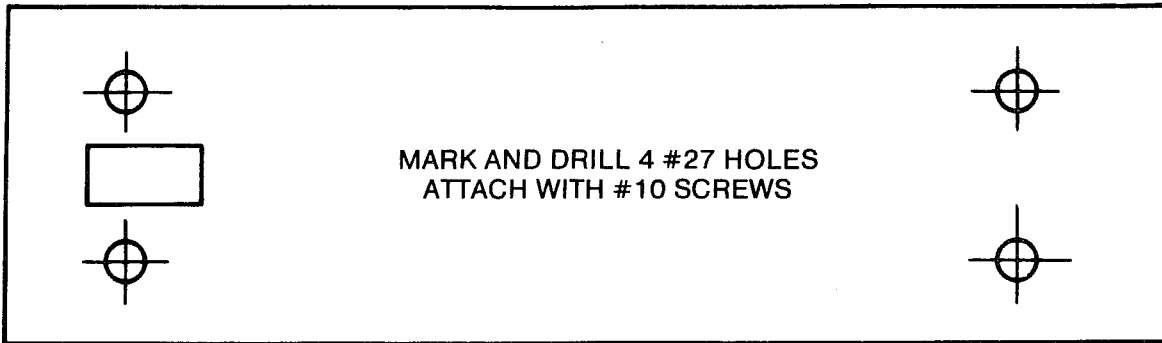
IMPORTANT



Templates must be printed without size modifications and verified for dimensional accuracy.

- Before printing, select the printing options necessary to ensure that copies are produced without size adjustments.
- After printing, measure the dimensions indicated on the template to ensure correct scale.

INSTALLATION TEMPLATE FOR #103 & #104 LEKTROLOK



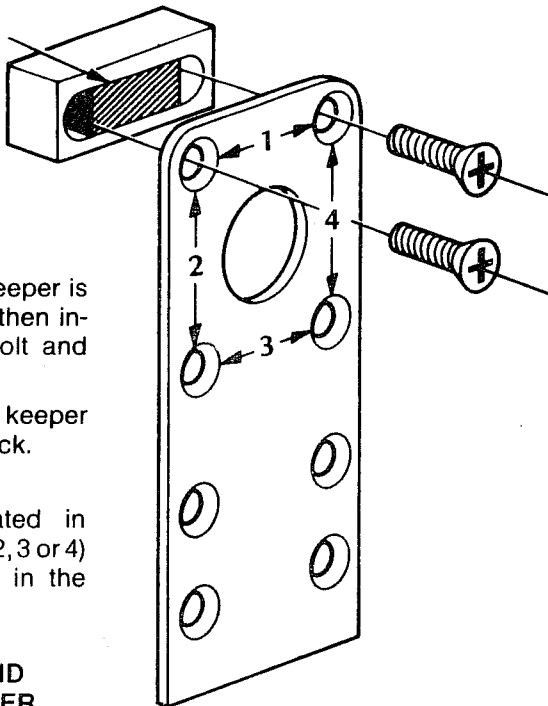
RIGHT HAND

FOLD 90° ON DOTTED LINE

HEADER
DOOR

FLUSH AND MORTISE KEEPER INSTALLATION

MAGNET



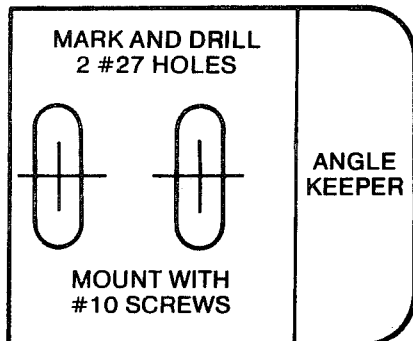
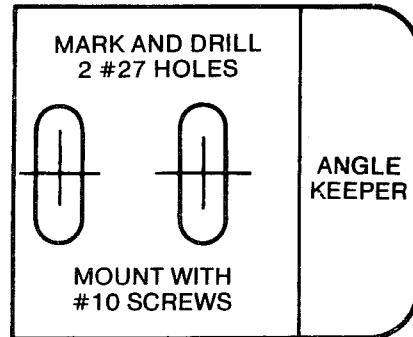
When mortise or flush keeper is used attach keeper first then install lock so that the bolt and keeper are aligned.

Install magnet on mortise keeper using small retaining block.

NOTE

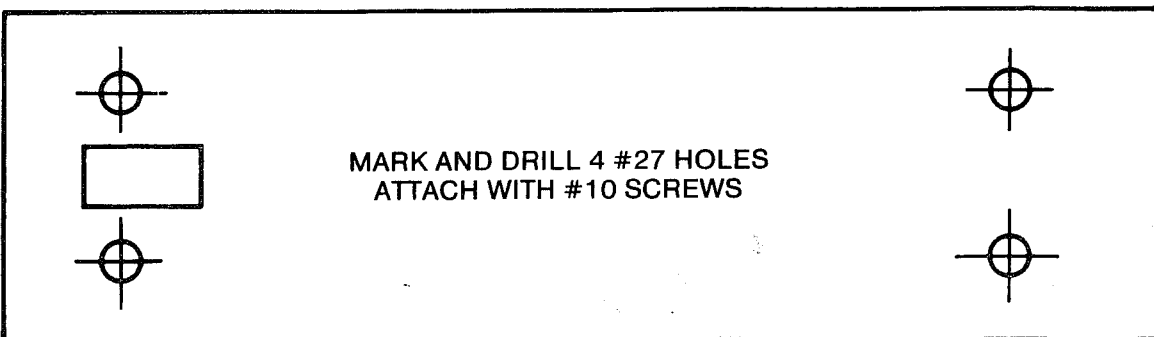
Magnet must be located in proper position (either 1, 2, 3 or 4) next to the reed switch in the lock.

USE #30 DRILL AND
ATTACH THIS KEEPER
WITH 4 #8 SCREWS



FOLD 90° ON DOTTED LINE

DOOR
HEADER



LEFT HAND